

New 1969 color killer circuits

60c ■ FEB. 1969

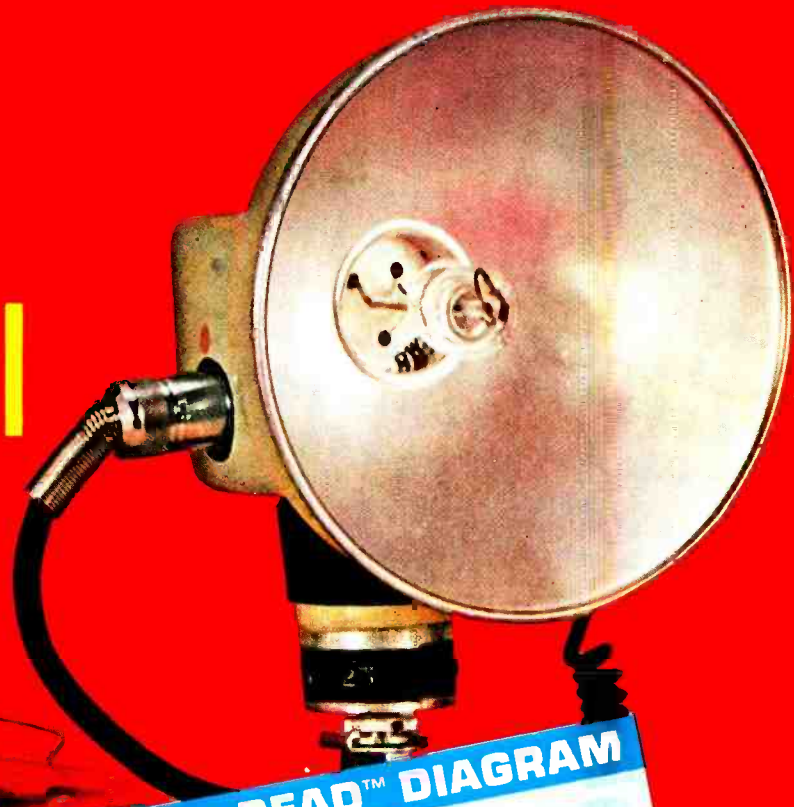
Radio-Electronics®

TELEVISION • SERVICING • HIGH FIDELITY

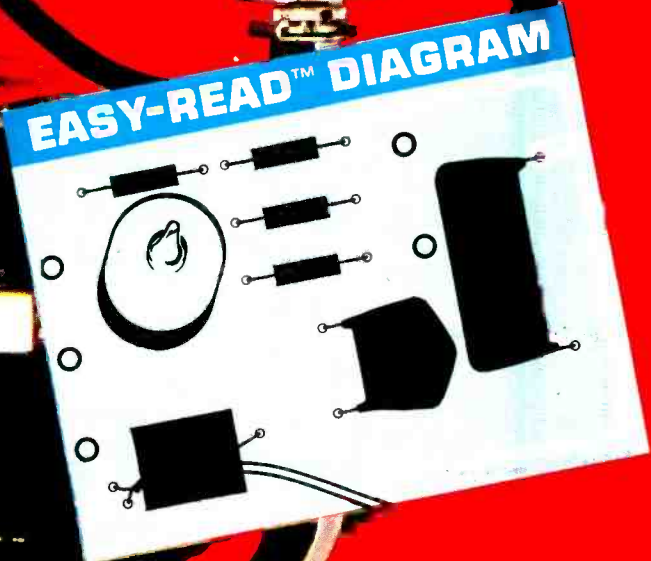


IC electronics for shutterbugs How to outwit electronic snoopers

BUILD R-E's HIGH OUTPUT Professional Electronic Flash



02
4
W H DELSCHLAGER
BX 245
BROWNS MILLS NJ 08015



RETAILER: SEE PAGE 100 FOR SPECIAL DISPLAY ALLOWANCE



It's a color bar generator, too.

You're looking at the only tube tester that can check out almost every receiving tube and throw an alignment signal into the picture tube.

It's a combination tube tester and color bar generator.

So now all you need is a single instrument to do two of your most important servicing jobs: Make sure the tubes in a set are good. And make the adjustments you need to get a good, sharp picture on color and black-and-white TV sets.

We built it like a brick. (After you've carried it through a thousand doorways, you'll know why.)

And we've done everything to make it accurate and stable.

The new instrument starts off with a regulator-type transformer that doesn't give a hoot how the line voltage

is acting up. (It doesn't even need a fuse.) There are 73 tube sockets that let you run all kinds of tests on all kinds of tubes. All you have to do is set 3 knobs. You can even check each section of a multi-section tube separately.

The color bar generator is all solid state. It puts out 6 crystal-controlled, rock-stable test patterns: 10 color bars, a clear raster, 10 vertical lines, 13 horizontal lines, 130 dots and a 10 x 13 crosshatch. All operating and calibration controls are right in front of you on the panel.

Putting both instruments into one package also gives you a small bonus.

It leaves your other hand free to carry something else.

For more information, see your Sylvania distributor or write to: Sylvania, CADD, 1100 Main Street, Buffalo, N.Y. 14209.

SYLVANIA
A DIVISION OF
GENERAL TELEPHONE & ELECTRONICS
Circle 8 on reader service card

Earn Your DEGREE in Electronics!

This is the "electronics age." Advancements in electronics are coming, one on top of another, so rapidly that the *average technician* cannot stay abreast of the changes. But *some* technicians — those who thoroughly understand fundamental principles — *are* able to stay up with these changes, and they make top pay because of their special ability.

Is *your* electronics knowledge obsolescent? If so, nothing can make you obsolete so quickly as to neglect the study of basic concepts and fundamental principles.

Upgrade Your Knowledge and Earn Your Degree

Grantham's strong-foundation educational program in electronics leads to non-obsolescent skills — to skills based more on reasoning than on merely doing — and leads first to the Associate and then to the Bachelor of Science Degree.

The Grantham Engineering Degree Program in electronics places heavy stress on fundamental concepts of logic and mathematics rather than on superficial manipulative skills. Since these fundamental ideas are largely unfamiliar to many electronics technicians, it is necessary to develop them in a systematic manner.

Get Your FCC License Along The Way

You have heard and read, over and over again, about how important an FCC license is to your success in electronics. It is certainly true that an FCC license is important — sometimes essential — but it's not enough! Without further education, you can't make it to the top. Get your FCC license without fail, but don't stop there. To prepare for the best jobs, continue your electronics education and get your degree.

This kind of thinking makes good common sense to those who want to make more money in electronics. It also makes good common sense to prepare for your FCC license with the School that gives degree credit for your license training — and with the School that can then take you from the FCC license level to the DEGREE level. The first *two semesters* of the 7-semester Grantham degree curriculum prepare you for the first class FCC license and radar endorsement.

Grantham School of Electronics

1505 N. Western Ave. 818 18th Street, N.W.
Hollywood, Calif. 90027 or Washington, D.C. 20006

Telephone:
(213) 469-7878

Telephone:
(202) 298-7460

Circle 9 on reader service card

Accreditation, and G.I. Bill Approval

Grantham School of Electronics was established in Hollywood, California in 1951, and the Eastern Division of the School was opened in Washington, D.C. in 1955.

The School is *approved* in California by the California State Department of Education, is *approved* in the District of Columbia by the D.C. Board of Education, is *approved* under the "Cold War G.I. Bill" to offer resident courses in Hollywood and Washington and correspondence courses from Hollywood, is *accredited* by the Accrediting Commission of the National Home Study Council, and is *authorized* under the laws of the State of California to grant academic degrees.

The Grantham Engineering Program

The entire Grantham Electronics Engineering Curriculum consists of seven semesters (or sections), as listed below. The first six semesters lead to the Associate in Science Degree, and Semester 7 (together with transfer credits in "the humanities") lead to the Bachelor of Science Degree.

Semester 1 — Basic Electronics Technology
(80 lessons, by correspondence or in residence)

Semester 2 — Communications Circuits and Systems
(80 lessons, by correspondence or in residence)

Semester 3 — Electronics Laboratory
(16 weeks, in residence in Hollywood or Washington — or credit may be given for at least one year of practical experience)

Semester 4 — Physics, Engineering Analysis, & Computers
(80 lessons, by correspondence)

Semester 5 — Analytic Geometry and Calculus
(80 lessons, by correspondence)

Semester 6 — Solidstate Physics, Circuit Design, and Technical Writing
(80 lessons, by correspondence)

Review & Exam — Review and Comprehensive Examination on Semesters 1 thru 6, for the Associate in Science Degree
(two-week resident class, meeting in Hollywood)

Semester 7 — Advanced Electronics Engineering
(16-week resident class, meeting in Hollywood)

Transfer Credits — Certain credits in English, Social Studies, etc., in addition to Grantham Semesters 1 thru 7, are required for the *Bachelor of Science Degree in Electronics Engineering*.

Mail the coupon below for our free Bulletin.

Grantham School of Electronics EE-2-69	
1505 N. Western Ave., Hollywood, Calif. 90027	
Please mail me your free Bulletin, which explains how the Grantham educational program can prepare me for my FCC License, my Associate in Science Degree, and my Bachelor of Science Degree in Electronics Engineering. I understand no salesman or counselor will call.	
Name _____	Age _____
Address _____	
City _____	State _____ Zip _____

NEW & TIMELY

Volume 40 Number 2

RADIO-ELECTRONICS

February 1969

One-Tube Color-TV Camera From RCA

Washington, D.C.—A new low-cost, one-tube color TV camera was recently unveiled by RCA at a National Association of Educational Broadcasters convention.

The new cameras will be priced from \$6500 to \$10,000—about half the cost of three-tube closed-circuit cameras now on the market. Lowered cost will expand use of color systems in education, industry and cable TV.

Color-encoding filters, ex-



perimentally studied for several years, are used in the camera. Light from the scene passes through striped red and blue color filters positioned 45° to one another. These filters detect the red and blue component, leaving the green (luminance) component when subtracted from the whole image. The vidicon scans the red-blue-green image, and resulting signal is converted into standard NTSC.

The new cameras will be available late this year.

New Radiation Standards Set

Washington, D.C.—Standards for hazardous radiation from commercial electronic products are now under federal study. New legislation directs the Secretary of Health, Education and Welfare to set and control radiation standards for all kinds of electronic products.

The new law grew out of federal investigations that revealed dangerous radiation leakage and potential hazards in a number of products. In addition to excessive X-ray radiation from some color TV sets, studies showed that 24 of 30 microwave ovens at a U.S. medical center leaked potentially hazardous radiation, that about two-thirds of some 112,000 X-ray machines did not meet current standards, and that dangerous lasers are readily available to the general public.

IN THIS ISSUE

Want to experiment with IC's? Make sure you read Jim Ashe's article on using the PA-222. This little plastic-package IC audio amplifier is pure fun. The story's packed full of tips, techniques and circuits too.

LOOKING AHEAD

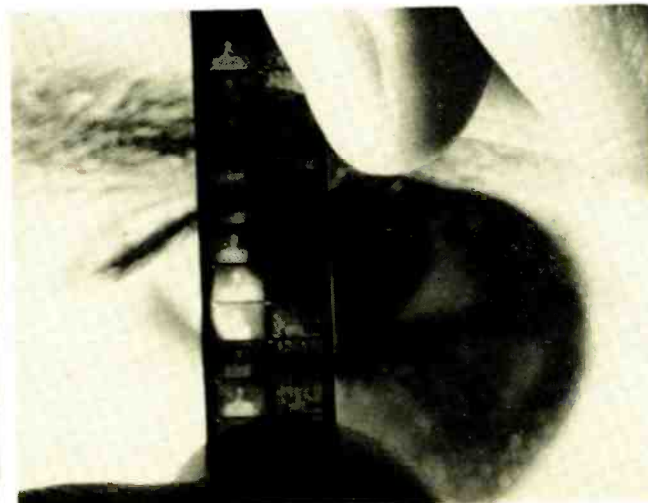
By DAVID LACHENBRUCH
CONTRIBUTING EDITOR

EVR—what it means

With fanfare befitting a television network, the Columbia Broadcasting System has officially launched its Electronic Video Recording (EVR) and duly forecast that its impact on education and home entertainment will be revolutionary.

The ingenious system, developed by a team under CBS Laboratories President Dr. Peter Goldmark, who 20 years ago gave the world the long-playing record, is described as the sight-and-sound equivalent of the LP disc. Using film in an unconventional manner, it's a playback—only medium which may give the proposed home

(continued on page 6)



NEW POWER FOR HEARTS

Philadelphia, Pa.—Help for users of electronic cardiac pacers is on the way in the form of new pacers that can be recharged through the skin. Current models either must be removed surgically to replace worn batteries, or recharged through permanently attached wires that can irritate skin and cause infection.



The pacer above was developed at ESB Incorporated, a Philadelphia battery company, and contains an induction coil that works in conjunction with a nickel-cadmium battery. A charging unit can be installed in a vest and used to recharge the pacer while the patient moves about, or the charger may be plugged into a wall socket. Recharging, required once a month, takes about 8 hours.

A similar technique has been developed by New York University scientists for transferring enough power through skin tissue to operate an artificial heart if one is installed in a human. Power is transmitted by induction between two ferrite-core disk transformers at frequencies between 3 and 30 kHz. Up to 30 watts of energy can be transmitted.

Both devices have been tested in animals, but have not been implanted in humans.

(turn page)

STORING 3-D PIX

Two new techniques for storing holograms—3-D photos made with lensless laser photography—have sped up the storage process, and made it possible to store 1000 times more digital or pictorial data than with conventional holographic materials.

Using a sugar-cube size crystal of lithium niobate, Bell Labs scientists have discovered that 1000 different holograms can be stored in a single crystal.

To store a hologram, a laser beam is split into a reference beam, which shines directly on the crystal, and an object beam that first shines through a hologram transparency of the page or object. Interference patterns between the two beams create an internal electric field in the crystal that changes its re-

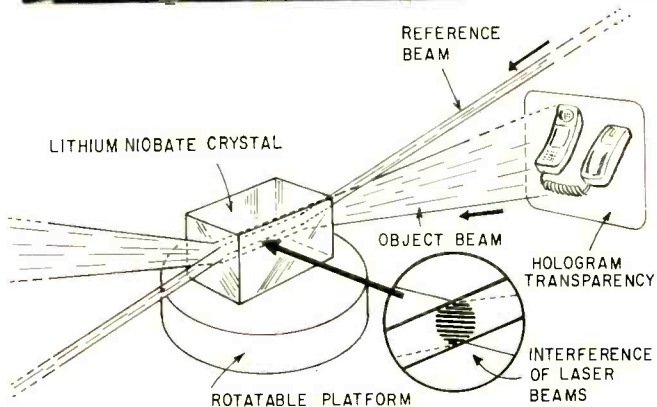
fractive index. To record the next image, the crystal is rotated slightly.

To recover the stored images (see photo) a laser beam is directed through the crystal at the correct angle. Since the refractive index changes produced by the storing beams record intensity variations of the object, these shadings are recreated by the laser beam.

The optical memory crystal can be erased and reused by heating it to 170°C.

A magneto-optic method of hologram storage has been developed by IBM. It can produce holograms in 1 μsec.

The storage system uses a transparent europium oxide film that is kept at a cryogenic temperature of 20°K. A 1-megawatt giant-pulse laser generates a light pulse that



LASER BEAMS PROJECT BRILLIANT COLOR TV DISPLAY

Bayside, N.Y.—A laser display system capable of projecting bright color TV pictures on large wall screens has been built at General Telephone & Electronics Labs.

The development could lead to a variety of indoor and outdoor displays for educational, entertainment and commercial use.

GT&E's laser TV uses an argon gas laser to produce blue and green light beams, and a krypton laser for the red beam. The polarization of each beam is then modulated



GT&E laser display system projects a 31 x 48-inch color image.

with the corresponding blue, green and red video signal from a TV receiver. The beams are next combined by color-sensitive mirrors into a single multicolor laser beam.

A calcite-prism beam splitter then breaks the beam into a pair of similar full-color beams, which are reflected to a rotating 15-sided mirror to produce the horizontal scan lines. Before projecting on a screen, the beams are deflected to a vibrating mirror that produces vertical sawtooth scanning.

passes through an optical system, the hologram, and strikes the film. The beam's intensity produces a magnetic pattern on the film that corresponds to the hologram image (Faraday effect).

When polarized light passes through the film, the hologram image can be viewed. A strong magnetic field will erase the film.

Because of the system's low efficiency (.01%), it is still impractical as a commercial system.

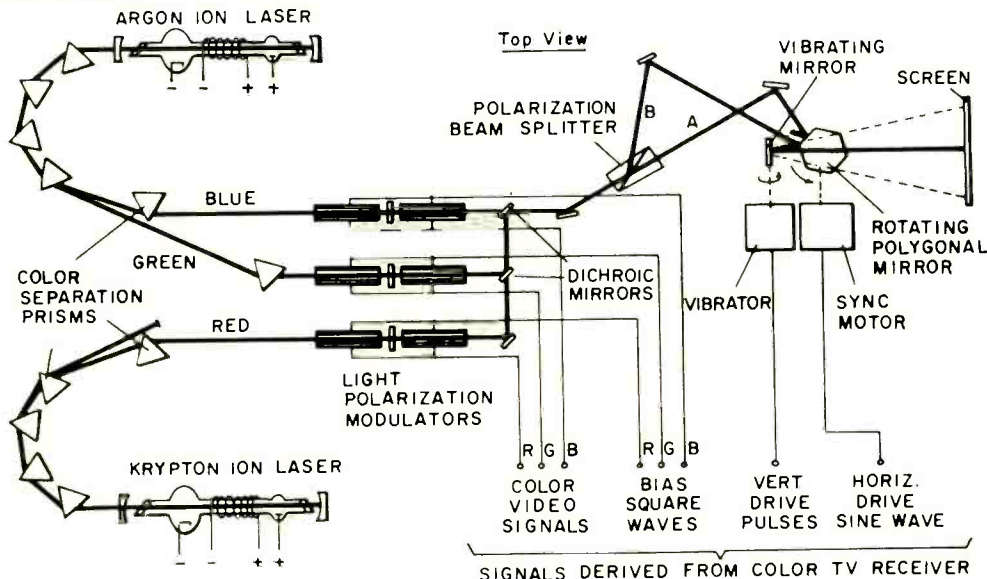
PICTUREPHONE EDITING

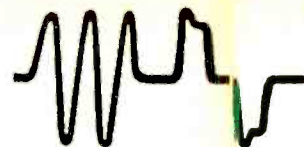
Murray Hill, N.J.—White dots on this video telephone photo represent the only significant picture changes in 1/60 sec.

Because so little change takes place (lip movement or eyelash flutter, for example) (turn page)

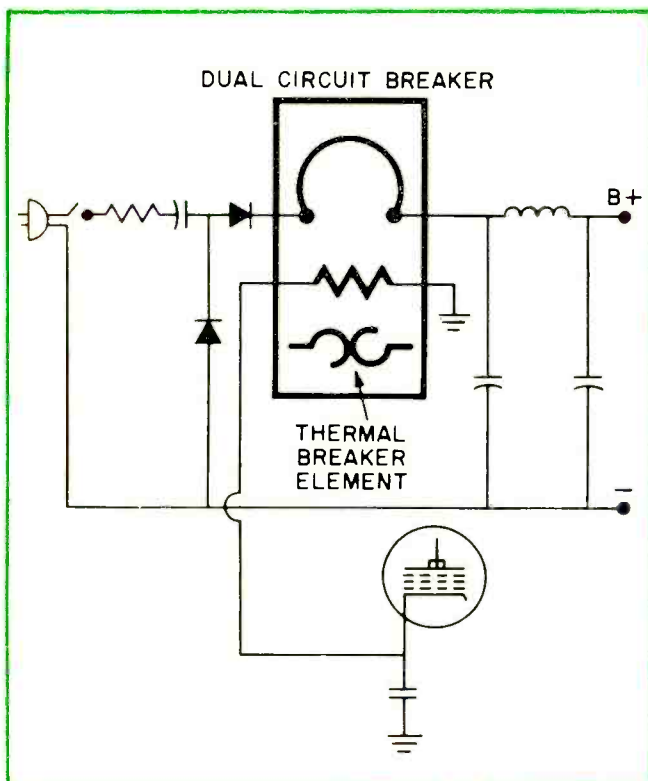
STOP THE SNOOPERS

Keep those electronics ears out of your private conversations. It's easy once you know how to protect yourself. The full details start on page 35.

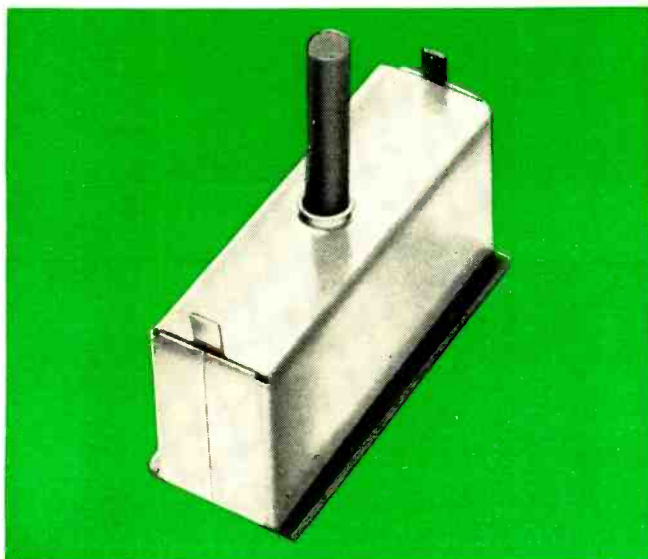




New circuit breakers for color TV



Typical hook-up for dual circuit breaker



Dual circuit breaker

Practically all the new color TV sets have a new kind of dual circuit breaker in them which you may not have run into before. Here's the story.

Remember back when black-and-white television used two fuses—one in the power supply input, and one in the horizontal output circuit? Next, in the interest of economy, the fuse in the horizontal output was eliminated. Then the designers switched to re-settable breakers, in the B+ line.

Along came color. Overload protection became necessary, because the horizontal circuits are more complicated, and more expensive components including the flyback transformer could be knocked out by a defect in the horizontal circuit.

The answer: a dual breaker which pops out from excess current in *either* the B+ or the horizontal output . . . in a single breaker case. It has two electrically isolated but thermally connected circuits, either of which can cause the B+ contacts to open.

The diagram shows a basic hook-up for the breaker. The thermal breaker element goes directly in the B+ line. A resistor inside the breaker, usually about 1.3 ohms, is connected between the cathode of the horizontal output stage and ground. This resistor is located so it will heat up the thermal breaker element.

Along comes an overload in the B+. The thermal element pops the contacts open, in the usual manner. When there's excessive current in the horizontal output, the heating of the breaker's resistor has the same effect as a B+ overload, opening the contacts and removing voltage from the circuit.

Tip No. 1: breakers can fail because they get repeatedly reset into a fault. Check for gassy tubes and leaky capacitors before you replace the breaker, or you'll have the whole job to do over.

Tip No. 2: always replace with a Mallory breaker. We have three different dual breaker ratings in our line. They will replace the dual breakers in all existing color set applications. All are made to original equipment specifications. Your nearby Mallory distributor can supply you off the shelf. See him soon, or write to Mallory Distributor Products Company, a division of P. R. Mallory & Co. Inc., Indianapolis, Indiana 46206.

REMEMBER TO ASK—*"What else needs fixing?"*

Circle 10 on reader service card



in their Picturephone transmissions. Bell Telephone Labs have devised a technique for "editing" the video signals in order to transmit three video phone calls instead of one.

The technique is called "conditional replenishment," since it transmits (replenishes) only elements that change between 1/30-sec scans of the subject. Signals from the camera are converted into digital pulses representing the picture for pulse-code-modulation (PCM) transmission over telephone cables. These pulses are compared with pulses of a memory-stored reference picture.

When there's a significant

difference between the new and reference pictures, the stored picture is updated and only the pulses required to update this reference picture is transmitted. The process takes only a fraction of a second, with no loss in picture quality.

The editing technique is being studied by Bell for application to Picturephone service planned for the 1970's.

Groovy Grooves?

New York, N.Y.—What happens to stereo records played with a monophonic cartridge? Not much, according to a paper presented by Asstac to the Audio Engineering Society, provided it's a high-quality mono cartridge at low tracking force. But stereo grooves can be damaged in less than 10 playings with high mechanical impedance cartridges. Damaged groove distortion, however, is frequently masked by the inherent distortion in low-priced phonographs. **R-E**

intriguing aspect—the generation of color pictures from a low-cost black-and-white film cartridge—is still in the lab and the consumer version isn't expected to be ready until 1971.

What has been demonstrated, and what Motorola will produce first, is a black-and-white player that combines the simplicity of motion picture film with the handling ease and flexibility of a tape cartridge system. The player feeds directly to the antenna terminals of any standard television set by means of a single cable. The film is contained in a completely enclosed circular cartridge 7 inches in diameter and less than 3/8-inch thick, with a large center hole, looking like a swollen 45-rpm disc.

The film itself is completely unorthodox. Measuring just 8 mm, it has no sprocket holes and contains two series of frames side by side, each with its own magnetic sound track, providing in effect, two "tracks" of visual material (photo). In the center, between the pictures, is a series of white indexing indicators, which trigger the player's electronic "shutter" while the film moves continuously at 6 ips. Each track will play up to 26 minutes for a total of 52 minutes, with 180,000 individual frames.

To play an EVR film, the cartridge is dropped on the spindle of what looks like a 45-rpm phonograph (an automatic tape-cartridge changer is within the realm of possibility). The play button is pressed and the film is automatically threaded onto a takeup reel. Like a tape recorder, the EVR player is capstan-driven and has fast-forward and reverse pushbuttons, a digital frame counter, plus additional pushbutton controls to stop the motion (providing a still picture) and for selecting track A or track B.

As viewed in CBS's demonstration, using Motorola 18-inch TV sets as monitors, the system provided extremely high-resolution pictures with excellent contrast—superior to all but the best off-the-air reception—particularly remarkable in view of the fact that each actual film frame is only 3-mm wide.

Although CBS has revealed few technical details, it's known that the player uses a flying-spot scanner as the pickup agent.

Motorola plans to introduce its first black-and-white **(continued on page 12)**

LOOKING AHEAD

(continued from page 2)

video tape systems a run for their money.

EVR players for educational and industrial use will be produced first, to be made exclusively by Motorola Inc. in the U.S. and Canada until 1971, after which CBS hopes the home market will be ripe and other manufacturers will be licensed to make the players.

Judgment of EVR's impact on the home will have to wait until CBS drops the other shoe, for the system's most

Radio-Electronics

HUGO GERNSBACK (1884-1967)
founder

M. HARVEY GERNSBACK,
editor and publisher

LARRY STECKLER, managing editor

Robert F. Scott, W2PVG
senior technical editor

John R. Free, associate editor

Jack Darr, service editor

I. Queen, editorial associate

Matthew Mandl, contributing editor

David Lachenbruch, contributing editor

Carrie Ng, editorial assistant

Bruce Ward, production manager

Elizabeth Shincel, production assistant

G. Aliquo, circulation manager

Cover by Harry Schlack

RADIO-ELECTRONICS is published by Gernsback Publications, Inc. 200 Park Ave. South New York, N.Y. 10003 (212) 777-6400

President: M. Harvey Gernsback
Vice President-Secretary: G. Aliquo

ADVERTISING REPRESENTATIVES

EAST
John J. Lamson, Eastern Sales Mgr.

MIDWEST/N.&S. Car., Ga., Tenn.
Robert Pattis, the Bill Pattis Co., 4761 West Touhy Ave., Lincolnwood, Ill. 60646 (312) 679-1100

W. COAST/Texas/Arkansas/Oklahoma
J. E. Publishers Representative Co., 8380 Melrose Ave., Los Angeles, Calif. 90069. (213) 653-5841; 420 Market St. San Francisco, Calif. 94111, (415) 981-4527

UNITED KINGDOM
Publishing & Distributing Co., Ltd., Mitre House, 177 Regent St., London W.1, England

SUBSCRIPTION SERVICE: Send all subscription orders and correspondence to RADIO-ELECTRONICS, Subscription Department, Boulder, Colo. 80302.

MOVING? For change of address, allow six weeks, furnishing both the old and new addresses and if possible attaching label from a recent issue below. Otherwise please print clearly your name and address exactly as it appears on your label.

ATTACH LABEL HERE

name (please print)

address

city state zip code

Mail to: RADIO-ELECTRONICS
SUBSCRIPTION DEPT., BOULDER, COLO. 80302

You can pay \$600 and still not get professionally approved TV training.

Get it now for \$99.

Before you put out money for a home study course in TV Servicing and Repair, take a look at what's new.

National Electronic Associations did. They checked out the new TV training package being offered by ICS. Inspected the six self-teaching texts. Followed the step-by-step diagrams and instructions. Evaluated the material's practicality, its fitness for learning modern troubleshooting (including UHF and Color).

Then they approved the new course for use in their own national apprenticeship program.

They went even further and endorsed this new training as an important step for anyone working toward recognition as a Certified Electronic Technician (CET).

This is the first time a self-taught training program has been approved by NEA.

The surprising thing is that this is not a course that costs hundreds of dollars and takes several years to complete. It includes no kits or gimmicks. Requires no experience, no elaborate shop setup.

All you need is normal intelligence and a willingness to learn. Plus an old TV set to work on and some tools

and equipment (you'll find helpful what-to-buy and where-to-buy-it information in the texts).

Learning by doing, you should be able to complete your basic training in six months. You then take a final examination to win your ICS diploma and membership in the ICS TV Servicing Academy.

Actually, when you complete the first two texts, you'll be able to locate and repair 70% of common TV troubles. You can begin taking servicing jobs for money or start working in any of a number of electronic service businesses as a sought-after apprentice technician.

Which leads to the fact that this new course is far below the cost you would expect to pay for a complete training course. Comparable courses with their Color TV kits cost as much as six times more than the \$99 you'll pay for this one.

But don't stop here. Compare its up-to-dateness and thoroughness. Find out about the bonus features—a dictionary of TV terms and a portfolio of 24 late-model schematics.

Get all the facts. Free. Fast. Mail the reply card or coupon below.

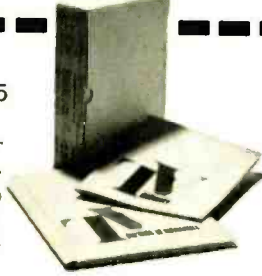
ICS[®] Dept. M4513A
Scranton, Penna. 18515

Yes, I'd like all the details about your new TV Servicing/Repair basic training package. I understand there's no obligation. (Canadian residents, send coupon to Scranton, Pa. Further service handled by ICS Canadian, Ltd.)

Name _____

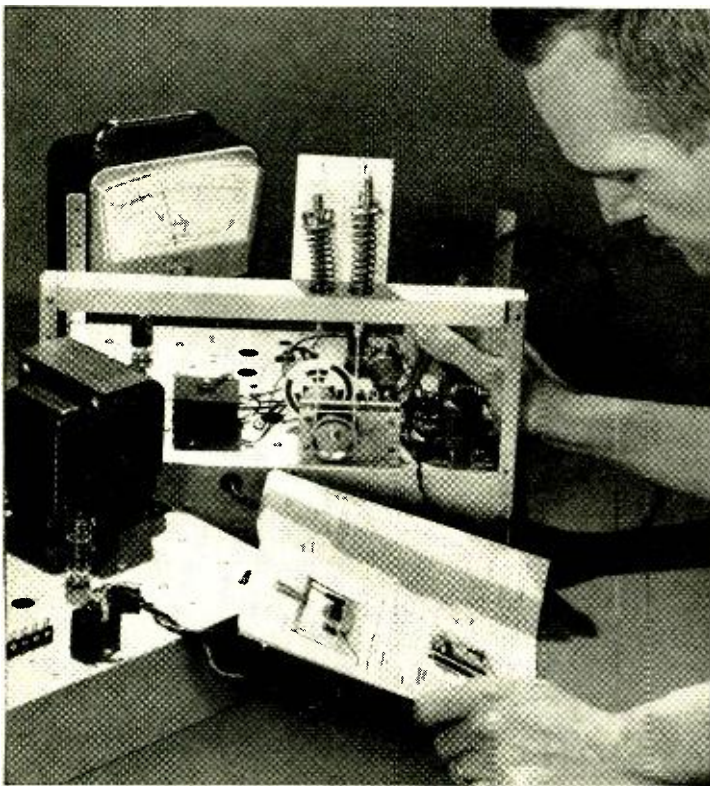
Street _____

City _____ State _____ Zip _____



Prices slightly higher outside U. S. and Canada.
Circle 12 on reader service card

EXPERIENCE IS STILL YOUR BEST TEACHER



NRI designed-for-learning training equipment gives you priceless confidence because your hands are trained as well as your head.

Learning Electronics at home the NRI way is fast and fascinating. Read opposite page.



**OLDEST AND LARGEST
SCHOOL OF ITS KIND**

Accredited by the Accrediting Commission of the National Home Study Council

You get more for your money from NRI

—more value, more solid experience so essential to careers in Electronics. NRI's pioneering "discovery" method is the result of more than half a century of simplifying, organizing, dramatizing subject matter. In each of NRI's major courses you learn by doing. You demonstrate theory you read in "bite-size" texts programmed with NRI designed-for-learning professional lab equipment. Electronics comes alive in a unique, fascinating way. You'll take pleasure in evidence you can feel and touch of increasing skills in Electronics, as you introduce defects into circuits you build, perform experiments, discover the "why" of circuitry and equipment operation.

Almost without realizing it, the NRI discovery method gives you the professional's most valuable tool—practical experience. You learn maintenance, installation, construction and trouble-shooting of Electronic circuits of any description. Whether your chosen field is Industrial Electronics, Communications or TV-Radio Servicing, NRI prepares you quickly to be employable in this booming field or to earn extra money in your spare time or have your own full-time business. And you start out with training equivalent to months—even years—of on-the-job training.

NRI Has Trained More Men for Electronics Than Any Other School

—By actual count, the number of individuals who have enrolled for Electronics with NRI could easily populate a city the size of New Orleans or Indianapolis. Over three-quarters of a million have enrolled with NRI since 1914. How well NRI training has proved its value is evident from the thousands of letters we receive from graduates. Letters like those excerpted below. Take the first step to a rewarding new career today. Mail the postage-free card. No obligation. No salesman will call. NATIONAL RADIO INSTITUTE, Electronics Division, Washington, D.C. 20016.



L. V. Lynch, Louisville, Ky., was a factory worker with American Tobacco Co., now he's an Electronics Technician with the same firm. "I don't see how the NRI way of teaching could be improved."



G. L. Roberts, Champaign, Ill., is Senior Technician at the U. of Illinois Coordinated Science Laboratory. In two years he received five pay raises. Says Roberts, "I attribute my present position to NRI training."

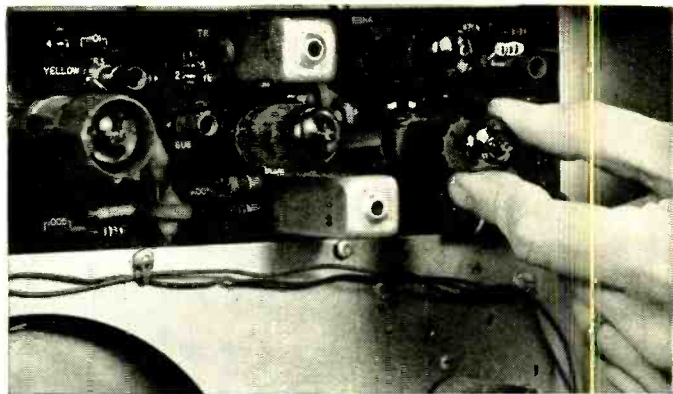


Don House, Lubbock, Tex., went into his own Servicing business six months after completing NRI training. This former clothes salesman just bought a new house and reports, "I look forward to making twice as much money as I would have in my former work."



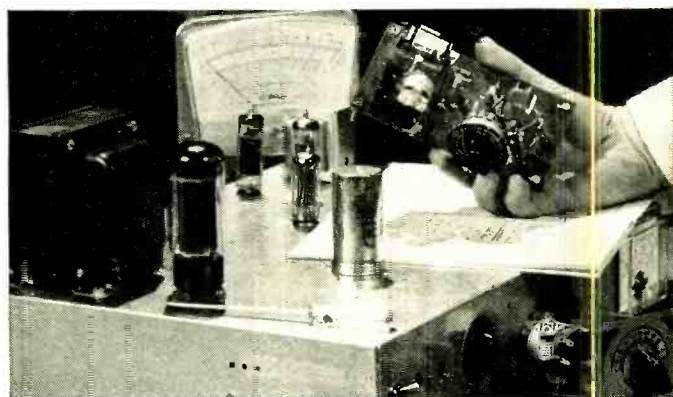
Ronald L. Ritter of Eatontown, N.J., received a promotion before finishing the NRI Communication course, scoring one of the highest grades in Army proficiency tests. He works with the U.S. Army Electronics Lab, Ft. Monmouth, N.J. "Through NRI, I know I can handle a job of responsibility."

APPROVED UNDER NEW GI BILL. If you served since January 31, 1955, or are in service, check GI line on postage-free card.



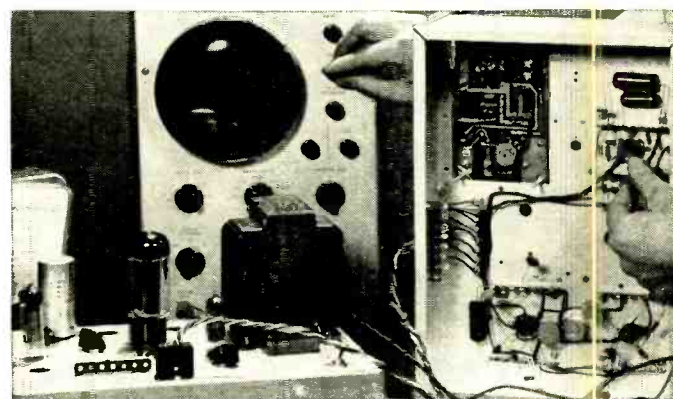
COLOR TV CIRCUITRY COMES ALIVE

as you build, stage-by-stage, the only custom Color-TV engineered for training. You grasp a professional understanding of all color circuits through logical demonstrations never before presented. The TV-Radio Servicing course includes your choice of black and white or color training equipment.



COMMUNICATIONS EXPERIENCE

comparable to many months on the job is yours as you build and use a VTVM with solid-state power supply, perform experiments on transmission line and antenna systems and build and work with an operating, phone-cw, 30-watt transmitter suitable for use on the 80-meter amateur band. Again, no other home-study school offers this equipment. You pass your FCC exams—or get your money back.

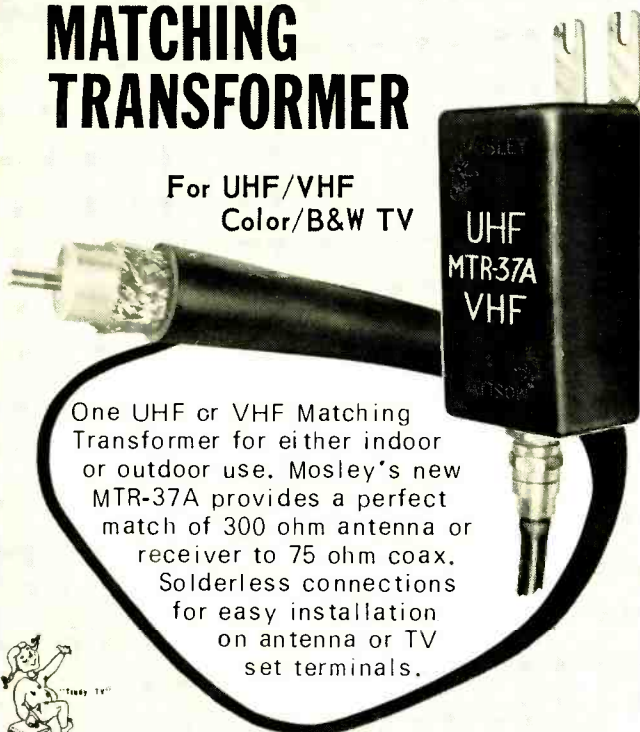


COMPETENT TECHNICAL ABILITY

can be instantly demonstrated by you on completing the NRI course in Industrial Electronics. As you learn, you actually build and use your own motor control circuits, telemetering devices and even digital computer circuits which you program to solve simple problems. All major NRI courses include use of transistors, solid-state devices, printed circuits.

NEW COAX MATCHING TRANSFORMER

For UHF/VHF
Color/B&W TV



One UHF or VHF Matching Transformer for either indoor or outdoor use. Mosley's new MTR-37A provides a perfect match of 300 ohm antenna or receiver to 75 ohm coax. Solderless connections for easy installation on antenna or TV set terminals.



Write Dept. 160A for FREE detailed brochure.

Mosley Electronics, Inc. 4610 N. Lindbergh Blvd.,
Bridgeton Missouri 63042

Circle 14 on reader service card

LOOKING AHEAD

(continued from page 6)

EVR players early in 1970, designed for specialized non-home markets. These ruggedized units will be priced at "less than \$800," but still considerably above the \$280 estimated by CBS more than a year ago. The *New York Times* will be the first organization to produce films for EVR. These will be a series of 50 educational selections for use in schools, each running 15 to 20 minutes.

What's in it for CBS? The processing bonanza. The network company is now building a plant to make EVR cartridge films from standard 16 and 35 mm film and video tape. Cartridges, says CBS, can be duplicated at extremely high speed and relatively low cost. Informal estimates were \$7-\$8 for processing and "cartridging" the film, with a resulting price of \$25-\$35 per complete educational film package.

No significant in-home market is envisioned until the color version becomes available. The color EVR will use the same size cartridge, operating at the same speed, but giving only one-half the playing time—a maximum of 26 minutes, or about 30 minutes if thinner film is used. The space occupied by Track B on the current black-and-white film will be devoted to coded information which, electronically scanned, will "color" the optical image on Track A.

A demonstration of the principle of color EVR is expected soon (perhaps including a "sneak preview" on one of CBS's television stations), when CBS introduces a similar system, but in 16-mm size and without the cartridge, for use by television stations to produce color pictures electronically from specially processed black-and-white film. It's claimed to give resolution equal to that of 35-mm color film.

Whether EVR will ever be a significant consumer product will be known only after the introduction of the home color version in 1971, and when the prices of home players (or combination color sets and EVR) are established.

But it can't cook

What must be the world's most complicated home television receiver is now on sale in Belgium, which obviously is the most confusing place in the world for a TV viewer to live. In much of the country, broadcasts can be received on non-standard Belgian 625- and 819-line systems as well as from the Netherlands, Germany, France and Luxembourg in various other standards, in two color systems and on two broadcast bands.

More computer than TV receiver, the color set built by Philips has an automatic switching system which adjusts it to receive at programs in at least 11 different combinations of standards and frequency bands. In case you're interested, these are some of the combinations: European 625-line b-w and PAL color on vhf and uhf, Belgian 625-line b-w (whose picture and sound modulation differ from general European standard) in vhf and an eventual second channel in uhf, the same Belgian system with PAL color and with SECAM color (not yet on air), Belgian 819-line b-w on vhf, French 819-line b-w vhf broadcasts (with channel width and spacing different from the Belgian equivalent), French 625-line broadcasts in SECAM color on uhf. The price, for a table model: more than \$1,000.

R-E



**A good tip...
on how to
save up to
1/2 hour on
every delivery.**

FREE

Fill in,
clip out,
and
mail.

Please send me informative brochure on YEATS
labor savers — no obligation

Name

Firm

Address

City

State Zip

YEATS

APPLIANCE DOLLY SALES COMPANY
1301 W. Fond du Lac Avenue • Milwaukee, Wis. 53205

Circle 15 on reader service card

Correspondence

ARTICLES I'D LIKE TO READ

I am a constant reader of your magazine and like it very much—especially the transistor circuits you suggest building. I build most of these circuits you publish, and would like to see more of them.

How about publishing some of the following articles in some of your future issues:

1. Low-voltage transistor capacitor tester (test of quality).
2. TV transistor camera (closed-circuit rf).
3. FET transistor quality tester.
4. Transistor audio oscillator.
5. Transistor signal generator.
6. Transistor multiband receiver.
7. Control rectifier quality tester.
8. Triac quality tester.

C. P. ARMENTROUT
Titusville, Fla.

TECHNICIAN CERTIFICATION

I would like to comment on an article that appeared on page 12, RADIO-ELECTRONICS, Sept. 1968, titled "Electronic Technician Certificates."

There is a problem presenting today's technician to the public. An ever increasing number of people seem to be under the impression that all a technician does is think about how much money his next job should bring and what to spend it on.

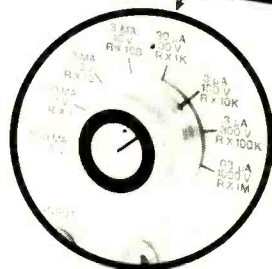
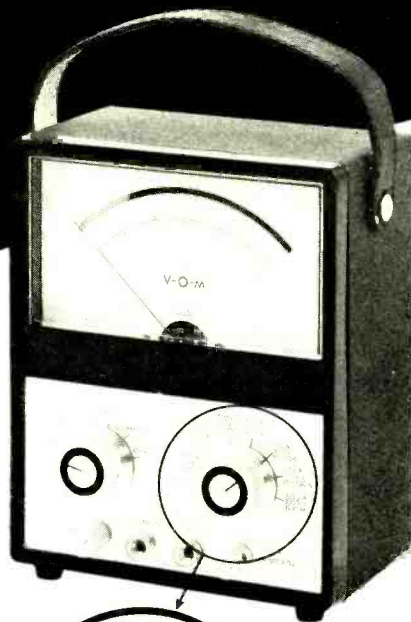
As unfortunate as it is, we brought it upon ourselves! Years back, and even today, we didn't stand up and demand that certain standards should be met by every service person. We didn't insist on competent technicians. We didn't (and don't) insist that the "technician" obtain a certain degree of education in theory and practical experience before turning him loose to repair anything from radio sets to extremely urgent medical devices!

The National Electronics Association appears to be approaching this problem by offering certificates to identify a competent electronic technician. However, I feel they're just scratching the surface.

I agree that licensing competent technicians is the first step. However, that license should expire within three years and re-examination should be

NEW DELTA DESIGN!

MODEL 3000 FET VOM



*A unique
and efficient
instrument
bridging the gap
between a
multimeter and a
digital voltmeter!*

Delta, pioneer of the famous Mark Ten® CD system, now offers a compact, versatile, and extremely sensitive VOM which combines FETs and ICs for extreme accuracy. Compact (6½" W x 8" H x 3½" D), portable, wt. 3¾ lbs. In full production at only

\$74.95
ppd.

Would you believe:

1. Mirror scale 200 μ A D'Arsonval meter
2. Integrated circuit (IC) operational amplifier for extreme accuracy
3. FET input stage with current regulator
4. Two stage transistor current regulator and Zener diode on OHMS for absolute stability and accuracy
5. Voltage clippers for protection of input stage
6. Fully temperature compensated for low low zero drift
7. Ten turns ZERO and OHMS adjust potentiometers
8. Epoxy glass circuit boards and metal case
9. Enclosed switches
10. Uses readily available type AA cells
11. Uses standard test leads for maximum flexibility and ease of measurement
12. 10 Megohms input impedance

Available in Kit form:
Feedback network with pre-selected components to eliminate all final calibration. Ready to use when assembled!

Kit:
Only **\$59.95** ppd.



DELTA PRODUCTS, INC.

P. O. Box 1147, Grand Junction, Colorado 81501

I enclose \$_____ Please send postpaid:

_____ Model 3000 FET VOMs @ \$74.95 assembled

_____ Model 3000 FET VOMs @ \$59.95 kit form

Name _____

Address _____

City/State _____ Zip _____

Circle 16 on reader service card



SONARCOM

FOR FIRE, POLICE, SECURITY, BUSINESS
AND INDUSTRIAL APPLICATIONS
SONAR VHF-FM TRANSCEIVER

(132-174 MHz)

YOU ALWAYS GET THROUGH... OPERATES ANYWHERE!
INDOORS, OUTDOORS, IN STEEL BUILDINGS

More performance and features than much higher priced units. Engineered with space age techniques and military type components for high reliability.

- Provides instant voice contact with base stations, mobile units and other portable transceivers
- Compatible with all VHF narrow band systems
- Full frequency range for all public safety, industrial and land transportation services
- Exclusive "Push-to-Talk" microphone for easy to use action
- Electronic mode switching, no relays
- Receiver and transmitter can be operated on independent frequencies
- External connections for antenna, earphone and battery charger
- Sensitive, noise immune squelch
- Single or split channel operation
- 1.6 watt output

\$375⁰⁰

with 1 pair of crystals and penlite batteries

Sonar Radio Corporation
73 Wortman Avenue, Brooklyn, N.Y. 11207

Please send information on Model 2301—the SONARCOM, Dept. 892

Firm Name _____	Title _____
Address _____	Phone _____
City _____	State _____ Zip _____

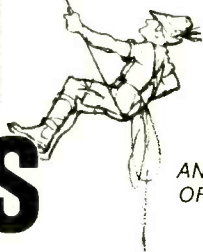
FCC TYPE ACCEPTED for parts 89,91,93 and part 21 telephone use
DOT ACCEPTED FOR CANADIAN USE



Circle 17 on reader service card

ADD EXTRA PROFIT WITH OAKTRON SPEAKERS

- 1 PVS-800, unique, patented speaker-baffle combination that can be used inside or out. Out performs most 2-speaker units.
- 2 STEREO-SPEAKER KIT for cars, trailers, boats, or planes. Easy to install, 6 different models. Skin-packed ready to move.
- 3 REAR SEAT SPEAKER KIT. 20 models each includes all accessories. Skin-packed for easier merchandising.
- 4 REPLACEMENT SPEAKERS, highest quality, skin-packed, over 100 models to choose from.



AND A COMPLETE LINE OF ASSOCIATED ITEMS

Write or phone for complete information from this major manufacturer of quality speakers.

OAKTRON



930 30th St., Monroe, Wisconsin 53566

Circle 18 on reader service card

required for renewal. This would insure that the individual has kept himself abreast of developments in the field. Also, the examination should be designed to conform with the particular area that the individual does his work in, i.e., radio-TV, communications, computers etc. The NEA or IEEE should establish a volunteer representative in as many areas as possible to administer the examination. A "mail order" license just doesn't turn me on. Neither does multiple choice questions. There should be drawings showing voltages then asking "what's wrong with this circuit?"

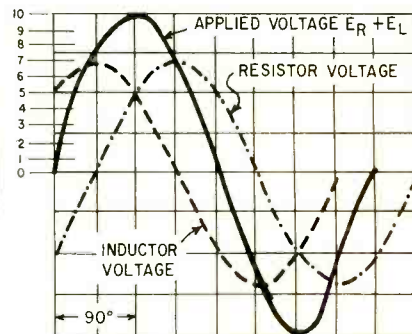
I could go on and on, but, you get the idea. Let's clean up the electronics field. In today's age there is no place for some of the incompetency that we have all seen "somewhere." (Usually somewhere else!) I think that any technician worth his soap would support such a program.

DAVID L. DOWNING
Detroit, Mich.

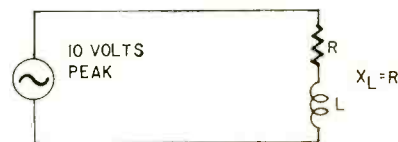
Dave, you learned to walk before you could run. Sure the NEA testing approach is not the cure all. But it is one of those first steady steps that can lead to making the service technician a respected professional.

KIRCHHOFF DOESN'T LIE

I was a bit disappointed that a letter panning a story of mine was published without a chance for me to get in my two cents worth. Mr. Rich-



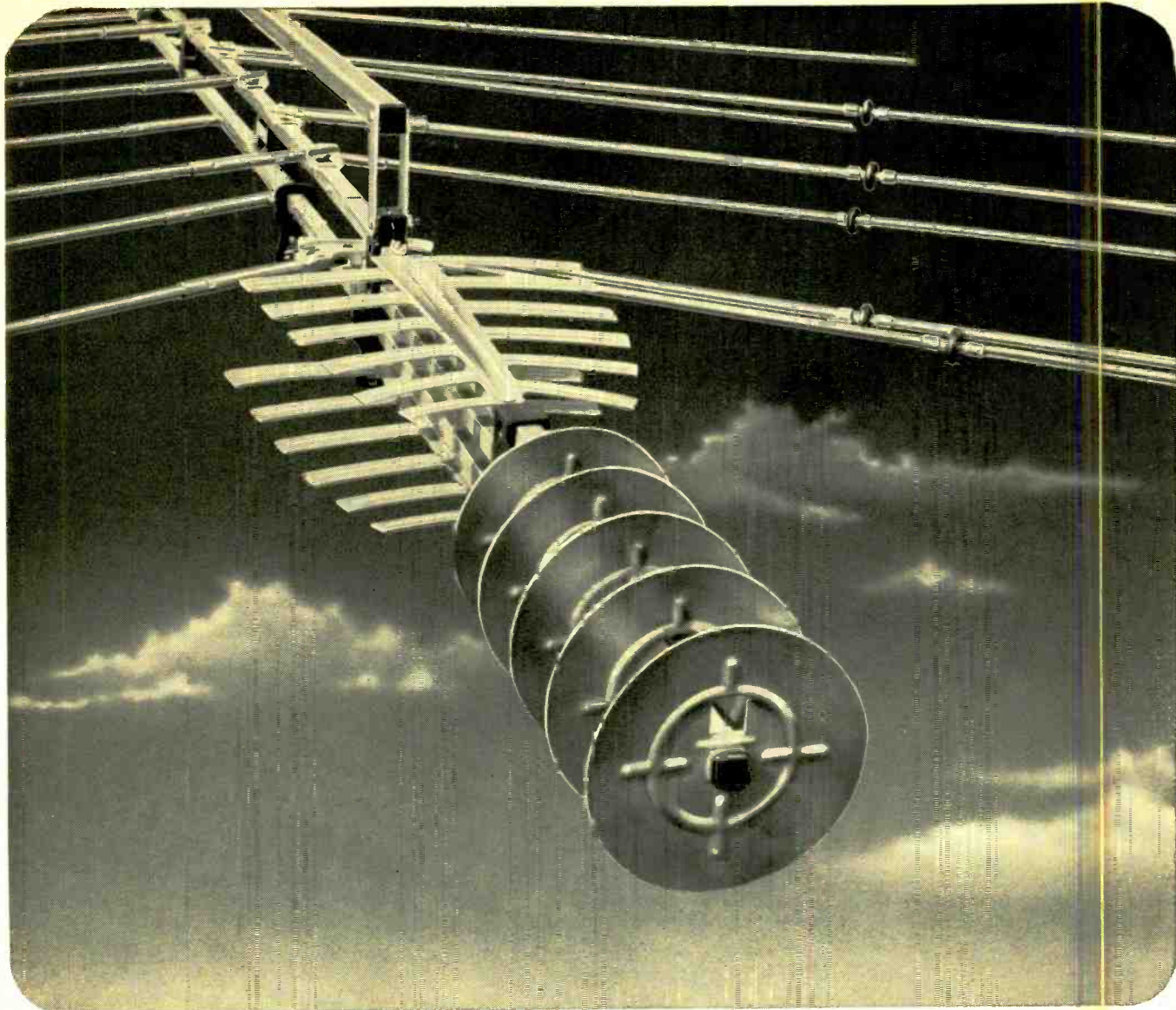
CURRENT LAGS APPLIED VOLTAGE 45°
RESISTOR AND INDUCTOR VOLTAGE 90°
OUT OF PHASE.



INDUCTOR VOLTAGE LEADS APPLIED VOLTAGE BY 45°
RESISTOR VOLTAGE LAGS APPLIED VOLTAGE BY 45°

ter (Correspondence, July 1968) is correct when he says that there is never a time when the voltage is 7.1 volts and 2.9 volts ("Horseflies, Tractors and Mr. Kirchhoff," March 1968).

Instead, the voltage at the peak



There is a difference.

When our engineers designed our LPV Log Periodic antennas, they added something that made our antennas really different:

1. **Patented capacitor-coupled log periodic-V dipoles** that operate on both the fundamental *and harmonic* modes for higher gain and front-to-back ratios than other VHF antennas with more elements.
2. **Log Periodic trapezoid drivers** for amazingly high (but uniform) frequency response on all UHF channels.
3. **Radar-type disc-on-rod director system** that vastly increases signal capture across entire UHF band. Rejects multi-path reflections.

Is it any wonder JFD Color Laser and LPV Log Periodic TV antennas outperform antennas larger in size and number of elements?

Is it any wonder why professional installers who count on antenna gain (not the element numbers game) prefer JFD — the *scientifically* designed antenna with the college education?

Call your JFD distributor and see the difference in spectacular color and black-and-white.

And while you're at it, ask him about our versatile new solid state Program Center amplifier-distribution systems.

JFD[®]

LICENSED UNDER ONE OR MORE OF U.S. PATENTS 2,958,081; 2,981,875; 3,011,168; 3,108,280; 3,150,376; 3,210,767; RE. 25,740 AND ADDITIONAL PATENTS PENDING IN U.S.A. AND CANADA. PRODUCED BY JFD ELECTRONICS CO. UNDER LICENSE FROM THE UNIVERSITY OF ILLINOIS FOUNDATION.

LICENSED UNDER ONE OR MORE OF U.S. PATENTS 2,955,287 AND 3,011,820 AND ADDITIONAL PATENTS PENDING.

JFD ELECTRONICS CORP.

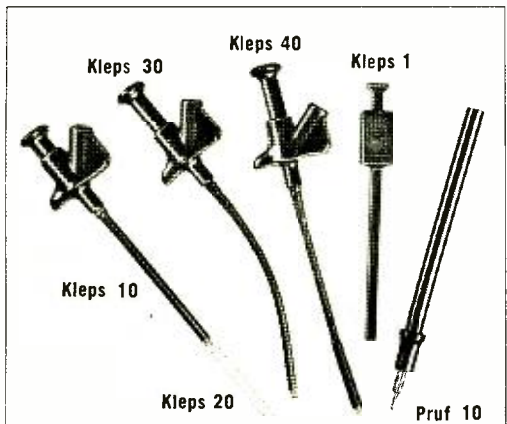
15th Avenue at 62nd Street, Brooklyn, N. Y. 11219

JFD International, 64-14 Woodside Ave., Woodside, N. Y. 11377 JFD Canada, Ltd., Toronto, Ontario, Canada

JFD de Venezuela, S.A., Avenida Los Haticos 125-97, Maracaibo, Venezuela

Circle 19 on reader service card

Clever Kleps



Test probes designed by your needs—
Push to seize, push to release (all Kleps spring loaded).

Kleps 10. Boathook type clamp grips wires, lugs, terminals. Accepts banana plug or bare wire lead. 4¾" long. **\$1.19**

Kleps 20. Same, but 7" long. **\$1.39**

Kleps 30. Completely flexible. Forked-tongue gripper. Accepts banana plug or bare lead. 6" long. **\$1.47**

Kleps 40. Completely flexible. 3-segment automatic collet firmly grips wire ends, PC-board terminals, connector pins. Accepts banana plug or plain wire. 6¼" long. **\$2.39**

Kleps 1. Economy Kleps for light line work (not lab quality). Meshing claws. 4½" long. **\$.99**

Prof 10. Versatile test prod. Solder connection. Molded phenolic. Doubles as scribing tool. "Bunch" pin fits banana jack. Phone tip. 5½" long. **\$.79**

All in red or black — specify .

For additional information, write for our complete catalog of — test probes, plugs, sockets, connectors, earphones, headsets, and miniature components.



Available through your local distributor, or write to:
RYE INDUSTRIES, INC.
127 Spencer Place, Mamaroneck, N.Y. 10543



Circle 20 on reader service card

BREAKTHROUGH



IN ELECTRONICS CALCULATING

Still plodding through math and electronics problems the slow pencil-and-paper way? Smash the paperwork barrier with this new Electronics Slide Rule.

Even if you've never used a slide rule before, you can whiz through resonant frequency calculations and inductive or capacitive reactance problems. You can find reciprocals for resistance formulas instantly. You can even locate tricky decimal points in a jiffy.

You can also work regular math problems in a flash: multiplication, division, square roots, logarithms, trigonometry.

Anyone can use this sturdy 12-inch, all-metal slide rule. We show you how with our complete 4-lesson instruction course. Slide rule, course, and handsome leather carrying case deliberately priced low as our way of making friends with men in Electronics. FREE booklet gives full details. Mail coupon below today.

MAIL THIS COUPON FOR FREE BOOKLET

CIE Cleveland Institute of Electronics
1776 E. 17th St., Cleveland, Ohio 44114

Please send me, without charge or obligation, your booklet describing the Electronics Slide Rule and 4-lesson instruction course. Also FREE if I act at once—a handy, pocket-sized Electronics Data Guide.

Name _____ (please print)

Address _____

City _____ State _____ Zip _____

Accredited Member National Home Study Council • A Leader in Electronics Training... Since 1934

RE-16T



Circle 21 on reader service card

of the applied voltage is 5 volts across the inductor and 5 volts across the resistor. When the voltage across the inductor is 7.1 volts, the voltage across the resistor is zero, but Mr. Kirchhoff is not violated because at that same instant the applied voltage is 7.1 volts. The graph shows this clearly, but Mr. Richter should have plotted *three* sine waves instead of two. As the graph shows, the inductor voltage leads the applied voltage by 40° and the resistor voltage lags the applied voltage by 45° when $X_L = R$

Mr. Richter is incorrect when he intimates that the essential point of the story must be "unlearned". The point of the story is, as anyone who will read it can see, that Mr. Kirchhoff is as valid for ac as for dc and that the sum of the voltages at any instant is equal to the applied voltage at that instant. The purpose of my article was to point this out and I'm truly sorry that a numerical error occurred.

WAYNE LEMONS
Buffalo, Mo.

IT HAPPENED TO ME

I'd like to pass on an interesting phenomenon noted while doing some independent experimentation with tuned circuits. I found that most, but not all transistors react to the influence of a strong magnetic force. An example of this influence is the ability of the magnetic force to change the frequency of an oscillator. By placing an Alnico magnet close to the transistor being used as a local oscillator in a superhetrodyne receiver, it was possible to change the frequency of this oscillator to cover the entire broadcast band. The distance and position of the magnet determined the rate of change.

Later, an electromagnet was used and the voltage varied to the magnet coil. The same effect was noted—the oscillator changed frequency in step with the varied emf. The gain of an audio stage was reduced from full output to a point where it was no longer audible to the human ear, by the same methods described above. It is assumed that this phenomenon is an extension of the Hall effect.

DEAN D. CAMERON
Seattle, Wash.

Coming Next Month

Complete details for building a battery-operated stereo phonograph are in our next issue. Two IC's let you pack amplifiers for both channels in the pick-up arm. This project is one of five audio articles in the March **RADIO-ELECTRONICS**.

In the Shop . . . With Jack

By JACK DARR
SERVICE EDITOR

10 STEPS FOR FAST COLOR CRT CHANGES

CHANGING A COLOR CRT CAN BE A hard job or an easy one, depending on how you go at it. If you use the right tools and techniques, it can be a lot simpler and faster. Try this.

First, we'll assume that the set is otherwise o.k. This can be easily checked, since in most cases we'll have only one bad gun. So, this is a mechanical problem: getting the old tube out, and the new one in and readjusted in the least possible time.

Time yourself on the first job, then see if you can cut it down on the next one. We've run time-and-motion studies on quite a few sets, and found that this 10-step technique seems to be the quickest and easiest.

Step 1: Clear the bench and put a couple of pads on it. Discarded carpet samples about 2' square are ideal. Get the new tube ready, but leave it in the box.

Step 2: Pull the chassis. Sometimes the tuner and controls can be left in if they won't interfere with getting the tube out. Set the chassis out of the way, and put all bolts, knobs, etc. in a box.

Step 3: Put a soft pad on the floor; a discarded sofa cushion is good. Take off the neck components: purity rings, blue lateral magnet, convergence yoke and deflection yoke. In late models, these may be all together, which simplifies things.

Lay these out on the bench in a line, just as they go back on the tube. It helps sometimes to make a rough sketch of the distance between each one.

Step 4: Take out the CRT mounting bolts and lift the old tube out. Set it on one of the bench pads. Now get out the new tube, and set it on another pad in the *same* position: high-voltage button toward you, away from you, etc.

Take off the mounting clamp or band and set it on the new tube. If the mounting "ears" (rectangular tubes only) are loose, *mark their positions* on the band *before* you loosen it. Or put a piece of tape over each ear to hold it where it ought to be. If the

ears slip, they won't fit the bolt holes. This means taking the tube out of the cabinet again for readjustment, wasting a lot of time.

Set the whole works on the new tube, and make sure that the ears are correctly set, with the flanges under the faceplate, etc. Be *sure* that it is right side up. Tighten firmly, but not too firmly.

Step 5: Put the new tube in the cabinet and tighten the mounting bolts. Be sure that the tube is tightly fastened, and seated in the mask opening.

Step 6: Replace the deflection and convergence yokes, purity magnets, blue lateral, etc. Set them as close to where they were as you can, but don't tighten the clamps yet. Just enough to hold 'em firmly.

Step 7: Set the cabinet back up and slide the chassis in. Replace the knobs and hook up the high-voltage leads, yoke cables, tuner, etc. Turn the set on, set up the brightness controls, check the high voltage, etc. to make a good raster. Check centering of the raster at this time.

Step 8: Now we're ready to get into the time-saving part. Presumably, the set was fairly well converged before. What we've got to do is get that back in the least time. Do it the easy way. Replacing the tube shouldn't change any of the *dynamic* adjustments. Getting back to proper convergence should be just a matter of getting the neck components back to their right places.

Demagnetize the tube, just for

This column is for your service problems—TV, radio, audio or general and industrial electronics. We answer all questions individually by mail, free of charge, and the more interesting ones will be printed here.

If you're really stuck, write us. We'll do our best to help you. Don't forget to enclose a stamped, self-addressed envelope. Write: Service Editor, Radio-Electronics, 200 Park Ave. South, New York 10003.

The TRUE electronic solution to a major problem of engine operation!

DELTA'S FABULOUS MARK TEN®



Only \$44.95 ppd.
In easy-to-build Deltakit®
Only \$29.95 ppd.

CAPACITIVE DISCHARGE IGNITION SYSTEM

You've read about The Mark Ten in *Mechanix Illustrated*, *Popular Mechanics*, *Electronics* and other publications!

Now discover for yourself the dramatic improvement in performance of your car, camper, jeep, truck, boat—any vehicle! Delta's remarkable electronic achievement saves on gas, promotes better acceleration, gives your car that zip you've always wanted. Find out why even Detroit has finally come around. In four years of proven reliability, Delta's Mark Ten has set new records of ignition benefits. No re-wiring! Works on literally any type of gasoline engine.

Why settle for less when you can buy the original DELTA Mark Ten, never exceeded and so unique that a U.S. Patent has been granted.

READY FOR THESE BENEFITS?

- ▲ Dramatic Increase in Performance and in Fast Acceleration
- ▲ Promotes more Complete Combustion
- ▲ Points and Plugs last 3 to 10 Times Longer
- ▲ Up to 20% Mileage Increase (saves gas)

LITERATURE SENT BY RETURN MAIL
BETTER YET — ORDER TODAY!

 **DELTA PRODUCTS, INC.** DP 7-17

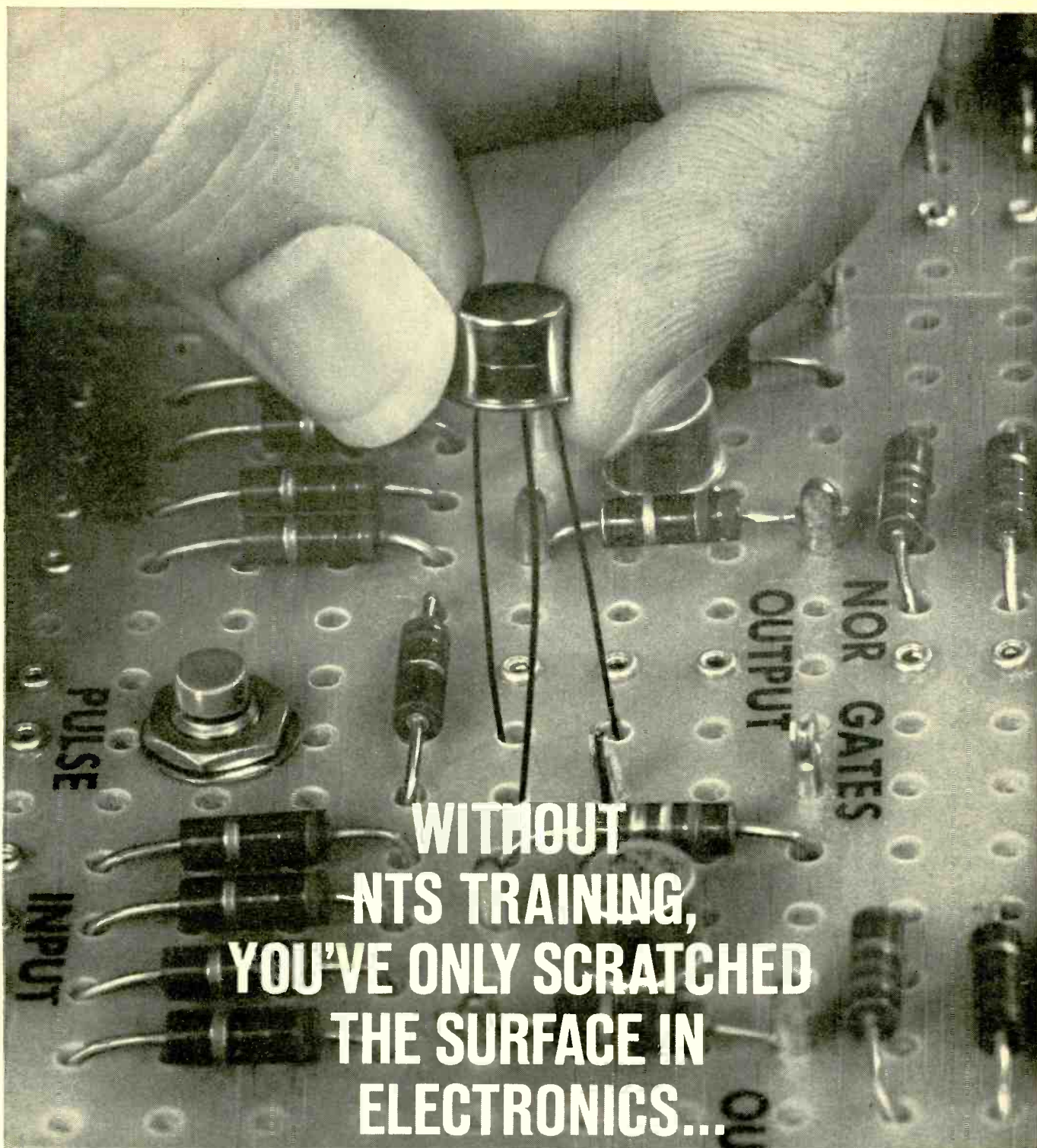
P.O. Box 1147 RE • Grand Junction, Colo. 81501

Enclosed is \$_____ Ship ppd. Ship C.O.D.
Please send:

- Mark Tens (Deltakit®) @ \$29.95
(12 VOLT POSITIVE OR NEGATIVE GROUND ONLY)
- Mark Tens (Assembled) @ \$44.95
- 6 Volt: Negative Ground only
- 12 Volt: Specify Positive Ground Negative Ground

Car Year _____ Make _____
Name _____
Address _____
City/State _____ Zip _____

Circle 22 on reader's service card



Only NTS penetrates below the surface. Digs deeper. Example? Take the above close-up of the first transistorized digital computer trainer ever offered by a home study school.

It's called The Compu-Trainer®—an NTS exclusive. Fascinating to assemble, it introduces you to the exciting world of computer electronics. Its design includes advanced solid-state NOR circuitry,

flip-flops, astable multivibrators and reset circuits. Plus two zener and transistorized voltage-regulated power supplies. The NTS Compu-Trainer® is capable of performing 50,000 operations per second.

Sound fantastic? *It is!* And at that, it's only one of many *ultra-advanced* kits that National Technical Schools offers to give you incomparable, in-depth career training.

PROVE IT YOURSELF. SEND FOR OUR NEW CATALOG. SEE THE LATEST, MOST ADVANCED KITS AND COURSES EVER OFFERED BY A HOME STUDY SCHOOL.

NTS...THE FIRST HOME STUDY SCHOOL TO OFFER LIVE EXPERIMENTS WITH INTEGRATED CIRCUIT KITS

You build a computer sub-system using the new, revolutionary integrated circuits. Each one, smaller than a dime, contains the equivalent of 15 resistors and 27 transistors.

And your kits come to you at no extra cost. These kits are the foundation of the exclusive *Project-Method* home study system...developed in our giant resident school and proven effective for thousands of men like yourself.

With Project-Method, all your kits are carefully integrated with lesson material. Our servicing and communication kits are *real* equipment—not school-designed versions for training only. As you work on each of the projects, you soon realize that even the most complicated circuits and components are easy to understand. You learn *how* they work. You learn *why* they work.

NTS Project-Method is a practical-experience approach to learning. The approach that works *best!* An all-theory training program can be hard to understand — difficult to remember. More than ever before you need the practical experience that comes from working with real circuits and components to make your training stick.

NTS SENDS YOU KITS TO BUILD THESE IMPORTANT ELECTRONICS UNITS!

- ◆ 25" COLOR TV
- ◆ 21" BLACK & WHITE TV
- ◆ SOLID-STATE RADIO
- ◆ AM-SW TWIN-SPEAKER RADIO
- ◆ TUBE-TESTER
- ◆ TRANSCEIVER
- ◆ COMPU-TRAINER®
- ◆ VTVM
- ◆ SIGNAL GENERATOR
- ◆ 5" OSCILLOSCOPE

See them all illustrated in
the new NTS Color Catalog.

CLASSROOM TRAINING AT LOS ANGELES: You can take classroom training at Los Angeles in sunny California. NTS occupies a city block with over a million dollars in facilities devoted exclusively to technical training. Check box in coupon.

NATIONAL TECHNICAL SCHOOLS

WORLD-WIDE TRAINING SINCE 1905

4000 So. Figueroa Street, Los Angeles, Calif. 90037

APPROVED FOR VETERANS



Accredited Member: National Home Study Council
Accredited Member: National Association of Trade and Technical Schools



FEBRUARY 1969

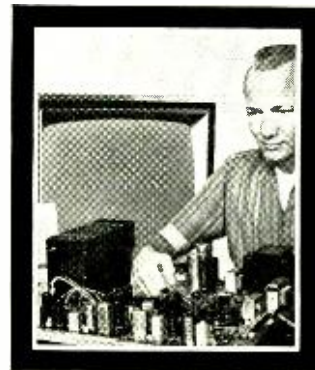


COMMUNICATIONS

This transceiver is included in Communications courses. You build it. With it, you easily prepare for the F.C.C. license exam. You become a fully-trained man in communications, where career opportunities are unlimited.

25" COLOR TV ▼

Included in Color TV Servicing Courses. With it you advance yourself into this profitable field of servicing work. Color is the future of television, you can be in on it with NTS training.



YOUR OPPORTUNITY IS NOW

New ideas, new inventions, are opening whole new fields of opportunity. The electronic industry is still the fastest growing field in the U.S. There's a bigger, better place in it for the man who trains today. So, whatever your goals are—advanced color TV servicing, broadcasting, F.C.C. license, computers, or industrial controls, NTS has a highly professional course to meet your needs.

GET THE FACTS! SEE ALL NEW COURSES AND KITS OFFERED IN THE NEW NTS COLOR CATALOG. SEND THE CARD OR COUPON TODAY!

There's no obligation. You enroll by mail only. No salesman will call.



Dept. 2015-29

NATIONAL TECHNICAL SCHOOLS

4000 S. Figueroa St., Los Angeles, Calif. 90037

Please rush Free Color Catalog and Sample Lesson, plus information on field checked below. No obligation.

- | | |
|---|--|
| <input type="checkbox"/> MASTER COURSE IN COLOR TV SERVICING | <input type="checkbox"/> PRACTICAL TV & RADIO SERVICING |
| <input type="checkbox"/> COLOR TV SERVICING | <input type="checkbox"/> FCC LICENSE COURSE |
| <input type="checkbox"/> MASTER COURSE IN TV & RADIO SERVICING | <input type="checkbox"/> INDUSTRIAL & COMPUTER ELECTRONICS |
| <input type="checkbox"/> MASTER COURSE IN ELECTRONIC COMMUNICATIONS | <input type="checkbox"/> STEREO, HI FI & SOUND SYSTEMS |
| | <input type="checkbox"/> BASIC ELECTRONICS |

NAME _____ AGE _____

ADDRESS _____

CITY _____ STATE _____ ZIP _____

- Check if interested in Veteran Training under new G.I. Bill.
 Check if interested ONLY in Classroom Training at Los Angeles.

**FAR
SUPERIOR
TO
ANY
VTVM
OR
VOM**

**--and
for
less
money
only
\$69.95**



NEW FIELD EFFECT MULTIMETER

Here is the revolutionary new approach to circuit testing, the solid state Sencore FIELD EFFECT METER. This FE14 combines the advantages of a VTVM and the portability and versatility of a VOM into a single low-cost instrument. This is all made possible by the use of the new space age field effect transistor that is instant in action but operates like a vacuum tube in loading characteristics. Compare the features of the FIELD EFFECT METER to your VTVM or VOM.

Minimum circuit loading — 15 megohm input impedance on DC is better than a VTVM and up to 750 times better than a 20,000 ohm per volt VOM — 10 megohm input impedance on AC is 20 times better than a standard VTVM. The FIELD EFFECT METER is constant on all ranges, not like a VOM that changes loading with each range.

Seven AC peak-to-peak ranges with frequency response to 10MHz. Seven zero center scales down to 0.5 volt. Five ohmmeter ranges to 1000 megohms. DC current measurements to 1 ampere. Full meter and circuit protection. Mirrored scale. Low current drain on batteries — less than 2 milliamps. Built-in battery check. Unbreakable all-steel vinyl clad case. Optional Hi-Voltage probe adds 3KV, 10KV and 30KV ranges with minimum circuit loading for greatest accuracy in the industry... \$9.95.

FE16 HI-ACCURACY FIELD EFFECT METER.

All of above features, plus unmatched accuracy — 1.5% on DC, 3% on AC. High-style meter, knobs, and special meter-tilting handle. **\$84.50.**



SENCORE

NO. 1 MANUFACTURER OF ELECTRONIC MAINTENANCE EQUIPMENT

426 SOUTH WESTGATE DRIVE, ADDISON, ILLINOIS 60101

luck. (If the purity looks good, don't bother.) Now set up the mirror and put a crosshatch pattern on the screen from your bar-dot generator.

Chances are it'll look pretty bad at first. If the purity is o.k., move the convergence yoke slightly back and forth, watching the screen to get the best overlap of the lines. In some cases—particularly if you get edge misconvergence—turn the convergence yoke just a tiny bit back and forth around the neck.

If you get problems, turn the blue screen off, and work with red and green to get a well-converged yellow pattern. If necessary, move both red and green with the static magnets until they are well overlapped. Now turn the blue back up, and work the blue lines over the yellow with the two blue magnets. If the blue lateral makes the lines move *diagonally*, check its setting on the tube neck, it isn't right. Probably needs turning around the neck. If the blue lateral doesn't have enough range (won't move the line far enough) it is probably off position fore and aft.

Step 9: Now run your regular setup adjustments: screen settings, CRT bias, video drives and check the tracking.

Step 10: Deliver and collect.

That's about all there is to it. The use of a known pattern on the screen will help you to get the neck components back in the right places in the least time. That's the most important part. Having the proper tools on hand and within reach can save you a lot more time—long nut drivers, stubbies and so on, all the special tools needed for this particular chassis.

In tests, we found that the average color picture tube could be changed and the set back in operation in about 25 minutes, with only one man on the job. **R-E**



"I keep bumping into things."

RADIO-ELECTRONICS

EASY TO BUILD

High Power Electronic Photoflash

100-watt/second xenon photoflash with trigger circuit

by **JAMES A. GUPTON, JR.**

Faster than a moon-bound rocket and brighter than the noonday sun, the xenon flashtube is a miniature lightning bolt in a coil of glass tubing.

Its versatility makes xenon indispensable to photography. Flash duration can be varied from milliseconds to microseconds to stop action—even a bullet in flight. In addition, flash intensity can be varied to provide the exact amount of light needed for most situations.

The spectral distribution curve of xenon lamps reveals still another important characteristic. The high content of light output in the 350–450-millimicron region and low output in the 650–700-millimicron region raises the color temperature to almost 6500° Kelvin. So, color pictures taken with xenon lighting need no filters to correct for color balance.

Only three basic circuits are needed to operate the xenon flashtube: a dc power source, energy bank and trigger circuit. Several circuit variations are described here so you can select a unit that fits your construction budget.

A good starting point is the dc power source. Here you have a choice of batteries or a transformer-rectifier circuit. Circuits for either battery or transformer-rectifier power sources are in Fig. 1.

The convenience and rapid recycling of the battery source make it perhaps the most economical and easiest to construct.



The energy bank is the heart of the xenon circuit. Here the intensity and duration of the xenon light are controlled. Made up of a number of low-leakage, high value capacitance electrolytic capacitors in parallel, the energy bank accumulates an electrical charge and maintains that charge until an appropriate trigger circuit fires the xenon flashtube. This dumps the total charge through the flashlamp.

Capacitors in the energy bank do two jobs. They determine the total light output and control the duration of the flash. The greater the capacitance of the energy bank, the greater the light output and the longer the flash duration. For short flash duration, say in the microsecond range, capacitance is low, but the applied dc voltage is high.

Flash-power and how it works

The relationship between capacitance, voltage and power is illustrated by the formula: $J = CV^2/2$ —where J = energy in watt/seconds; C = capacitance in microfarads; and V = applied dc voltage in kilovolts. For example: Suppose we have two 525- μ F capacitors being charged by two 225-volt, series-connected batteries. What power will be available to the flashtube?

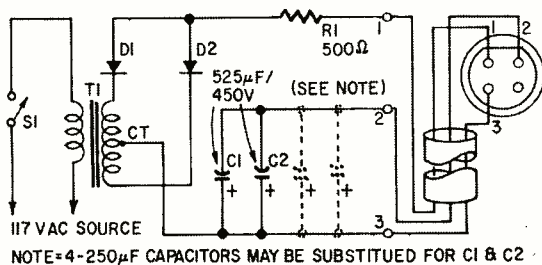
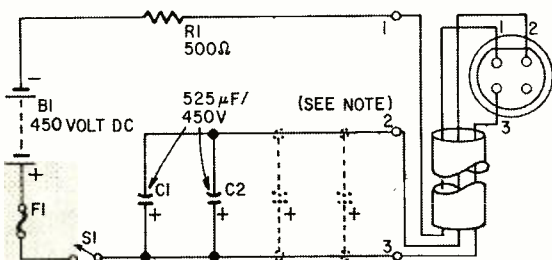


Fig. 1—Top drawing shows components for battery-source power supply. The transformer-rectifier circuit below permits ac operation. Battery operation provides the fastest recycling.

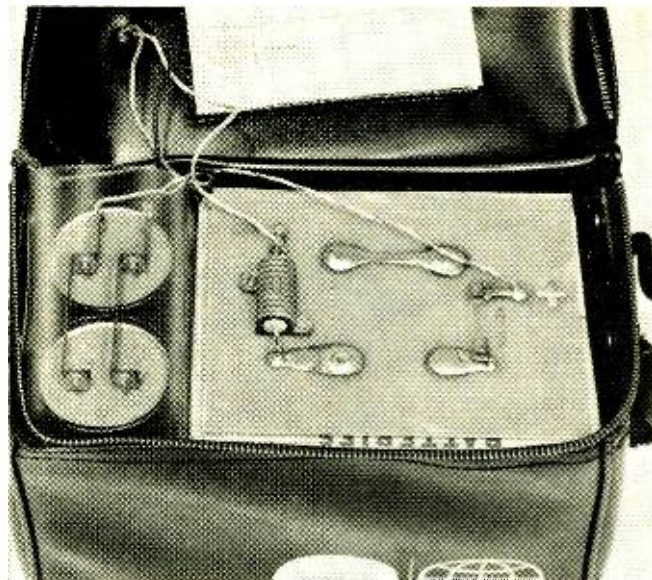
$$W/S = \frac{CV^2}{2} = \frac{(1050 \mu F) \times (0.45 \text{ kV})^2}{2} = \frac{1050 \times 0.2025}{2} =$$

106.3 watt/second input energy

When used as a photographic light source, the flashtube's power is controlled by the total capacitance of the energy bank. When charged to 450 volts dc, a single 250- μ F capacitor will produce approximately 25 watt/seconds, or almost 1000 lumen/seconds of light.

If several capacitors are connected in parallel to the dc power source by a shorting-wafer switch, the increased capacitance increases the total light energy. Reducing the capacitance of the energy bank speeds recycle time and reduces battery current drain.

The power of the energy bank can be extremely dangerous. Protective shielding for the capacitors is neces-



A photographic "gadget" bag makes a convenient carrying case for the battery pack. Banana plugs beneath the circuit board connect 225-volt batteries. Place plastic over capacitors.

sary to prevent accidental shock. A sheet of plastic can be heated in hot water or by the heat of a reflector spot-lamp and formed around and over the capacitors to provide complete shielding. Also be sure that you never exceed the power rating of the flashtube. Exceeding its power rating can result in the flashtube exploding, causing damage through flying glass.

The trigger circuit and what it does

The trigger circuit provides a pulse of 5000 to 15,000 volts to the exterior of the flashtube. This high-voltage pulse ionizes the xenon gas in the tube to provide a discharge path through the tube for the accumulated energy-bank charge.

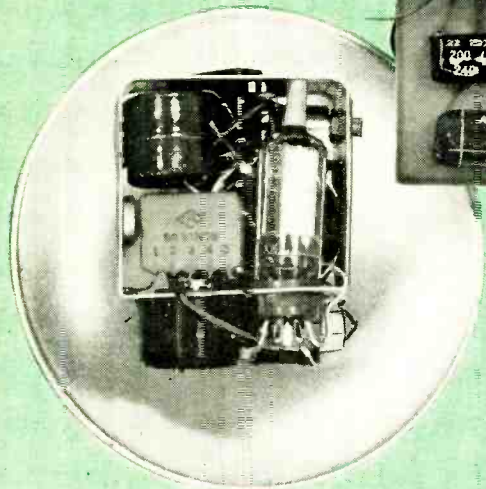
A typical class-I trigger circuit is in Fig. 2-a. This circuit is suitable for lower-power flash-tubes—50 watt/seconds or less. The main advantages are its simple circuitry and low cost. Applying dc voltage to terminals 1, 2 and 3 charges the 0.25- μ F capacitor to about 180 volts. Closing the trip circuit discharges the capacitor through the trigger coil's primary circuit. This produces a high-voltage pulse to ionize the xenon gas in the flashtube.

A disadvantage of the class-I trigger circuit is the potential damage to delicate camera-sync contacts by the trigger current flowing through the trip circuit.

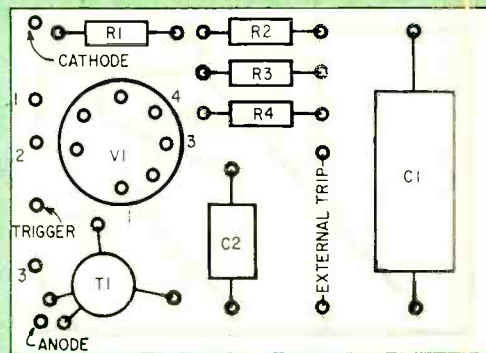
A class-II trigger circuit is shown in Fig. 2-b. This circuit provides trigger power for flashtubes up to 200-watt/second ratings, and offers complete protection for camera-sync contacts. Like the class-I trigger circuit, class-II circuit operation depends on charging a capacitor (0.5 μ F, in this case). However, closing the trip circuit, does not discharge trigger current through the camera's shutter contacts. Instead, the charge fires the thyatron and passes through the trigger coil's primary circuit to induce the trigger ionization pulse.

The high-voltage pulse formed in the trigger circuit requires insulation and shielding to protect the user from electrical shock. The inner plastic-covered conductor of RG/58-U coaxial cable makes an ideal high-voltage conductor.

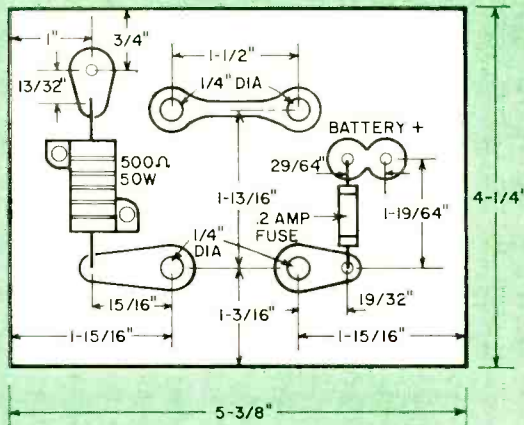
The simplicity of the circuit should eliminate the necessity for step-by-step kit-like instructions. However,



Printed circuit board used for class-II triggering (top right) is compared with similar mounted professional layout.



Location of parts on PC board (Class-II trigger) shown from component side. Terminals 1, 2, 3 supply C1's charging voltage.



Top view of battery-connector printboard with dimensions for terminals. Battery connector plugs soldered in the 0.250" holes connect the 225V batteries together.

Printed circuit board for Class-II trigger operation is shown here actual size. Trace, or use the drawing for photographic transfer.

COMPOSITE PARTS LISTS

Class-I Trigger

- R1—4.7-megohm, 1 watt, 5% resistor
- R2—3.3-megohm, 1 watt, 5% resistor
- C1—0.25- μ F, 600-volt, capacitor
- T1—trigger coil, Stancor P-2426 or UTC-PF7

- Flashtube—FT-106 or FT-118 (see Misc.)

Class-II Trigger

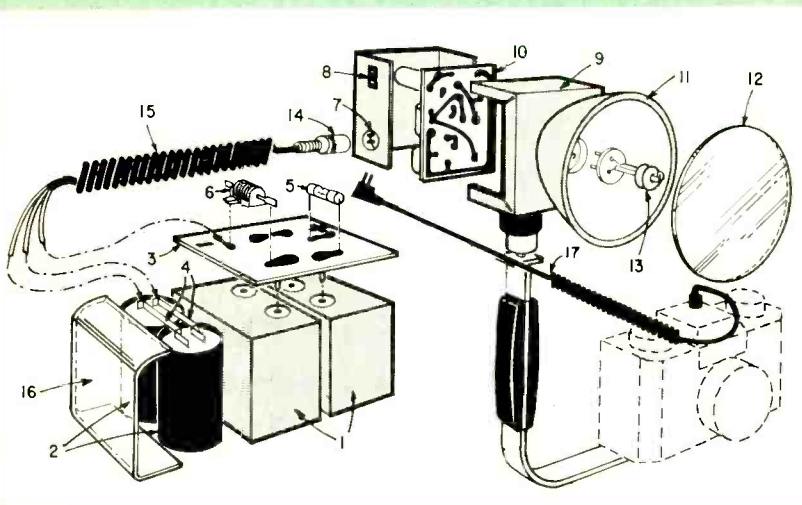
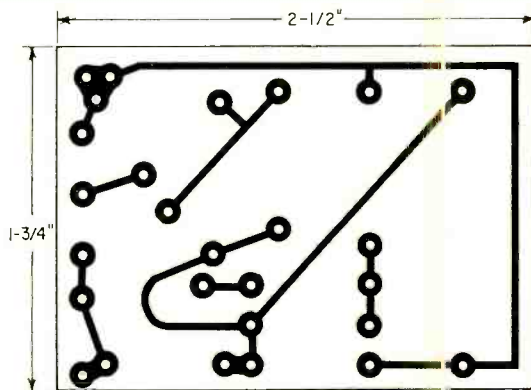
- R1—4.3-megohm, 1 watt, 5% resistor
- R2—3.9-megohm, 1 watt, 5% resistor
- R3—8.2-megohm, 1 watt, 5% resistor
- R4—120,000-ohm, 1-watt, 5% resistor
- C1—0.5- μ F, 200-volt capacitor
- C2—0.22- μ F, 200-volt capacitor
- V1—5823 tube (RCA)
- T1—trigger coil, Stancor P-2426, Thordarson 22R115 or UTC PF7

Battery Power Supply

- R1—500 ohm, 50-watt resistor (Dale)
- F1—0.25A, 3AG pigtail fuse
- C1, C2—525- μ F, 450-volt capacitor (Sprague No. D16442). (250- μ F, 600-volt for substitute capacitors)
- Type 1D0 battery connector plugs (4)

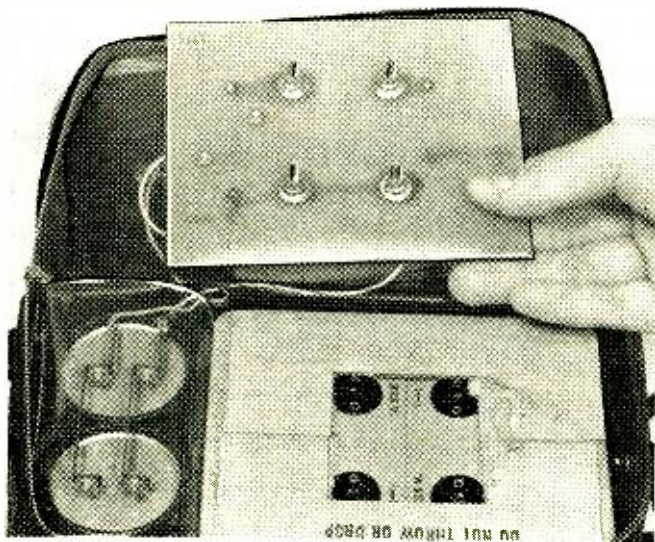
117V ac Power Supply

- D1, D2—1A, 600-volt rectifier
- F1—0.25A, 3AG pigtail fuse
- T1—Power transformer, Stancor P-6425 or equal
- S-1—spst switch
- MISC—See assembly drawing parts list below. Flashtubes specified are available from Edmund Scientific Co., Barrington, N. J. 18007. The stainless-steel reflector bowl is available from Sears & Roebuck Co.



Assembly Drawing Parts List

1. 225V Burgess XX150 batteries (2)
2. 525- μ F Sprague low-leakage photoflash capacitors
3. Battery-connector printed circuit
4. Copper buss bar for connecting capacitors
5. 0.25A 3AG pigtail fuse
6. 500-ohm, 50-watt resistor
7. 4-pin socket, Switchcraft No. 2504FP
8. 117V ac chassis-mount outlet
9. Mini-box housing for trigger circuit
10. Trigger pulse printed circuit
11. 5" dia. stainless steel mixing bowl
12. 5" dia. plastic flashtube shield
13. FT-118 flashtube
14. 4-socket plug, Switchcraft 2504M
15. Retractable cord, Belden 8602, 8603, 8604 or 8497



Plugs-eye-view of the circuit board that connects the batteries into the rest of the electronic system. Please note that these are high-voltage units; they pack a punch so be careful.

there are a few points to check if you have any trouble getting your flash unit to operate.

Trouble shooting casebook

If the lamp fails to operate, check the following:

1. Are batteries connected?
2. Are batteries connected in series? (Positive terminal of battery 1 should be connected to negative terminal of battery 2).
3. Does the negative power lead connect to shorted terminals 1 and 2 on the trigger circuit board?
4. Does the positive lead from the trigger circuit board to the flashtube anode? Negative lead to flashtube cathode?
5. Check capacitor terminals with a dc voltmeter for 450 volts dc. If no voltage, check the fuse.
6. Check voltage across the 0.5- μ F capacitor for 180 volts dc.
7. Check flashtube for cracks in glass around glass-to-metal seals.
8. Check trigger coil circuit to flashtube, use high-voltage probe and measure trigger voltage (5 to 15 kV).

A construction suggestion: Most camera stores carry small plastic "gadget" bags which make an ideal carrying case for the battery power pack. **R-E**

GUIDE NUMBER RATINGS*

50 WATT— SECOND FLASH	FILM ASA RATING	GUIDE NUMBER
	40	55
	65	70
	125	95
	165	110
400	170	

100 WATT— SECOND FLASH	FILM ASA RATING	GUIDE NUMBER
	40	76
	65	95
	125	125
	165	145
400	250	

*Suggested ratings may vary with equipment and are given as a starting point for individual adjustments.

USING ELECTRONIC FLASH

Taking a picture with an electronic flash is similar to taking any other kind of flash picture. However, there are differences. First you use the daylight rating of the film and you use daylight film. The electronic flash duplicates the light spectrum of normal daylight.

Second, always use the X setting when using electronic flash. If you don't you may not get a picture.

Third, you can use just about any shutter speed you wish. The flash is so fast that it determines the speed of the exposure. However, it is desirable to avoid slow shutter speeds to reduce the effects of incident light. (For focal plane shutters do not use speeds faster than 1/60 second.)

To get the lens aperture use the guide number chart at the bottom left of this page. The proper guide number you should use can be found next to the ASA rating of your film.

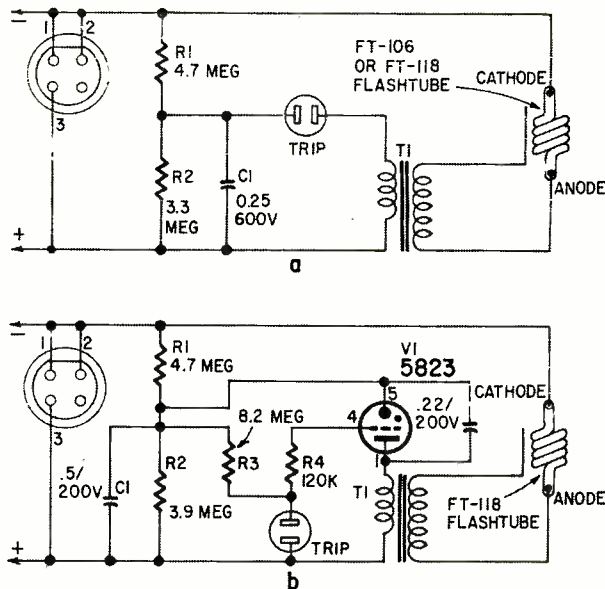


Fig. 2-a—Class-I trigger circuit for low-power flashtubes. Trigger current passes through camera-sync contacts. b—In Class-II circuit, a thyatron tube prevents contact overload.

JUST THE BEGINNING

If you liked this article you'll want to read the other electronics in photography features that appear in this issue.

On page 39 Associate Editor John Free's article "IC Electronics For Shutterbugs" appears. It's a broad-coverage article on today's electronics in modern photography.

And for the darkroom we've got a construction story on a digital darkroom timer on page 68. Flip the toggle switches to set the exposure timer for your enlarger. This all-electronic mechanism has no moving parts.

KENWOOD receivers offer you THREE WAYS TO IMPROVE YOUR HEARING ...TK-88, TK-66 and TK-55

Even speech sounds crisp, clear and natural. And music really comes alive because KENWOOD solid state receivers reproduce exactly the original material.

Each of these KENWOOD stereo receivers is a magnificent instrument with the most advanced engineering features. Compare them with others for specifications, performance and value. Each KENWOOD receiver is known the world over for dependability, reliability and quality.

There never will be a better time than now to improve your hearing. Sound test these KENWOOD receivers at your nearest KENWOOD franchised dealer... and decide which one is best for you.

(shown from top to bottom)

- KENWOOD TK-88... FET, solid state, FM/AM, 90-watt stereo receiver
- KENWOOD TK-66... FET, solid state, FM/AM, 60-watt stereo receiver
- KENWOOD TK-55... FET, solid state, FM only, 60-watt stereo receiver



the sound approach to quality



KENWOOD

3700 S. Broadway PL, Los Angeles, Calif. 90007
69-41 Calamus Ave., Woodside, N. Y. 11377
Exclusive Canadian Distr. - Perfect Mfg. & Supplies Corp. Ltd.

Circle 25 on reader service card

Join "THE TROUBLESHOOTERS"

They get paid top salaries
for keeping today's
electronic world running

Suddenly the whole world is going electronic! And behind the microwave towers, push-button phones, computers, mobile radio, television equipment, guided missiles, etc., stand

THE TROUBLESHOOTERS
—the men needed to inspect, install, and service these modern miracles. They enjoy their work, and get well paid for it. Here's how you can join their privileged ranks—without having to quit your job or go to college in order to get the necessary training.



JUST THINK how much in demand you would be if you could prevent a TV station from going off the air by repairing a transmitter...keep a whole assembly line moving by fixing automated production controls...prevent a bank, an airline, or your government from making serious mistakes by servicing a computer.

Today, whole industries depend on Electronics. When breakdowns or emergencies occur, someone has got to move in, take over, and keep things running. That calls for one of a new breed of technicians—The Troubleshooters.

Because they prevent expensive mistakes or delays, they get top pay—and a title to match. At Xerox and Philco, they're called Technical Representatives. At IBM they're Customer Engineers. In radio or TV, they're the Broadcast Engineers.

What do you need to break into the ranks of The Troubleshooters? You might think you need a college degree, but you don't. What you need is know-how—the kind a good TV service technician has—only lots more.

Think With Your Head, Not Your Hands

As one of The Troubleshooters, you'll have to be ready to tackle a wide variety of electronic problems. You may not be able to dismantle what you're working on—you must be able to take it apart "in your head." You'll have to know enough Electronics to understand the engineering specs, read the wiring diagrams, and calculate how the circuits should test at any given point.

Learning all this can be much simpler than you think. In fact, you can master it without setting foot in a classroom...and without giving up your job!

For over 30 years, the Cleveland Institute of Electronics has specialized in teaching Electronics at home. We've developed special techniques that make learning easy, even if you've had trouble studying before. Our AUTO-PROGRAMMED® lessons build your knowledge as easily and solidly as you'd build a brick wall—one brick at a time. And our instruction is personal. Your teacher not only grades your work, he analyzes it to make sure you are thinking correctly. And he returns it the same day received, while everything is fresh in your mind.

Always Up-To-Date

To keep up with the latest developments, our courses are constantly being revised. This year CIE students are

NEW COLLEGE-LEVEL COURSE IN ELECTRONICS ENGINEERING

for men with prior experience in Electronics. Covers steady-state and transient network theory, solid state physics and circuitry pulse techniques, computer logic and mathematics through calculus. A college-level course for men already working in Electronics.

getting new lessons in Laser Theory and Application, Microminiaturization, Single Sideband Techniques, Pulse Theory and Application, and Boolean Algebra

In addition, there is complete material on the latest troubleshooting techniques including Tandem System, Localizing through Bracketing, Equal Likelihood and Half-Split Division, and In-circuit Transistor Checking. There are special lessons on servicing two-way mobile radio equipment, a lucrative field in which many of our students have set up their own businesses.

Your FCC License—or Your Money Back!

Two-way mobile work and many other types of troubleshooting call for a Government FCC License and our training is designed to get it for you. But even if your work doesn't require a license, it's a good idea to get one. Your FCC License will be accepted anywhere as proof of good electronics training.

And no wonder. The licensing exam is so tough that two out of three non-CIE men who take it fail. But our training is so effective that 9 out of 10 CIE graduates pass. That's why we can offer this famous warranty with confidence: If you complete a license preparation course, you get your FCC License—or your money back.

Mail Card for 2 Free Books

Want to know more? Send for our 44-page catalog describing our courses and the latest opportunities in Electronics. We'll send a special book on how to get a Government FCC License. Both are free—just mail the bound-in postpaid card. If card is missing, use coupon below.

ENROLL UNDER NEW G.I. BILL

All CIE courses are available under the new G.I. Bill. If you served on active duty since January 31, 1955 or are in service now, check box on card or coupon for G.I. Bill information.

CIE Cleveland Institute of Electronics

1776 East 17th Street, Cleveland, Ohio 44114

Cleveland Institute of Electronics

1776 East 17th Street, Cleveland, Ohio 44114

Please send me without cost or obligation:

1. Your 44-page book "How to Succeed in Electronics" describing the job opportunities in Electronics today, and how your courses can prepare me for them.

2. Your book on "How To Get A Commercial FCC License." I am especially interested in:

- | | | |
|--|---|--|
| <input type="checkbox"/> Electronics Technology | <input type="checkbox"/> Broadcast Engineering | <input type="checkbox"/> First Class FCC License |
| <input type="checkbox"/> Electronic Communications | <input type="checkbox"/> Industrial Electronics | <input type="checkbox"/> Electronics Engineering |

Name _____ (PLEASE PRINT)

Address _____

City _____ State _____ Zip _____

Check here for G. I. Bill information.

RE-57



Four-Channel Audio Mixer

Lets you blend four instruments or mikes into one amplifier input

by Jack Jacques*

THIS HANDY LITTLE AUDIO MIXER PERMITS combining up to four separate high-impedance devices into a single amplifier low impedance input stage. When used with the HEP Guitar Amplifier (RADIO-ELECTRONICS, November 1968), for example, up to four instruments and/or microphones can

*HEP Technical Manager
Motorola Inc. Phoenix, Ariz.

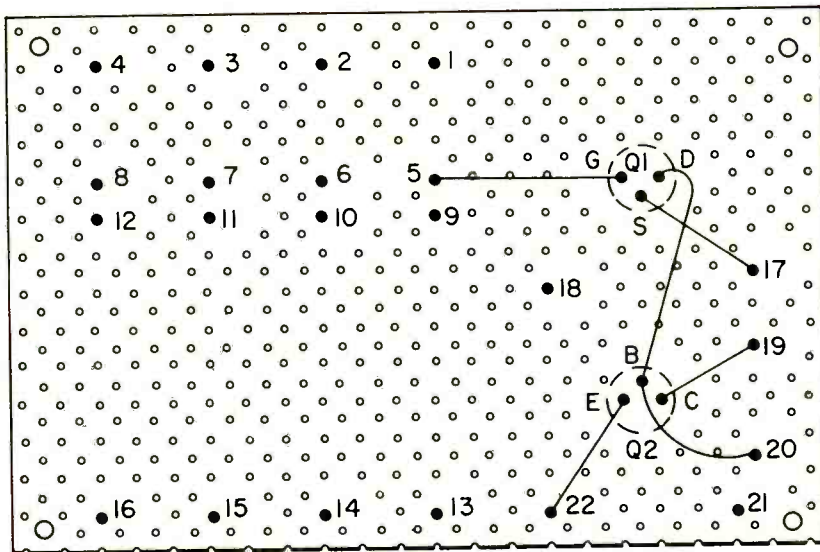
be fed into one input. There are separate level controls for each instrument.

You'll also find this mixer handy with the Vibrato, Reverberation, Fuzz Box and Electronic Bongos to be described in coming months.

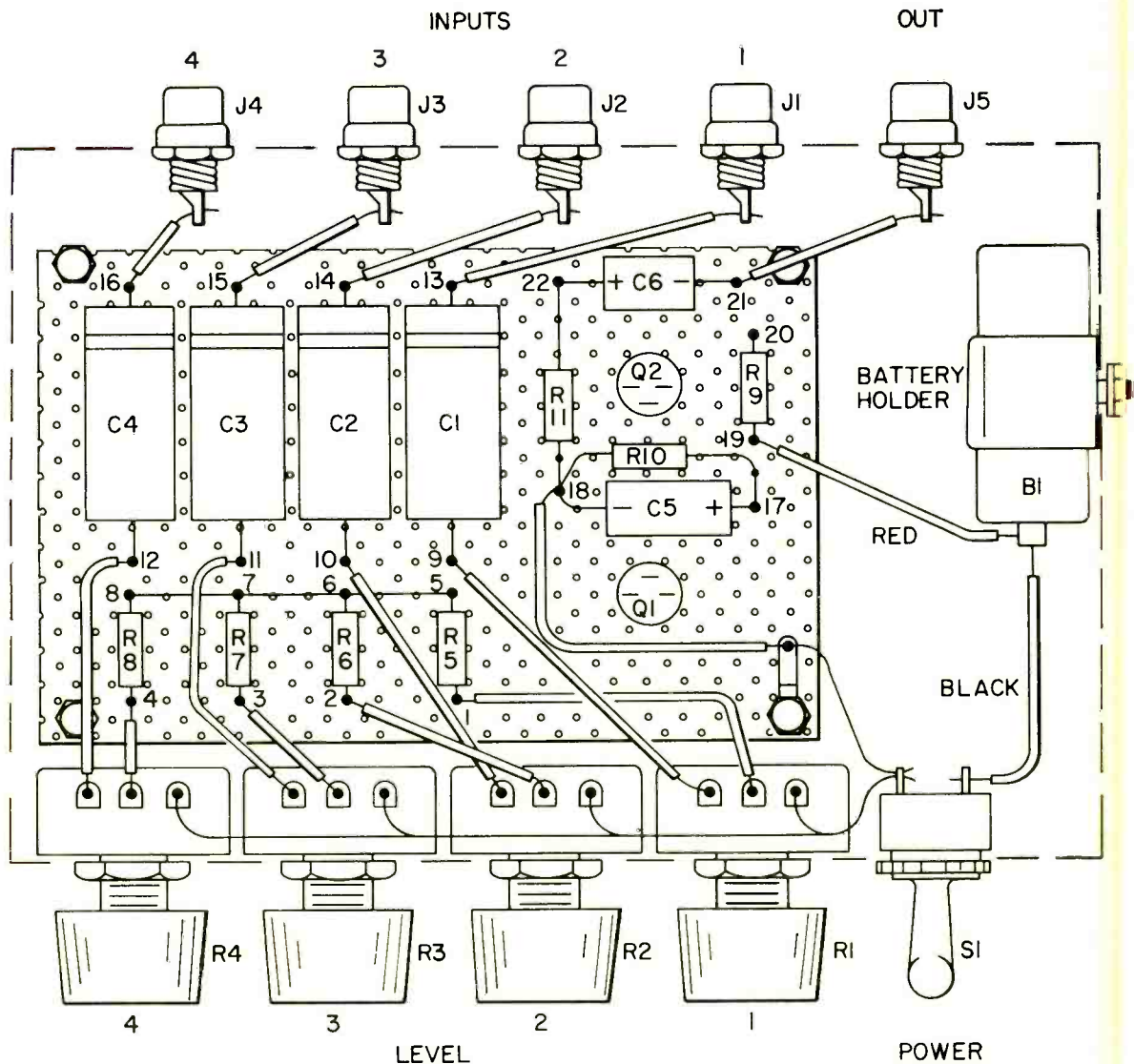
Frequency response of the mixer is about ± 3 dB from 20 Hz to 100 kHz. Voltage gain runs between 5 and 10 dB, depending on the characteristics of the the FET and transistor you purchase. However, the maximum output level you can expect

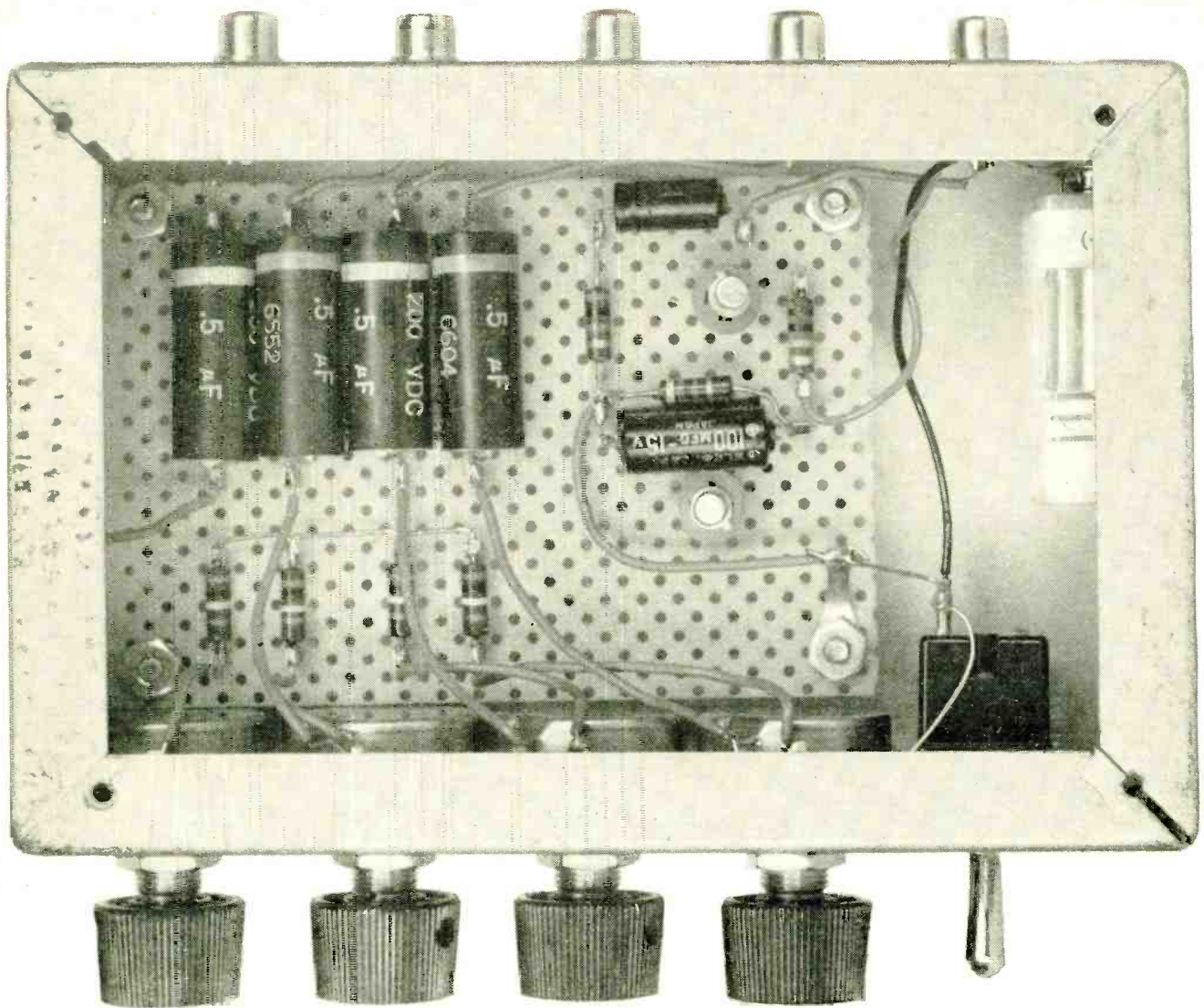
PARTS LIST

B1—9 volts, mercury (Mallory TR146X or equiv.)	R1—R4—potentiometer, 25,000 ohms (Mallory U29 or equivalent)	tery clip, battery holder, transistor sockets (2), 2 $\frac{3}{4}$ " x 4" terminal board (cut to size), push in terminals (22 Keystone 1499-FT or equiv.), terminal lug, 6-32 x $\frac{3}{4}$ " machine screws, pan head (4); 6-32 nuts (12), 4-40 x 3/16" machine screws, pan head (2); 4-40 nuts (2), rubber feet (4).
C1—C4—0.5 μ F, 100 V, Mylar	R5—R8—100,000 ohms	
C5—200 μ F, 10 V, electrolytic	R9—10,000 ohms	
C6—25 μ F, 10 V, electrolytic	R10—4700 ohms	
J1—J5—Phono jacks	R11—1000 ohms	
Q1—N-Channel FET HEP801 (Motorola)	S1—spst toggle switch	
Q2—npn transistor HEP50 (Motorola)	Misc: 5" x 7" x 2" chassis and cover. Bat-	

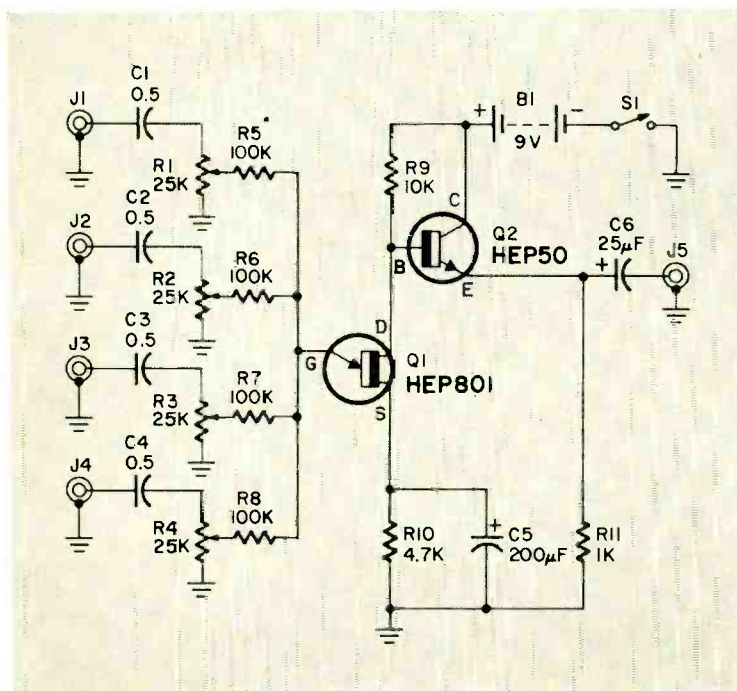


Component placement and wiring for the top and bottom of the board are shown in the pictorial. Numbers for the bottom view (left) correspond to those on the view below. Parts layout is not critical, but this arrangement will assure a satisfactory project.





Use insulator standoffs to mount the terminal board to the chassis. Bolt or rivet the battery holder to the side of the chassis.



from this unit is 1 volt rms.

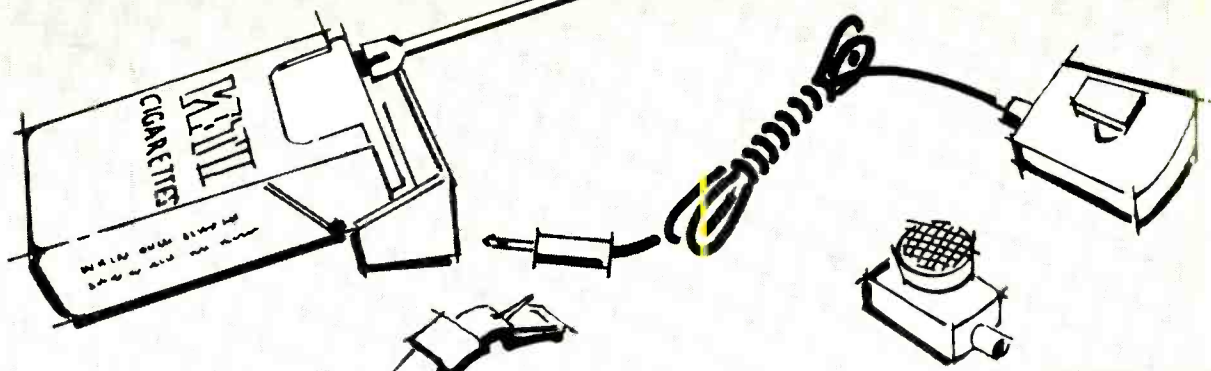
Construction is relatively easy. Just make sure you follow the detailed pictorial diagrams carefully. All wiring details and parts locations are illustrated.

At this point, you can now have a 10-watt guitar amplifier, an inverter to make it portable and a mixer. In the April R-E issue we will present details on the vibrato.

In the meantime how about some of you dropping R-E a line to tell us how far you've gotten. Include a snapshot or two if possible.

R-E

Variable, high-impedance input stages accept four high-impedance instruments or mikes. Mixer acts as impedance matching device between inputs and your amplifier. Voltage gain is from 5 to 10 dB.



By BYRON G. WELS

Despite new laws against electronic surveillance, "bugging" is a booming business. Find out what you can do to protect yourself

Don't let them bug you!

CHANCES ARE SOMEBODY WOULD LIKE TO LISTEN IN ON your private conversations. And if they really want to, they can. However, there are steps you can take to foil the eavesdropper.

You'd be amazed who'd like to listen in. Business competitors would like to know more about your business affairs so they can conduct theirs accordingly. People in your own firm would like to learn more about you—possibly to learn how best to impress you. Or your peers might like to short-circuit your attempts at promotion.

In your own home? Well, I don't want to sow seeds of doubt, but do you have a suspicious wife? How about your neighbors? Then, too, could business relations be anxious to overhear what you have to say in the privacy of your home?

If there's one common thread among people who have found that they've bugged, it's their surprise at the extent and detail to which a "spy" will go to accomplish his end.

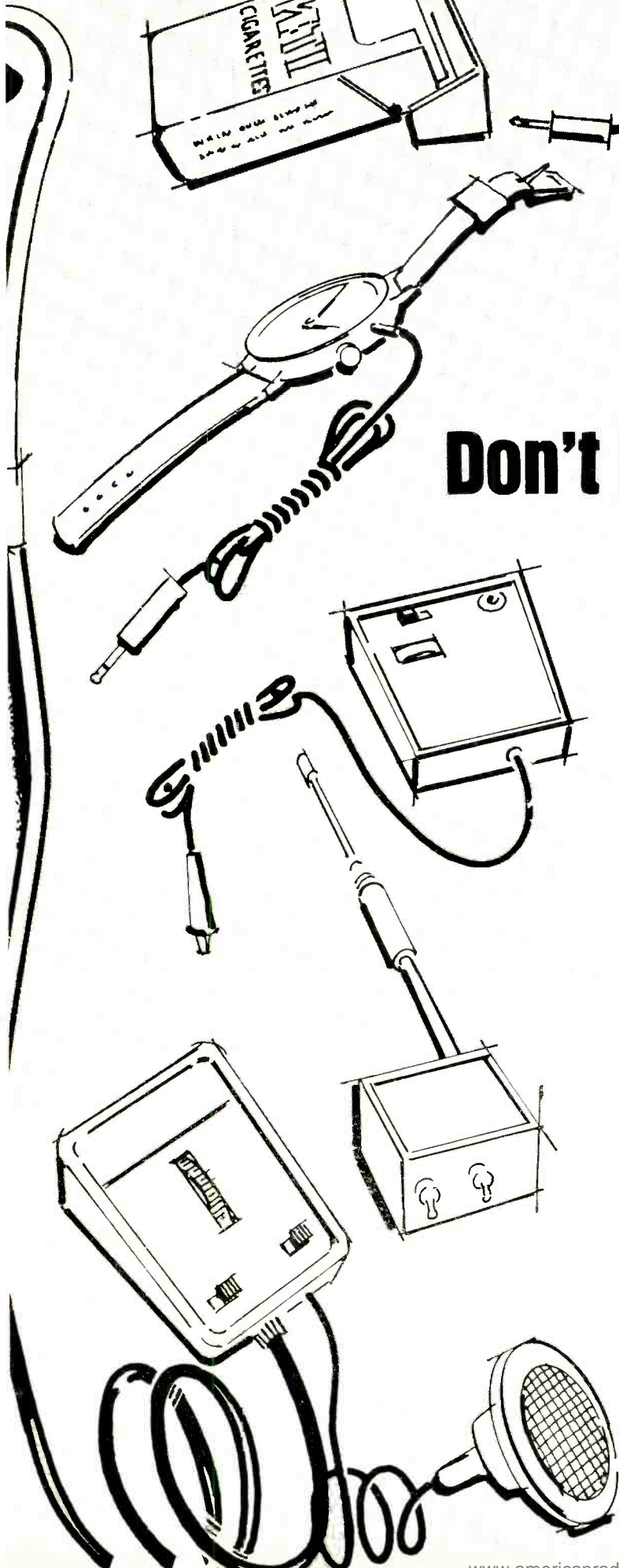
How bugs are planted

The easiest way to plant bugs is to have open access to the room. But this isn't really necessary. One recent case revealed that an office was being neatly tapped by a worker in the neighboring office who had rigged up a stethoscopic earphone to a small transistor amplifier. The pickup was a contact microphone of the type used on musical instruments, held firmly in contact with the separating wall between the offices—a wall that acted like a sounding board.

By far the most exotic applications are listening devices attached to telephones. You can purchase such units if you've got the price—\$150 to \$500. But they are easy enough to construct if you understand a bit about FM and telephones!

One such unit fits inside the telephone base. Once installed, the "spy" merely dials that number, and blows a small whistle into the mouthpiece of his phone. This signal keeps your phone from ringing, but from then until he hangs up his phone, the transmitter of your own phone will pick up room conversations and relay them to his telephone carpiece. Nice?

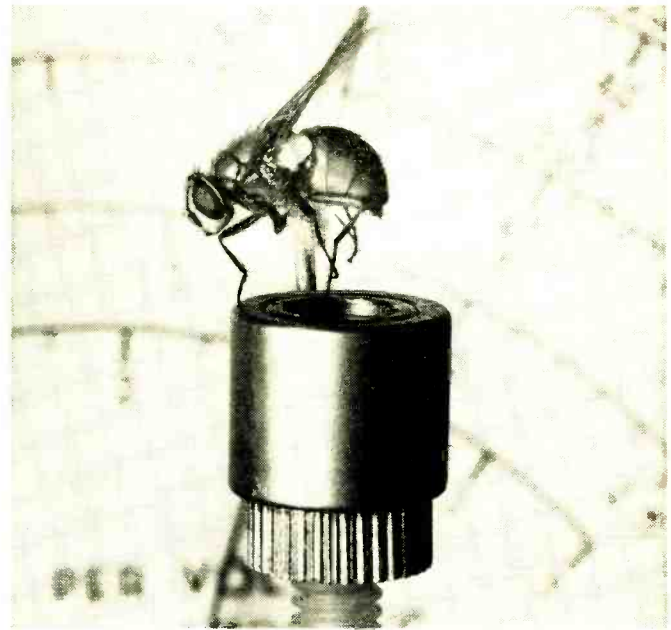
Another device is about the size of a silver dollar. It's a printed-circuit unit, using integrated circuits. To install





When telephone bugging is suspected, this "scrambler" assures private conversation. Voice is electronically coded and decoded at sender's and receiver's station.

Bug-size microphone, originally made for use in physics and biology labs, easily picks up sound of fly wings. Sensonics-built device contains a very high gain preamplifier.



it, simply remove the mouthpiece cover from any telephone (it easily unscrews), then drop the phone company's transmitter button into your hand. Place the wafer-bug in the phone, drop the transmitter back and screw the cover down.

This unit has an added feature. It draws its necessary 10 volts operating power from the telephone system each time you pick up the phone. The unit is a miniature FM transmitter, uses the telephone cord as an antenna and has a range of about 1000 feet, broadcasting to any nearby FM receiver tuned to the same frequency.

All bugs are not electronic. Another investigation recently revealed that a puzzling vital information leak was none other than an underpaid cleaning lady who came in at night to empty waste baskets and clean desks. Her careful cullings went to the competition, with a big fat bonus for her trouble.

Some electronic bugs are pretty elaborate in their simplicity. A 1" diameter blind hole can be quickly drilled on the underside of a wooden desk or table top. The mike button is placed in the hole and walnut wood filler is added to keep it in place. The wire leads are bonded to the wood with a dab of silver or copper conducting paint, which is then drawn along the underside, down a leg of the table, to a small hole in the carpeting. The silver conductive stripes are then covered with stain, and are totally invisible. Once under the carpeting, small wires can bring the signal to an amplifier and the "spy's" ears.

Lamps are another favorite location for eavesdroppers. The light bulb is removed and replaced with a soft plastic bulb which conceals a microphone. The lamp's line cord serves as conductor for the signal. The plastic light bulb? A mere 50¢ at any magic shop.

Bugging devices can be concealed just about any place in any room. Small FM transmitters designed for local broadcasting to a nearby tuner or receiver are easily hidden in a pack of cigarettes. Like a pack of cigarettes, they can be casually dropped behind a chair or hidden in a hollowed-out book.

How "safe" can you get?

For greatest protection against electronic eavesdroppers some organizations have resorted to building a room within a room. It's actually a small metal, wood and plastic box large enough to hold several people seated around a table. This windowless room sits on legs above the regular floor of the larger room and its roof falls somewhat short of the larger room's ceiling.

The walls of the secure room are designed so that they do not transmit sounds and they are electronically shielded. In addition, random noise generators operate in the larger outside room. The door to the secure room cannot be opened to admit a newcomer to a meeting until a red light first has flashed, and the occupants have stopped talking.

Why is such a drastic procedure necessary? Because even a newly built building can be "bugged". One of the simpler techniques of bugging a building under construction is to drop a protected microphone into wet concrete next to a steel reinforcing rod. The mike then cannot be located with a metal detector. Very thin wires are run from the mike, along steel girders and reinforcing rods and on water and sewer pipes to monitoring posts well away from the building.

This was the sort of system uncovered in 1964 in the U. S. embassy in Moscow and in a brand new U. S. embassy in Warsaw, Poland. So remember, cost is the

important factor. If your conversations are worth listening to, there may be extra ears listening.

If you find one

If the "bugger" thinks you suspect him, chances are he'll plant a bug for you to find. He'll carelessly leave it in a vase of flowers or in a drawer. You find it, smash it and think you're safe. However, a smart surveillance man has several plants in any given room, so he can get good pickup wherever you move. If you find one, chances are there are others.

Look at it from the point of view of the guy planting the bugs. If he's a professional, he received a big fat fee for the job. The bugs themselves are expendable. He probably won't even attempt to recover the units, preferring to sacrifice them rather than run the additional risk of a second entry. If you find and smash a few of his units, he simply shrugs his shoulders and drives off.

Nor does he care a hoot about what you call him. He's in a dirty business, so don't think you'll discourage him by stomping around the room and swearing.

Once you find positive evidence that bugging is taking place, try to locate the devices themselves. Ask yourself where you would conceal them if you entered the room for the first time. If you find a unit, handle it with care and notify your company officers if the unit is found in your place of business, or the local police if it's in your home. Many commercial units have serial numbers that can lead authorities to the source, who might enable them to trace the buyer.

In one case inexpensive Citizens-band transceivers, locked in the transmit position, were found taped under an executive's desk. Their presence was not suspected, and they were revealed only when the tape let go and the unit dropped to the man's lap. Tracing the serial numbers and a bit of subsequent fingerprinting tied up the case.

Can you foil a bug?

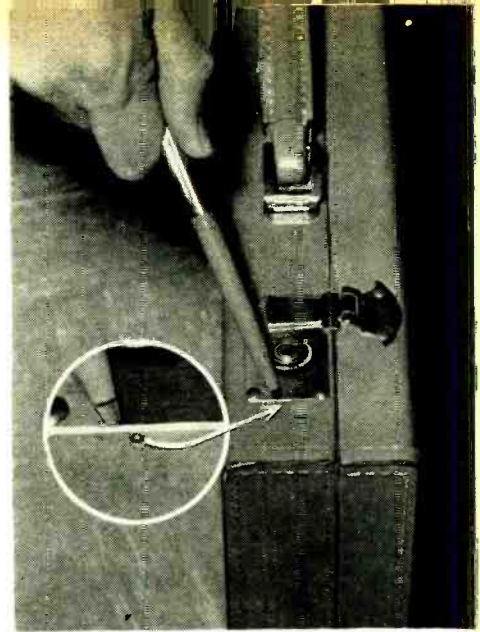
Sure you can—but it can be pretty expensive. There are firms that make a business of probing with electronic bug-detecting equipment. For a fee, they will electronically examine your home or office to check for the tell-tale signals that indicate a bug is operating.

There are easier ways. Remember that a bug cannot always be placed for optimum sound pickup. The listening agent must compromise and settle for what he can get. It isn't hi-fi by a long shot. Placing bugs where they can't be seen doesn't mean the best sound pickup at all times.

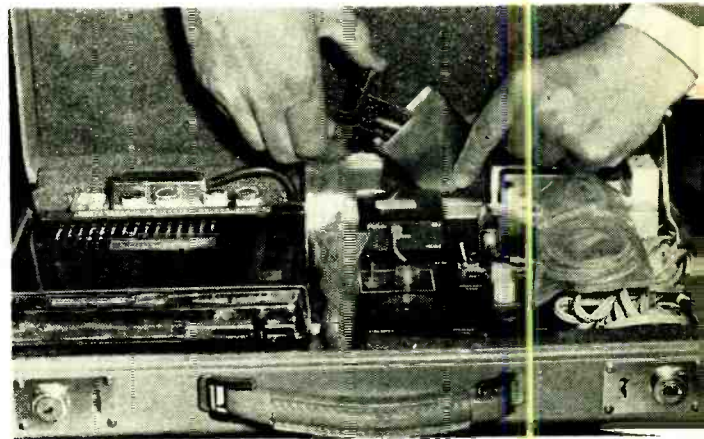
The best and least expensive way to foil the listener is to play a small transistor radio in the room where you're conversing. Pick a music station. The music blankets the full audio range, and any spoken words that the listener hears will be totally garbled by the music.

Another good foil is to arrange important conferences out of the office. A local luncheonette or bar, for example, usually provides a safe place to talk. But don't make appointments for such meetings over the telephone!

Modern industrial firms faced with similar problems have worked up new solutions. One major company hit on a novel answer. It created a conference room totally void of furniture and with a plain white tile floor, solid walls and ceilings. Only one door provides access to the room. The room is carefully examined before a conference, and the bare minimum of furniture is moved into the room just prior to the conference. People attending are also checked before admission, as are their clothing and other possessions. It's an *almost* foolproof system, but if a "bugger" wanted to, he'd probably find a way!



Familiar objects like this attache case are seldom suspected as "bugs." Tiny microphone hidden near brasswork works with recorder.



Voice-activated tape recorder (left foreground) saves battery power and tape. The crystal-controlled transmitter being held will transmit conversation to remote receiver.

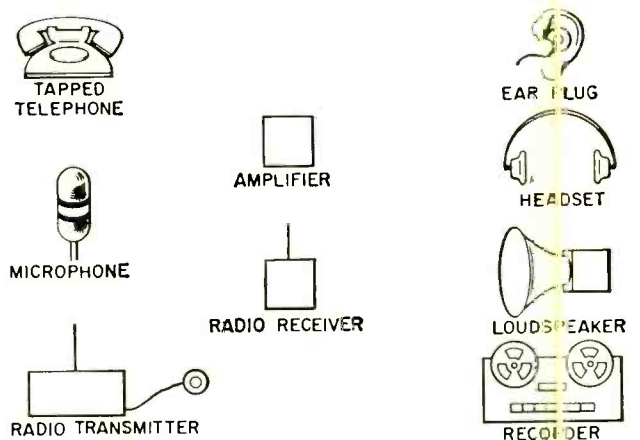
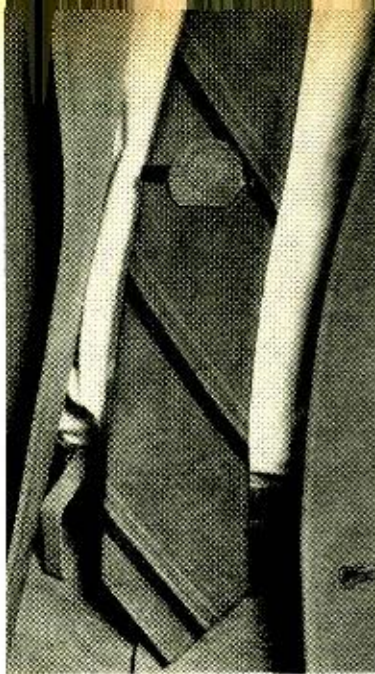
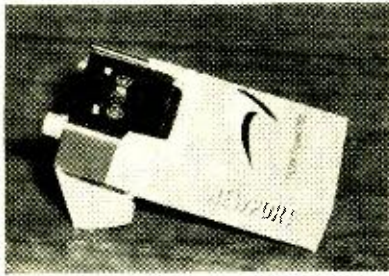


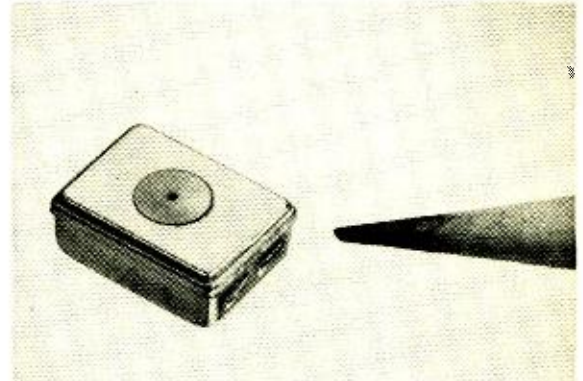
Diagram shows basic transmitting and receiving equipment for electronic surveillance. Under some conditions, all three transmission and four reception methods might be used at once.

A cigarette package is another familiar enclosure for hiding a surveillance device. This miniature radio transmitter can transmit two city blocks with its built-in short-wave antenna.



Innocent looking tie clip is a sensitive microphone that can be connected to recorder or transmitter.

This subminiature microphone's dimensions are only .500" x .375" x .200", but it has a wide frequency response. Output is amplified for taping or transmission.



Recorders can be located

The heart of any bugging system is the recorder that monitors and records the overheard conversation. Reliability is the paramount consideration. As a result, the eavesdropper may pay as much as \$1200 for a recorder.

Fortunately, it is possible to detect an operating recorder. As you know, when recording the magnetizing of the tape is not a simple linear function of the magnetic field acting on the tape. Actually, it is a non-linear process that can result in a distorted sound image. To overcome this, recorder manufacturers impose a high frequency bias of 20,000 to 100,000 Hz on the tape as it is recorded. This smooths out many of the irregularities and improves the recorded effect.

This high-frequency signal is easily detected by a counterintelligence "sweeper" when he approaches the vicinity of the recorder. Placing the recorder in a shielded box will reduce and sometimes can eliminate the spurious signals making the recorder extremely difficult to locate.

When a recorder is used to tap a phone line, some detectable amount of the high-frequency signal may leak back onto the tapped phone line, even though the coil is not in physical contact with the line. As a result it is sometimes possible to detect a tapped line.

Use a specialist

Good counter-intrusion specialists do not come cheap. One top West Coast firm, Police Systems Inc., Santa Ana, Calif., is an excellent example of why. The company's vice president, Robert Jefferies arrives at clients' plants and offices in a late-model Lincoln fitted out from bumper to bumper, from floorboards to roof, with sophisticated electronic gear, most of it custom made. One receiver designed to pick up weak signals from a miniature transmitter several blocks away costs \$55,000 and another one was delivered for \$30,000.

The Lincoln is not an ostentation. Jefferies needs a large, roomy car heavy enough to bear the weight of his equipment and reliable enough to meet all sorts of unplanned situations.

Another Californian, Harold K. Lipset, an ace San Francisco investigator, has described a schedule of fees

that is fairly typical of those charged by reputable agencies. To sweep the average office for bugs, Lipset service generally receives about \$250. The fee for insuring the security of a small conference room runs about \$100. A large classified meeting of 100 persons where each person, all chairs, tables fixtures and walls, floor and ceiling must be guaranteed secure, can lead to a bill upwards of \$1,000.

Can I be sure?

Let's face facts. If somebody is bugging you, chances are that, unless professionals are involved, he will be using commonly available devices. Certainly the telephone is worthy of careful examination and scrutiny. If you're really worried about the phone, you can get a scrambler and unscrambler, which electronically chops up your phone conversations so that the eavesdropper will be mystified by the garbled sounds he hears. The party to whom you are speaking must also be equipped with this device.

Bugs planted in a room, unless placed by a professional, are usually one of two types: wireless and wired. The latter need conductors to bring the information to the bugger, and the best way to locate them is to look for wires that don't belong in the room. Also examine ventilators and concealment areas—behind radiators or in lamp shades.

Wireless types are either FM or Citizens-band units. Both are easy to detect. Get a small FM receiver, and tune it across the band. Pay particular attention to frequencies between the regular broadcasting stations, and listen for a hiss. When you hear that, start talking. If you hear your own voice coming out of the FM receiver, you can bet that it's coming out of the bugger's receiver also!

To check for CB bugging, use a CB unit in the receive mode, and switch from channel to channel, whistling or speaking at each channel.

But don't worry for too long. In the course of preparing this article, we came across a case where a firm didn't plant bugs in the competition's offices—instead they planted rumors that they HAD planted bugs! The result? Weeks of confusion while the competition ran around and spent a small fortune trying to locate nonexistent bugs!

R-E

IC ELECTRONICS FOR SHUTTERBUGS

*Integrated circuits are gradually invading the photographic field.
Here's a look at new—and future—solid-state applications*

by **JOHN R. FREE**
ASSOCIATE EDITOR

THERE'S A SOLID-STATE REVOLUTION in modern photography. You name the device—IC, transistor, photoresistor—it's being used in a camera, photoflash or other piece of photographic gear.

Electronic shutters, which have inched gradually into the medium-price camera market in recent years, should become more prevalent as low-cost European models shown at Photokina (Cologne, Germany, photo show last October) reduce Japan's lead in the field. (See June 1967 *RADIO-ELECTRONICS*, p. 58.) Integrated circuits will cut shutter costs further when mass-production economies take hold.

Some manufacturers are phasing out the delicate, inertia-prone galvanometer from their cameras, replacing it with bulb-readout circuitry. And Zeiss Ikon Voigtlander now offers two models of their Ikophot, a meterless exposure "meter" that couples a transistorized bridge circuit with signal lamps. Photocell-regulated flash units, probably the most sophisticated photographic devices on the market, are this year sold by three companies. (A patent on one regulation technique has been held by Honeywell since 1965.) Pocket-size strobes to fit popular 35mm cameras are now common.

Whether you're a weekend shutterbug, an advanced amateur or a professional, the new electronic gadgetry can put greatly improved accuracy and reliability in your hands—at reasonable cost. This means film can be consistently exposed to recommended ASA ratings, leaving you free for creative photography instead of f-stop and shutter-speed worries.

IC shutter control

West Germany's Prontor shutter firm is switching its electronic shutter line to IC's, and their new 500S IC



Smaller still: Circuits for this photocell-regulated flash, Honeywell's Auto-Strobonar 660, have been packed into a smaller but similar automatic strobe, the 440, for shoe mounting (see page 42). New techniques simplify miniaturization.

shutter is being used in Voigtlander AG's 500SE electronic camera.

But a radically new approach to electronic exposure control is a monolithic IC containing 37 transistors, 23 resistors and 3 diodes, developed at the Dutch research labs of Philips,

Europe's largest electronics company. The IC, which requires sophisticated manufacturing techniques, is the logical next step for electronic cameras.

Philips' unusual IC has a light-sensitive, filter-compensated silicon diode (also integrated) mounted in the

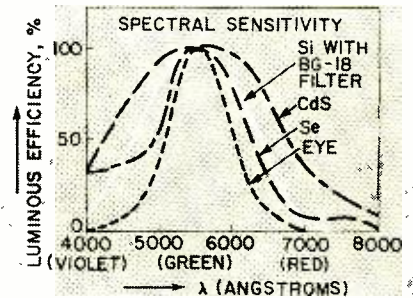
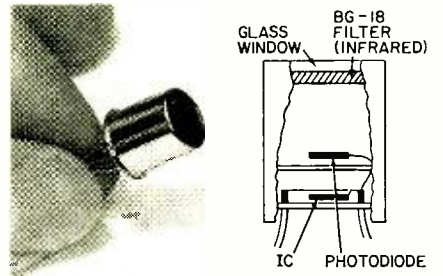
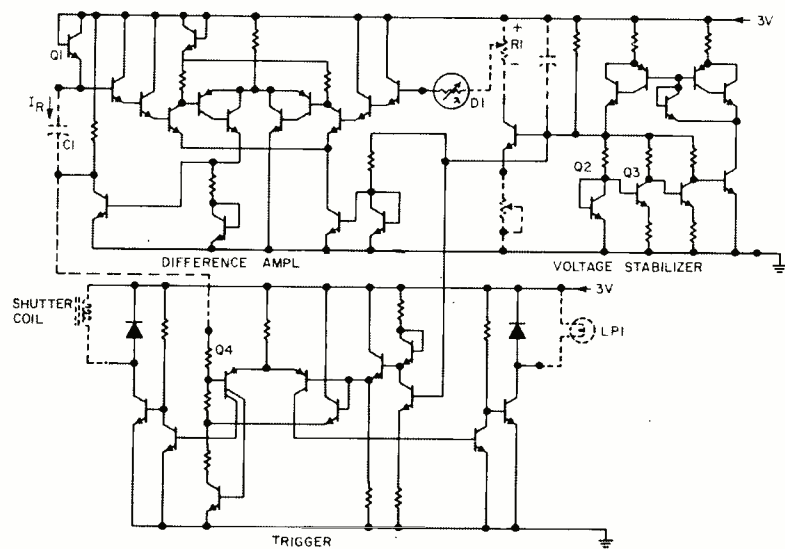


Fig. 1—New IC has nearly complete circuit for electronic shutter control on a few square millimeters, including a photodiode. Photo and drawing show size and structure of the IC. Graph indicates spectral sensitivity of filter-corrected photodiode.

IC case (see cutaway drawing). Thus the key component for electronic shutter control, a photosensitive cell, is an integral part of the circuit. Linear potentiometers for calibration, film sensitivity and diaphragm setting, a capacitor, 3-volt battery and electromagnetically operated shutter complete the system.

Silicon (Si), like most photovoltaic material, responds to infrared as well as visible light. To make the silicon diode "see" the wavelengths a human eye sees, Philips shifts its spectral response with a BG-18 infrared filter beneath the IC's "window." The filter's effect is shown in Fig. 1 (graph). Instead of normally peaking at the high end of the spectrum (near infrared), the diode's spectral sensitivity is shifted to the center, closely matching that of the eye, which is most sensitive to green light at 5550 angstroms. Response curves of cadmium sulphide (CdS) and selenium (Se), two other common photocell materials, are also shown.

The IC circuit (Fig. 1) consists of a voltage stabilizer, a difference amplifier, trigger circuit and a silicon photodiode.

An exposure begins when the shutter is opened and light striking photodiode D1 generates a voltage proportional to illumination intensity. To this voltage (V_m) an adjusting voltage ($V_t + V_s$) for filmspeed and diaphragm setting is added. The sum voltage is fed to one branch of a three-stage Darlington circuit. The other branch, containing a reference diode (Q1 used as a diode), is used for feedback.

The output current of the amplifier (I_R) is fed through Q1 and integrated by capacitor C1 until the amount of light has reached the precise level called for by the setting of R1. The integration time can be any fractional interval from 1/1000 sec to 20 seconds. This superaccuracy is the major advantage of electronically controlled shutters over those with fixed shutter speeds.

With measuring capacitor C1 charged to the proper level, dual collector Q4 in the trigger circuit conducts, the shutter coil is energized and the shutter closes. Feedback from Q4's second collector is used to insure rapid response of the trigger circuit.

The film-speed and diaphragm-setting voltage ($V_t + V_s$) must be

linearly dependent on temperature. Therefore, a unique voltage stabilizer is incorporated. It has two matched-pair transistors, Q2-Q3, and a stabilized voltage difference between their pn junctions is obtained by maintaining the junctions of these two transistors at different current levels with a fixed current ratio.

If a resistor instead of charging capacitor C1 is switched into the circuit, the current I_R can be used to check battery voltage, indicate possible under- or overexposure, the need for a tripod (with lamp LP1), or to automatically adjust a diaphragm with a servo motor. Film speeds from 25 to 2800 ASA and lens apertures from $f/2$ to $f/16$ are possible with this arrangement developed by Prontor.

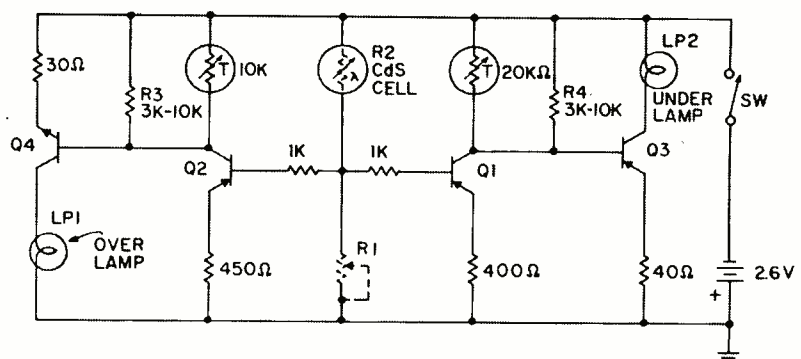


Fig. 2—Circuit used by Yashica in the IC Lynx 5000E camera. When aperture ring R1 is adjusted properly, over-under lamps LP1 and LP2 are out. Resistance ratio of R1 and CdS cell R2 determines correct exposure. Photos (right) show back and front views of thick-chip hybrid IC. Circuit replaced meter and moving parts in the standard Lynx.

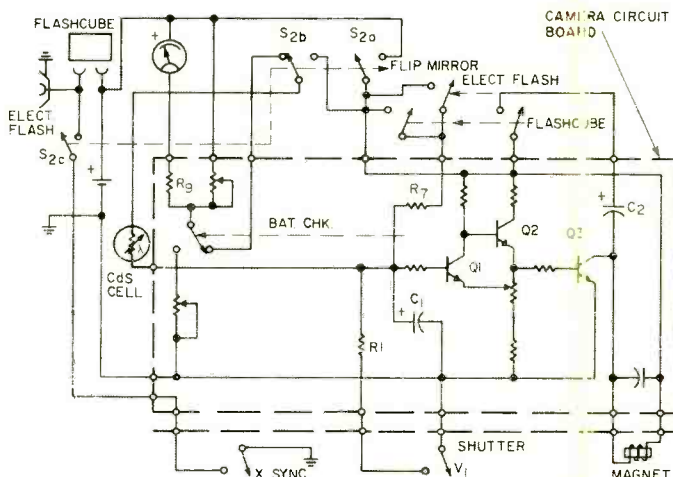


Fig. 3—Partially depressing release button on the new Kodak Instamatic Reflex gives a meter preview of shutter speed (photo left). Integrating capacitor C1 triggers Q1 when the CdS cell conducts, and the shutter blades close.

Yashica Co., one of Japan's major camera manufacturers, recently added an integrated circuit to its Lynx 5000E 35mm camera to replace the meter and other moving parts of their standard Lynx model. The four-transistor IC is a thick-chip hybrid, with most of resistors deposited on the base (see photos below).

"Over" and "under" lamps LP1 and LP2 (Fig. 2) are used to indicate when aperture ring R1 is adjusted properly for prevailing light (both lamps out).

The lamps are controlled by the resistance ratio between CdS photoresistor R2 and aperture ring R1. The resistance of R2 decreases as it receives more light. When there's too little light for the settings (a dark sub-

ject) and R2's value is higher than aperture ring R1, transistors Q1 and Q2 are off. With Q1 off, Q3's base is biased negative and it conducts to light the "under" lamp.

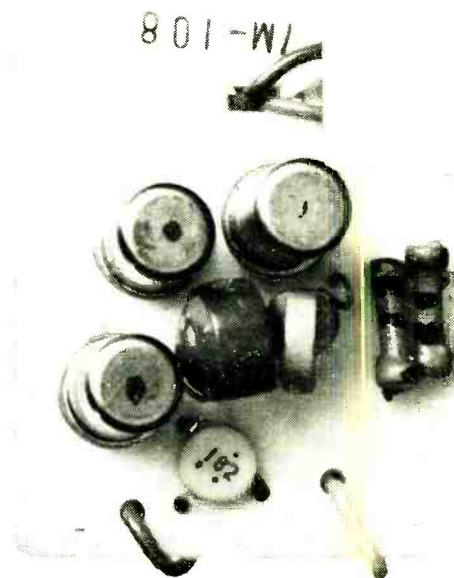
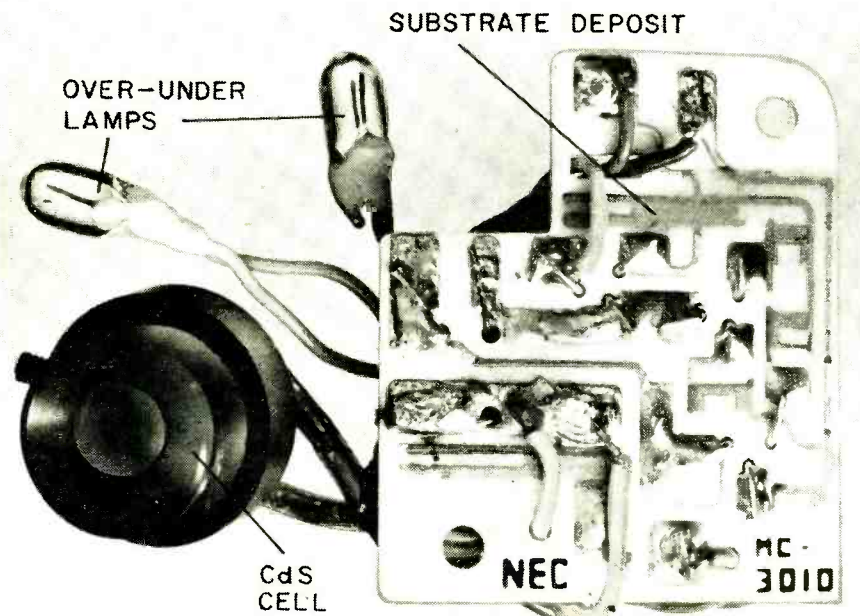
With too much light, the value of R2 is lower than R1, and both Q1 and Q2 conduct. Now Q4, the only npn-type of the series, conducts and the "over" lamp lights.

When the correct setting is reached (arrows in the viewfinder indicate what direction the aperture ring must be turned), values of R1 and R2 balance. Q1 is on, Q2 is off and both Q3 and Q4 are off. The values selected for fixed resistors R3 and R4 determine the "light out" range of the circuit. The thermistors mounted on the ceramic baseboard provide tem-

perature compensation.

West German electronic camera design can be seen in the new Kodak Instamatic Reflex made abroad for the US-based company. The Instamatic is one of the few 35mm's on the market coupling a single-lens reflex system with an electronically controlled shutter. (Most "automatic" cameras rely on the mechanical transmission of meter deflection to set shutter speed and/or lens aperture. Electronic shutters provide immunity from low temperatures that can stiffen mechanical linkages.) Inserting a 126 film cartridge into the camera automatically programs an ASA parameter into the exposure circuit.

Here's how an exposure is made (see Fig. 3). The winding lever cocks



the Compur shutter and contact V1 makes, shorting through R1 any charge left in measuring capacitor C1 from the last exposure. Pressing the release button causes the camera's mirror to flip up, releasing S2a, S2b and S2c from their rest position. With the battery in the circuit, Q2 and Q3 conduct, and the electromagnet holds the shutter open. Simultaneously, the CdS photoresistor conducts, its resistance determined by the light it receives, and C1 is charged to the trigger point of Q1. (Contact V1 has been opened by the shutter mechanism.) The potentiometer in Q2's emitter circuit sets Q1's trigger point. When Q1 is turned on, Q2 and Q3 arc cut off and the shutter blades close without current to the electromagnet.

For flash cubes, the CdS cell has little influence. Timing is through R7 and C2, taking about 1/30 sec. Ca-

pacitor C2 is not in the circuit in electronic flash mode and consequently the shutter speed is about 1/300 sec. Kodak uses a galvanometer in the Instamatic to provide a preview of the shutter speed. If the needle is in the bracket area (see photo), this warns that shutter speed will be less than 1/30 sec.

Automatic strobes

Honeywell, one of the pioneers in electronic flash photography, introduced a strobe in 1965, the Auto-Strobonar 660, that can measure its reflected light output, and adjust this output in microseconds to the intensity needed for proper exposure of the subject. The company recently updated its entire line of strobes, offering a pint-size Auto-Strobonar, the 440, and larger, more powerful units. The automatic control circuit of the new units is basically the same as the 660's (Fig. 4), and the rest of the 660 is similar to conventional units: power supply, storage capacitor, trigger circuit and xenon flashtube.

A small, lightproof housing containing miniature filament lamp LPI and a CdS cell is located behind the reflector on a PC board (photo). The housing lens directs reflected strobe light from a 12° angle onto the photoresistor. The lamp biases the photocell to a critical breakdown point.

When the main flash tube is fired, reflected light from the subject instantly completes the breakdown, and Q3 and Q4 conduct to the threshold voltage level necessary to fire SCR2. The SCR fires and triggers "quench" tube FT2, a smaller, especially designed flashtube in parallel with and directly behind the main flash tube. The quench tube's resistance drops to almost zero ohms, and the energy stored in the main capacitor of the firing circuit is dissipated through the tube. (This energy may approach 2500 amperes for short flashes.)

It's a neat trick, relying on the time required for light to travel to and from the subject. If the distance is great (23' maximum), there is little or no quenching and flash duration is about 1/1000 sec. When the subject is nearby (3' minimum), reflected light from the subject rapidly quenches the main tube and flash duration is a weak 1/50,000 sec. There is an infinite range of flash duration times between these minimum and maximum values.

Under a patent agreement with Honeywell, another automatic strobe unit, the Mecablitz 185, is now on the market. Rollei is offering its own design. So far, only the Polaroid Land model cameras and the new Yashica EZ-matic Electronic 126 can operate fast enough to electronically regulate exposure time with strobe generated light.

Many more applications of solid-state technology to photography—from low-voltage, automatic-focus slide projectors to electronic-flash light meters—have become available at popular prices. By 1970's Photokina, the photographic electronics boom will be bigger than ever. **R-E**

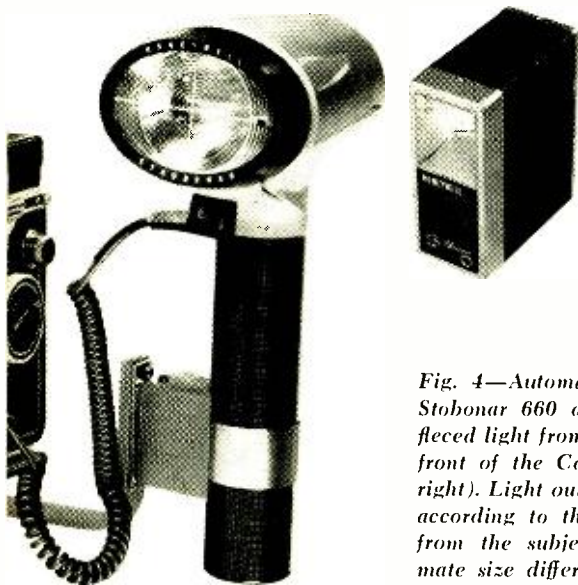
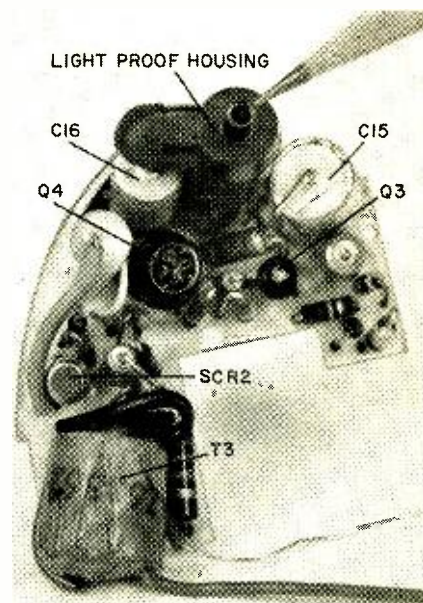
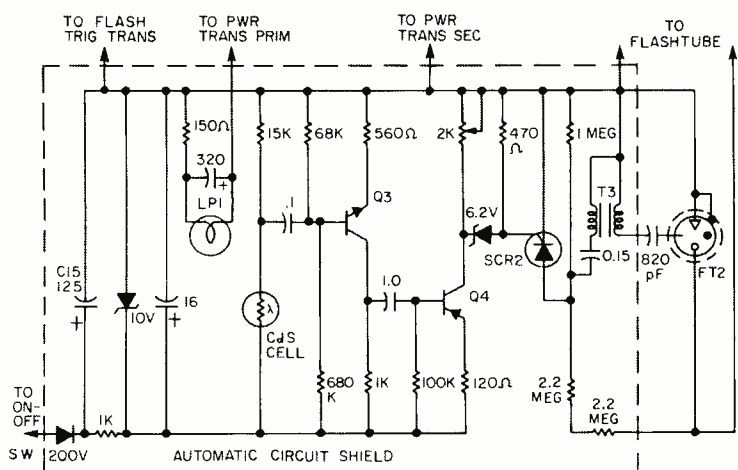


Fig. 4—Automatic-control circuit of the Honeywell Auto-Strobonar 660 adjusts light output of the strobe with reflected light from the subject. Bias lamp LPI is positioned in front of the CdS cell inside a light-proof housing (photo right). Light output of main flashtube is "quenched" by FT2 according to the time required for strobe light to reflect from the subject. Photos on the left show the approximate size difference between the 660 and the newer 440.



How they work

New 1969 Color-Killers

Set makers have simplified color-killer circuits. Here's a look at some new techniques

By R. L. GOODMAN

FIRST OFF, A GLANCE AT A G-E CB color chassis (Fig. 1) makes us wonder where the color-killer circuits are hidden. How can this be? You might say by eliminating other tubes and

color circuits. Now that we're confused, let's see how it can be accomplished. The schematic shows the 3.58-MHz color subcarrier oscillator (G-E calls it a subcarrier amplifier) is missing and the phase-detector section has also gone astray.

The grid of burst-gate tube

V702-a is fed a pulse during retrace and thus a color-burst reference signal is picked off. A 3.58-MHz series-resonant trap (C711-L704) is connected between V702-a grid and ground. The gate tube is functioning as a grounded-grid amplifier, with the plate circuit tuned by the primary of

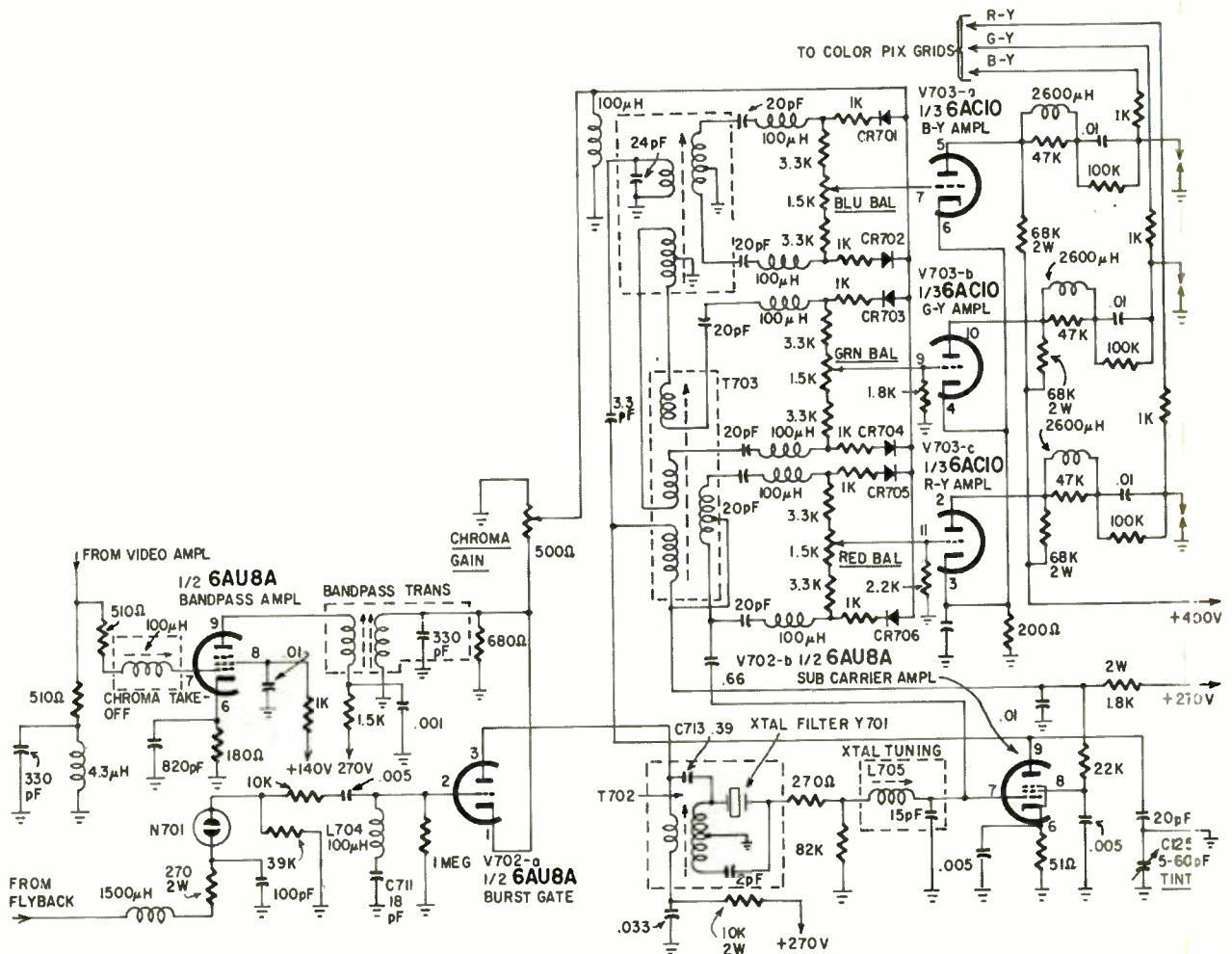


Fig. 1—This G-E CB color chassis does not need a color-killer circuit. When no color burst is present (b-w transmission), the high-Q resonant-crystal circuit on the grid of V702-b (3.58 MHz oscillator) is not excited to oscillation.

T702 for maximum output at 3.58-MHz. The burst signal, which is capacitively coupled to the bifilar-wound secondary of T702 by C713, excites (and/or rings) the high-Q resonant crystal circuit into a sine-wave oscillation that results in a 3.58-MHz wave train. Fig. 2 shows the proper wave-train pattern. This series-resonant circuit is then coupled to the grid of reference amplifier V702-b.

Tint control C125, the transformer and C725 tune the primary of transformer T703. The 3.58-MHz carrier in the primary of T703, shifted 90° from burst, is inductively coupled to both secondary windings of the transformer. These in turn supply subcarrier information to the synchronous detector diodes CR701 to CR706.

When b-w pictures are transmitted and no color burst is present, you have automatic color-killer action because the high-Q resonant-crystal circuit is not being excited. Thus, there is no color information for the synchronous diodes to detect. The days of having to zero-beat and ad-

just the 3.58-MHz color-reference oscillator circuits may be gone.

If intermittent color reception is noted, check to see if neon bulb N701 is firing properly. This bulb couples the horizontal keying pulse to the burst-gate stage. This has been a troublemaker.

About 30% fewer circuits are needed in this color chassis compared to previous models. You could say that 30% of potential troubles were eliminated before the set was sold. Color detection and sync take place with the minimum number of components and circuits, while color alignment is simplified.

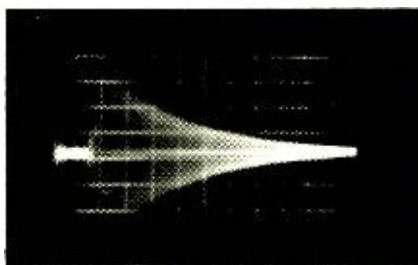


Fig. 2—V702-b (Fig. 1) requires a color signal to generate this 3.58-MHz pattern.

Color-killer circuits

Now for color-killer circuits. This set doesn't need them, so let's delve into some color sets that do.

Most color-killer circuits function on the premise that when a color burst is received the killer circuit turns on the color bandpass amplifier(s), but when no burst is present (when a b-w program is received) the color amplifier stage(s) are biased off. The killer circuit then has to receive a signal from the burst amplifier or, in some later model sets, the killer phase detector.

Let's look at the action for an early (RCA CTC5) color set (Fig. 3). A horizontal pulse, supplied from a winding of the sweep transformer, is fed to the grid of keyer V704-a. This pulse is delayed by the RC network in the grid circuit of the keyer tube to arrive at the grid simultaneously with the burst signal. Hence, the keyer tube conducts only during burst.

The burst signal is then fed to grid of burst amplifier V704-b through T703. The HUE control, R164, is combined with the capacitor in the pri-

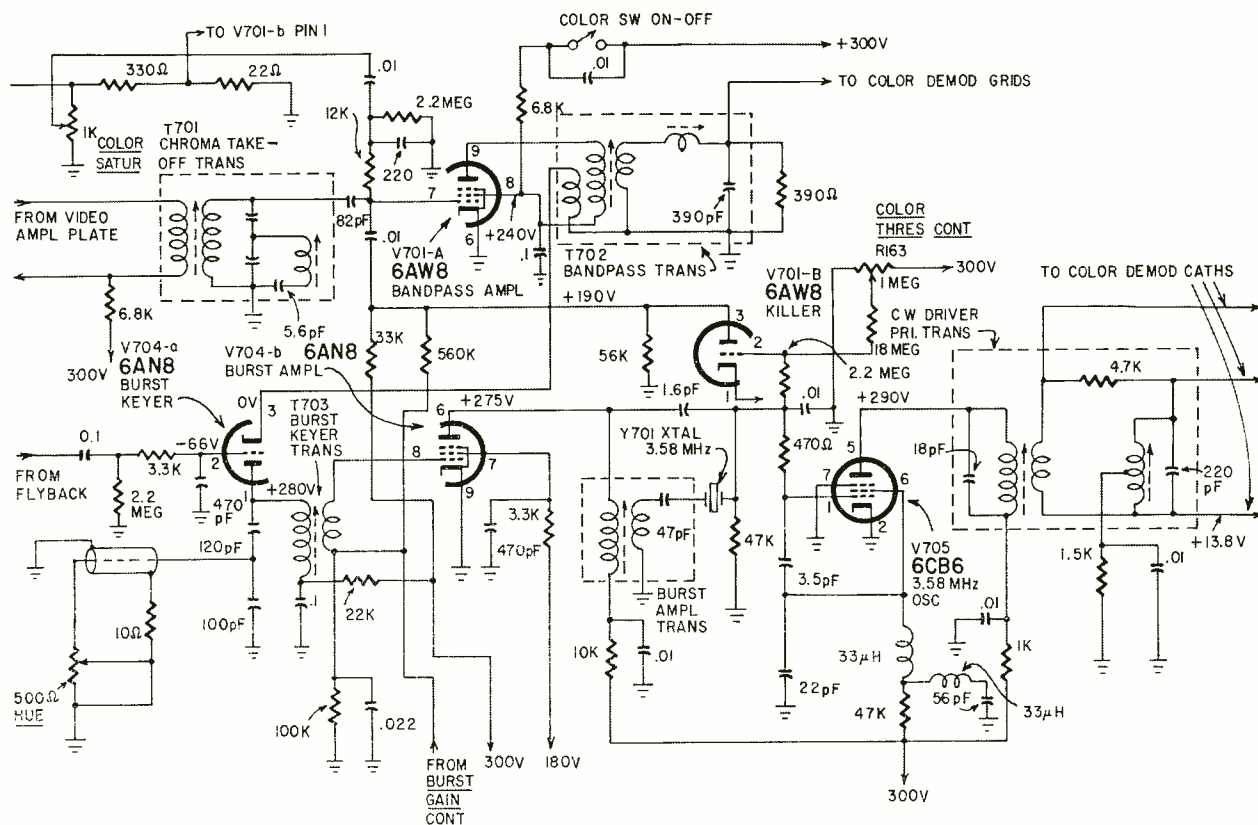


Fig. 3—Early RCA CTC5 chassis has traditional color-killer action. Burst keyer V704-a is gated on by flyback pulse only during burst. Amplified burst holds color killer V701-b at cutoff. Without burst, V701-b cuts off the color amplifiers.

mary of T703. Hue control adjustment effectively varies the load on the primary winding, which in turn changes the phase of the burst signal at the grid of the burst amplifier.

The amplified burst information is fed to the grid of the subcarrier oscillator through a filter network and crystal Y701. The oscillator is kept at the crystal frequency by the injection-lock principle.

The color-killer circuit incorporates the triode section of the 6AW8 bandpass amplifier V701-b. When burst is present in the received signal, an increased dc grid bias is present at the grid of the 3.58-MHz subcarrier oscillator. This grid bias is also used as the color-killer grid-bias source, and holds the killer tube cutoff.

A positive pulse obtained at the color-saturation control (from the horizontal-blanking amplifier) is applied to the cathode of the killer, and when the killer conducts the pulse is amplified and coupled to the grid of the bandpass amplifier. This causes the bandpass amplifier to cut off during picture time while zero bias is held during pulse time. When burst occurs during pulse time the color killer is biased off and the bandpass amplifier operates normally.

The killer threshold control, R163, is adjusted to vary the level at which the color-killer tube conducts. Thus must be set for various levels because the strength of the color signal or color-burst pulse being received will vary considerably. Should the color-killer circuit malfunction, it may kill the color amplifier during a color program and the set will receive only a b-w picture.

If the color amplifier operates when the set is receiving a b-w program, noise (colored snow) will develop due to this circuit operating at maximum gain. This is quite evident in a low-signal area. The color-killer circuit (if operating properly) will automatically bias the color amplifier stage into cutoff when only a b-w program is being received.

Killer circuit service tips

The oscilloscope is most helpful for tracking down trouble in the color-killer section. After it's certain the killer stage is at fault, voltage and resistance readings should isolate the defective part(s). Should the color chassis you are troubleshooting not have any color, don't waste too much

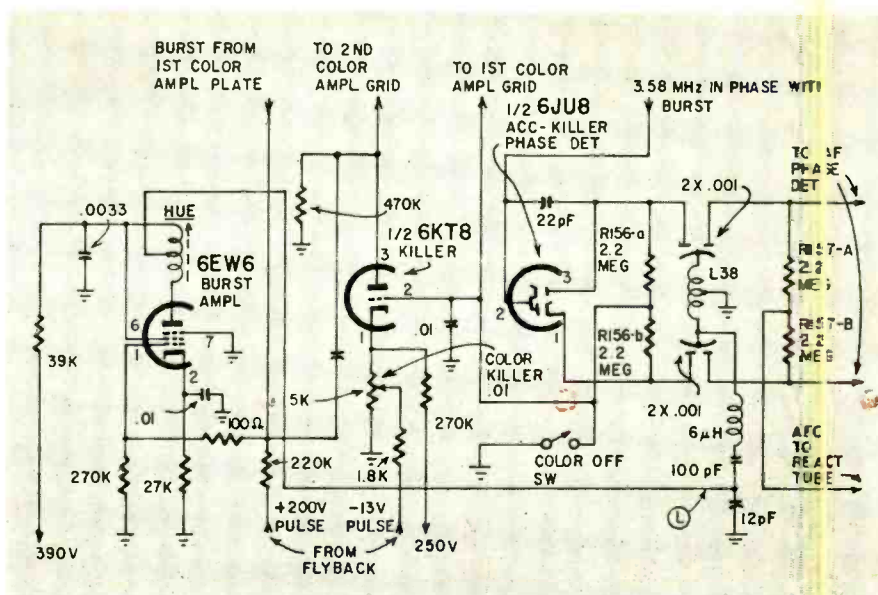


Fig. 4—A 6J8 dual-diode is used to develop acc voltage and cut off the color killer in this Zenith chassis. Without burst, R-156 junction voltage is very low.



Fig. 5—Amplified burst at t.p. L (above) may appear with a gradual sawtooth voltage, due to integrating effect of probe.

time checking the color bandpass amplifiers as the killer stage could very well be defective and cause loss of color. Always ground the killer and acc (automatic color control) circuits to eliminate stages. It's best to check the 3.58-MHz subcarrier oscillator, color-killer, acc section, chroma bandpass amplifiers and color demodulators in that order for rapid diagnosis. Off-value resistors, open or leaky and shorted capacitors are usual troublemakers that can cause color-killer problems—and of course, defective tubes and transistors.

Zenith's color chassis 25LC20 (Fig. 4) has the burst signal appearing across injection coil L38 180° out of phase between the opposite coil ends. The signal at pin 1 (cathode of the acc killer phase detector) will be in phase with the burst, and the signal at pin 3 (plate of the acc killer phase detector) will be 180° out of phase with burst. (When measuring the voltage waveform at test point L, only the amplified burst appears with, at times, a slight positive-going sawtooth voltage, probably caused by a slight integration of the keying pulse

at the burst amplifier with the particular scope and probe you may use. Fig. 5 shows the resulting shift.)

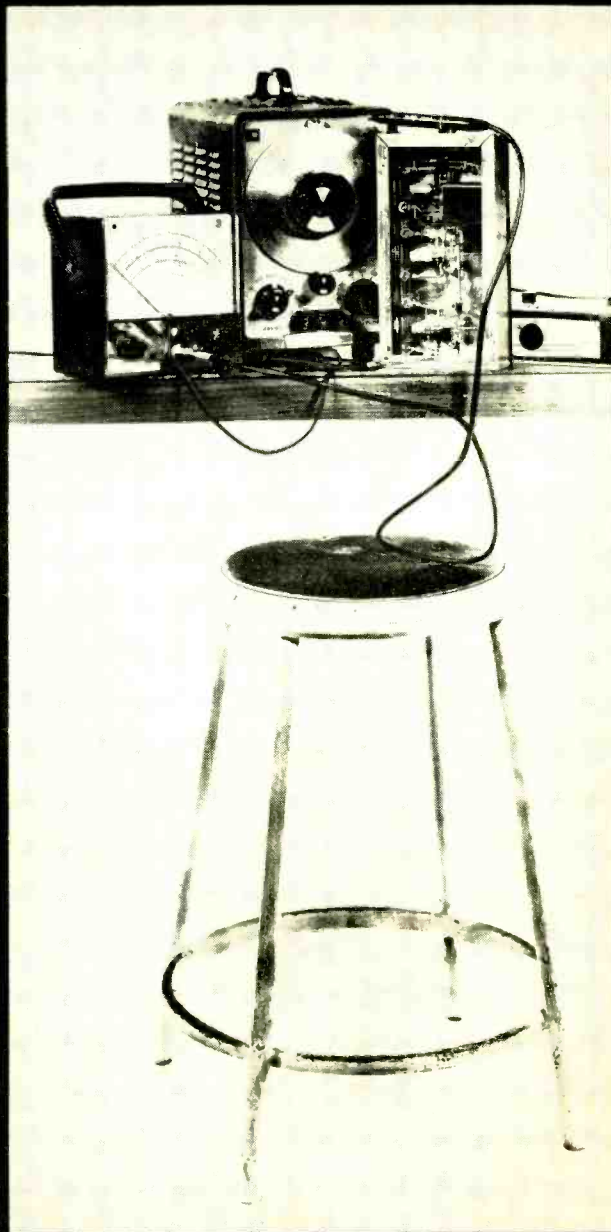
At the acc phase detector, the signals are compared in amplitude with the 3.58-MHz reference signal. The reference signal, which is in phase with burst, is fed to the opposite plates and cathodes of the phase detector at all times. Regardless of burst signal, one diode always conducts more than the other to develop a negative voltage at the junction of resistors R156-a and R156-b. (With zero burst-signal input, the voltage at this junction is almost zero.) The junction voltage may vary from as high as -12 or -14 volts down to almost zero, depending on signal input.

The large negative voltage present during burst is used for two purposes: first, as a acc voltage for the first color amplifier; second, as a cut-off voltage to disable the color-killer stage. A "color-off switch" is connected to the acc and color-killer grid voltage. As noted, in the absence of a burst signal, this voltage is essentially removed. In either case, the color-killer tube conducts heavily during the on-time established by the pulse at its plate during the burst interval, and develops approximately 50 volts, which is applied to the second color amplifier control grid to cut-off that tube and disable the color channel.

Some new Zenith color chassis have a diode to ground in the color-killer control circuit. Some of these diodes have been known to short out, causing the amplifiers to be wide open

**Someone
should develop
an easy way
to learn
electronics at
home**

**RCA Institutes
did!**



Here is a whole new approach to learning electronics at home! RCA Institutes, one of the nation's largest schools devoted to electronics, has developed a faster, easier way for you to gain the skills and the knowledge you need for the career of your choice. Here for the first time is a student-proved, scientifically designed way to learn. If you have had any doubts in the past about home training in electronics—if you have hesitated because you thought you might not be able to keep up—or that electronics was too complicated to learn—here is your answer! Read how RCA Institutes has revolutionized its home training ideas!

NEW CAREER PROGRAMS BEGIN WITH "AUTOTEXT" INSTRUCTION METHOD!

Start to learn the field of your choice immediately!
No previous training or experience in electronics needed!

With this new revolutionized method of home training you pick the career of your choice—and *RCA Institutes trains you for it.* RCA's Career Programs assure you that everything you learn will help you go directly to the field that you have chosen! No wasted time learning things you'll never use on the job! The Career Program you choose is especially designed to get you into that career in the fastest, easiest possible way!

And each Career Program starts with the amazing "AUTOTEXT" Programmed Instruction Method—the new, faster way to learn that's almost automatic! "AUTOTEXT" helps even those who have had trouble with conventional home training methods in the past. This is the "Space Age" way to learn everything you need to know with the least amount of time and effort.

CHOOSE A CAREER PROGRAM NOW

Your next stop may be the job of your choice. Each one of these RCA Institutes Career Programs is a complete unit. It contains the know-how you need to step into a profitable career. Here are the names of the programs and the kinds of jobs they train you for. Which one is for you?

Television Servicing. Prepares you for a career as a TV Technician/Serviceman; Master Antenna Systems Technician; TV Laboratory Technician; Educational TV Technician.

FCC License Preparation. For those who want to become TV Station Engineers, Communications Laboratory Technicians, or Field Engineers.

Automation Electronics. Gets you ready to be an Automation Electronics Technician; Manufacturer's Representative; Industrial Electronics Technician.

Automatic Controls. Prepares you to be an Automatic Controls Electronics Technician; Industrial Laboratory

Technician; Maintenance Technician; Field Engineer.

Digital Techniques. For a career as a Digital Techniques Electronics Technician; Industrial Electronics Technician; Industrial Laboratory Technician.

Telecommunications. For a job as TV Station Engineer, Mobile Communications Technician, Marine Radio Technician.

Industrial Electronics. For jobs as Industrial Electronics Technicians; Field Engineers; Maintenance Technicians; Industrial Laboratory Technicians.

Nuclear Instrumentation. For those who want careers as Nuclear Instrumentation Electronics Technicians; Industrial Laboratory Technicians; Industrial Electronics Technicians.

Solid State Electronics. Become a specialist in the Semiconductor Field.

Electronics Drafting. Junior Draftsman, Junior Technical Illustrator; Parts Inspector; Design Draftsman Trainee Chartist.

SEPARATE COURSES

In addition, in order to meet specific needs, RCA Institutes offers a wide variety of separate courses which may be taken independently of the Career Programs, on all subjects from Electronics Fundamentals to Computer Programming. Complete information will be sent with your other materials.

2 CONVENIENT PAYMENT PLANS

RCA Institutes offers a unique tuition plan that lets you progress at your own pace. You only pay for lessons as you order them. You don't sign a contract obligating you to continue the course. There's no large down-payment to lose if you decide not to continue.

However, if you desire, RCA Institutes also offers a convenient monthly payment plan.

VALUABLE EQUIPMENT

You receive valuable equipment to

keep and use on the job—and you never have to take apart one piece to build another.

New—Programmed Electronics Breadboard. You now will receive a scientifically programmed electronic breadboard with your study material. This breadboard provides limitless experimentation with basic electrical and electronic circuits involving vacuum tubes and transistors and includes the construction of a working signal generator and superheterodyne AM Receiver.

Multimeter and Oscilloscope Kits At No Additional Cost. You will receive with most RCA Institutes Career Programs the instruments and kit material you need to build a Multimeter and Oscilloscope. The inclusion of both these kits is an RCA extra.

CLASSROOM TRAINING ALSO AVAILABLE

RCA Institutes maintains one of the largest schools of its kind in New York City where classroom and laboratory training is available in day or evening sessions. You may be admitted without any previous technical training; preparatory courses are available if you haven't completed high school. Coeducational classes start four times a year.

JOB PLACEMENT SERVICE, TOO!

Companies like IBM, Bell Telephone Labs, GE, RCA, Xerox, Honeywell, Grumman, Westinghouse, and major Radio and TV Networks have regularly employed graduates through RCA Institutes' own placement service.

SEND ATTACHED POSTAGE PAID CARD FOR COMPLETE INFORMATION, NO OBLIGATION.

All RCA Institutes courses and programs are approved for veterans under the new G.I. Bill.

Accredited Member
National Home Study Council

IF REPLY CARD IS DETACHED—SEND THIS COUPON TODAY

RCA INSTITUTES, Inc., Dept. REQ-29
320 West 31st Street, N.Y., N.Y. 10001

Please rush me FREE illustrated catalog. I understand that I am under no obligation.

Name _____ Age _____
(please print)

Address _____

City _____

State _____ Zip _____

RCA

BRAINS OF AUTOMATION



Fig. 1—High-speed Friden typewriter uses punched tape.

Learn how logic circuits operate today's industrial machines.

By JOHN W. DIETRICH

ARE YOU A FIRST-RATE ELECTRONIC technician, up to date on the newest equipment? Good! Then what is a *numerical control system*? If you know, you are probably one of a small elite group who also know *logic circuitry*. There are so few technicians in this field that jobs are going begging. And yet logic-circuit principles are far less complicated than TV! Working on

such circuits is challenging. Simple logic circuits are grouped to form "thought processes" and make electronic decisions. More on that later.

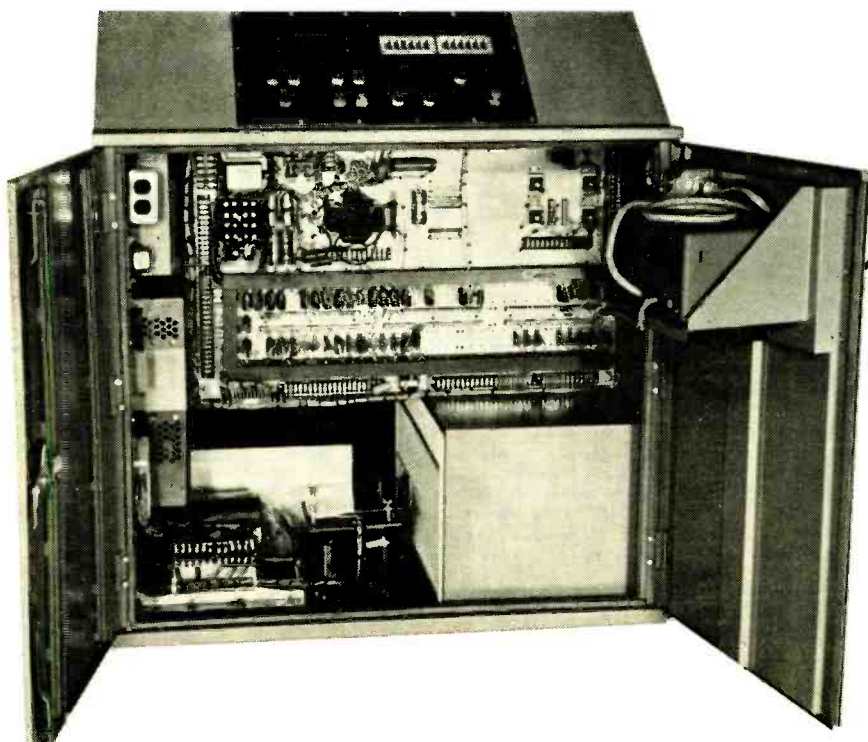
Ten years ago numerical control was a laboratory experiment. By 1960 it had made some progress in actual machine applications. Today it is spreading rapidly through industry in hundreds of uses and promises to enter many new fields.

A numerical control system is a radically new method of controlling

machinery. It provides a "brain" for automated machinery so that each machine can do an unlimited number of *different* jobs. Numerical control combines the latest solid-state electronics with the idea of the old player-piano roll.

Tape-controlled typing

Machinery commands are typed on a special kind of electric typewriter that produces a typed page and also a punched tape copy. (Fig. 1 above is



▲ Fig. 3—Plug-in modules used in the Mark Century control system (Fig. 2).

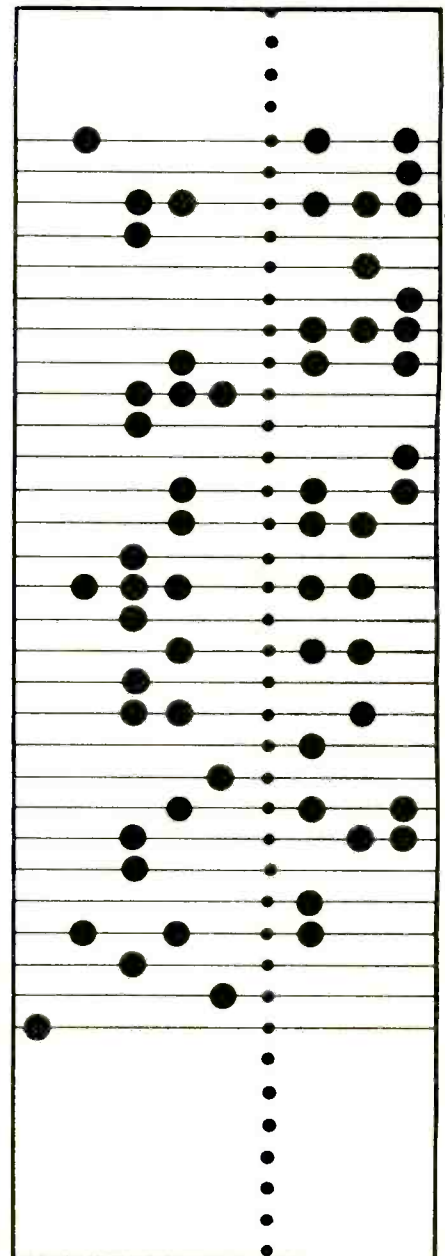
◀ Fig. 2—Interior of the G-E Mark Century control system. Module boards are used.

**E.I.A. STANDARD CODING
FOR
1 INCH WIDE, EIGHT TRACK TAPE**

TAPE PUNCH	8	7	6	5	4	•	3	2	1
	EL	X	O	CH	8		4	2	1
0			•				•		
1							•		•
2							•		•
3				•			•		•
4							•	•	•
5				•			•	•	•
6				•			•	•	•
7							•	•	•
8					•		•		•
9				•	•		•		•
a	•		•				•		•
b	•	•	•				•	•	•
c	•	•	•	•			•	•	•
d	•	•	•				•	•	•
e	•	•	•	•			•	•	•
f	•	•	•	•			•	•	•
g	•	•	•				•	•	•
h	•	•	•		•		•		•
i	•	•	•	•			•		•
j	•	•	•				•		•
k	•	•	•				•	•	•
l	•	•	•				•	•	•
m	•	•	•				•	•	•
n	•	•	•				•	•	•
o	•	•	•				•	•	•
p	•	•	•		•		•	•	•
q	•	•	•	•			•		•
r	•	•	•		•		•		•
s			•	•			•	•	•
t			•	•			•	•	•
u			•	•			•	•	•
v			•	•			•	•	•
w			•	•			•	•	•
x			•	•			•	•	•
y			•	•	•		•		•
z			•	•	•		•		•
• (PERIOD)	•		•	•	•		•	•	•
, (COMMA)	•		•	•	•		•	•	•
/			•	•	•		•		•
+ (PLUS)	•		•	•	•		•		•
- (MINUS)	•		•	•	•		•		•
SPACE				•			•		
DELETE	•	•	•	•	•		•	•	•
CARR. RET. OR END OF BLOCK	•						•		
BACK SPACE			•	•	•		•	•	•
TAB			•	•	•		•	•	•
END OF RECORD				•			•	•	•
LEADER							•		
BLANK TYPE							•		
UPPER CASE	•	•	•	•			•		•
LOWER CASE	•	•	•	•			•		•

one type of machine—the Friden Flexowriter.) If the tape is run through the machine again, a replica of the page is typed at high speed. When this tape is "read" in a tape reader, electrical signals are produced. These signals can be used in a numerical control system to operate machinery. The machine responds as though to the touch of a skilled machinist.

Fig. 2 shows a General Electric Mark Century numerical control system. A photoelectric tape reader is in the right-hand door. All circuits are solid-state, and air conditioning is built-in. The back doors of the cabinet



TYPICAL TAPE MESSAGE

Fig. 4-a (left)—Coding system for numerals, alphabet and 15 additional characters. b (above)—Sample tape message.

give access to plug-in module boards as shown in Fig. 3. The plug-in feature allows the service technician quick and easy access to all circuits and permits replacement of whole sections if trouble occurs. The removed boards can then be bench-tested at a convenient time, without interrupting machine operations.

Such a system is capable of controlling every operation of highly complex machines. One machine can turn out four identical, precision parts at one time. A machinist need only supervise the operation of one or more machines.

Fig. 4-a shows how a tape is punched for numerals 0 through 9, all letters of the alphabet, and for 15 other characters. No two characters are punched alike. Fig. 4-b shows a typical tape message prepared for machine control. Industry standards for tape perforations are published by Electronic Industries Association (EIA).*

Note in Fig. 4-a that there are 8 channels across the width of the tape. The binary (8-4-2-1) code is used for all numerals. A "5" is punched with 4 and 1. A "7" is punched with 4, 2 and 1.

There is a "CH" channel for *parity check* holes. A hole is punched in that channel only when needed to make an *odd* number of holes. Any character having an even number of holes is read as a *tape error*. This is an accuracy check on both tape and reader.

Channels 6, 7 and 8 are "0" (zero), "X," and "EL" respectively. Note that "X" is used to code 18 alphabet but none of the numerical characters. The "EL" is used only for an *end of block* code and causes a *carriage return* on a Friden typewriter. A *block* is one *set* of machine commands, and the "EL" code ends every block.

There is another set of holes in the tape between channels 3 and 4. They are called *sprocket holes*. Note there is one sprocket hole for each character. They serve as a timing signal source. The character holes measure 0.072" in diameter, while the sprocket holes are 0.046" and centered with character holes.

Note the tape coding perforations carefully. The letter "a" has character holes in the 1, 0 and X channels. Note also there are *no* holes in the 2, 4, 8 and CH channels. The absence of holes is as important as their presence. This is a "NOT" condition for those channels. In Boolean algebra a "NOT 2" is written "2". A line over

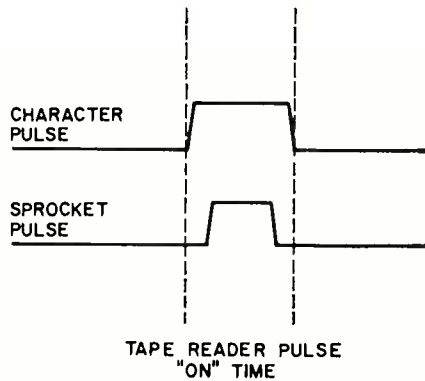


Fig. 5—For ideal character-sprocket pulse relationship, sprocket pulses are about two-thirds duration of the character pulses, and centered timewise.

a number means "NOT".

Look at the coding of letter "m" in Fig. 4-a. Here we read 1, 2, 4, 8, CH, 0 and X. That is NOT 1, NOT 2, a 4, NOT 8, a CH, NOT zero and an X. Thus there are seven conditions on tape to define "m"—or any other character. Notice also that CH was necessary in describing "m" so that there would be an *odd* number of holes. If any one hole gets blocked, a parity error is read.

The tape coding of Fig. 4-a may also be used for magnetic tape, but such tape is not common. Perforated tape readers are of two types. One is mechanical and has a set of finger contacts for each tape channel. The tape holds the contacts open except when a hole is between the tips of the contact fingers. When the contacts close, current flows in an "on" condition. In logic vernacular, the "on" is called "true". Open contacts produce an "off" or "not true." The ideal elec-

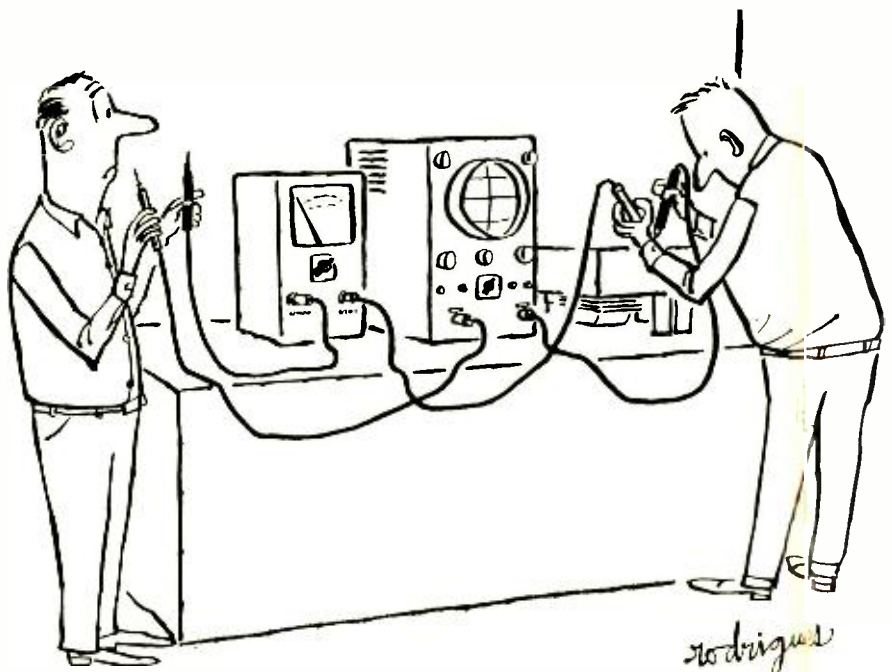
trical waveforms are a series of square waves for each channel punched. Sprocket pulses are about two-thirds the duration of character pulses, and center in the character pulse time. Fig. 5 shows this ideal time relationship between the pulses.

Another popular tape reader is photoelectric. This type has nine photodiodes and a focused light source. Light through a tape hole causes a photodiode to turn "on". Electrical output of this type of reader is in square-wave form similar to mechanical readers, but usually of lower amplitude. Reading speed is greater than with mechanical types, and is usually about 100 to 400 characters per second. With 10 characters to the inch, that is 10 to 40 inches per second. Tape must be opaque for use with photoelectric readers. Light leaks can cause reading errors. This may happen when ordinary paper tape gets oil-spotted and becomes translucent at those spots. Ideal tape is aluminum-backed, laminated mylar. Tape must be 1" wide and 0.004" thick to conform with EIA specifications.

The next article of this series will show how the "true" and "not true" signals of the tape reader apply to logic circuits. **R-E**

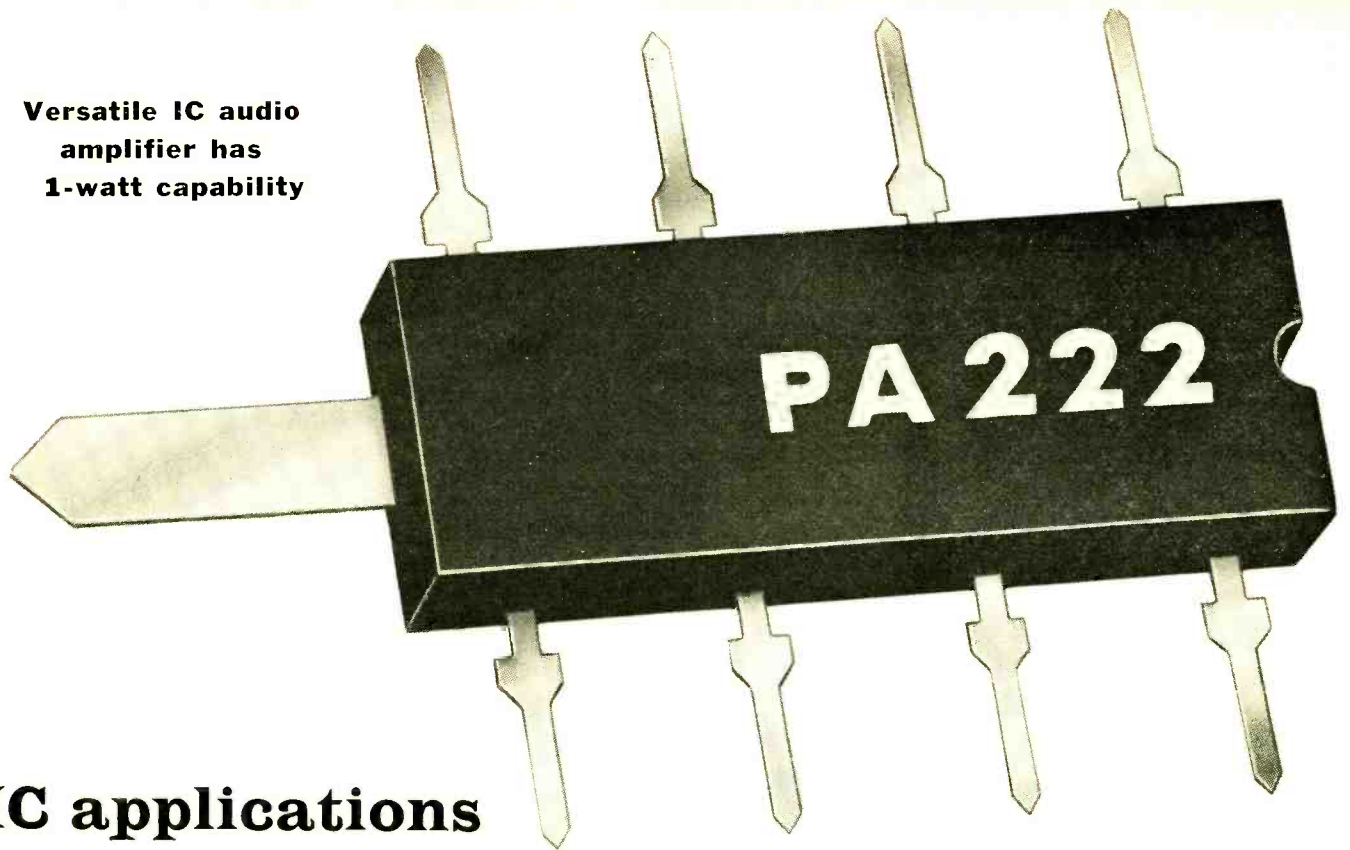
COMING NEXT MONTH

16 Speaker Enclosures You Can Build. In March we'll show you plans for assembling a wide range of hi-fi speaker systems. There's one to fit your budget . . . several systems can be expanded with woofers and tweeters when you're ready for "fuller" sound.



*11 West 42 St., New York, N. Y. 10036. See EIA Standards RS-244 (\$0.50) and RS-274 (\$1.30).

Versatile IC audio amplifier has 1-watt capability



IC applications

Use The PA-222 In Audio Circuits

By JAMES ASHE

AVAILABLE NOW AT A LOWER PRICE than many transistors, General Electric's PA222 amplifier will find wide use in the amateur and experimenter fields. The PA222 is a complete integrated-circuit audio amplifier capable of a continuous 1-watt power output. It is supplied in a standard flatpack, with enough terminals brought out to avoid limited applicability.

Apparently designed for a specific entertainment product, the PA222 is available for new use and replacement applications from all 83 of G-E's major outlets. The price is down from the former \$6 to \$3.70 each in unit purchases.

General description

The PA222 amplifier is supplied in an industry standard 14-lead flatpack for automated circuit board mounting. The tongue extending from the end is normally soldered to a heat sink, which need not be very large. G-E recommends 1" square of copper PC board surface. Six of the usual 14 leads were omitted, because the terminals were not needed. The resulting 0.2" lead spacing avoids delicate as-

sembly problems when mounting the unit.

But the original 14-lead numbering is retained and appears in G-E's

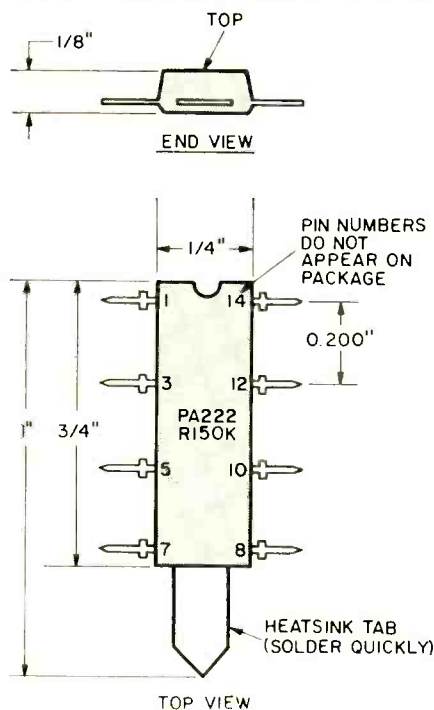


Fig. 1—Audio amplifier IC comes in standard 14-lead flatpack, but six unnecessary leads are omitted. Large heatsink tab needs only 1 square inch of PC surface.

product literature (see Fig. 1). It is used in this description. The leads are mounted toward the bottom of the flatpack, and its top is marked by a shallow circular depression. The leads are numbered 1, 3, 5 and 7 on one side and 8, 10, 12 and 14 on the other. As seen from the top, the numbers start at the end opposite the tongue and proceed in a counter-clockwise direction.

Inside the package, a 0.050" square silicon chip is mounted on the inside end of the heat-sink tongue. The G-E specs say nothing about electrical connections to the tab, so it would probably be well to leave the tab floating electrically. The chip carries the six transistors, six resistors and diode shown in Fig. 2.

This circuit is very different from the simple audio circuits usually assembled from discrete components. One significant difference is its extended frequency response arising from the tiny transistor structures on the chip. Outside leads should not be long, but only reasonable care is required. Another difference is the use of three separate feedback loops. This complicates analysis, so there is no simple complete explanation of

how the entire circuit functions.

If we ignore the feedback loops (which will be discussed later) we get this picture: Q1, the input transistor, is a common-emitter amplifier. For a positive-going half-cycle, Q1's amplified signal goes to Q2, which feeds the Darlington pair Q4 and Q5, acting as emitter followers to drive the output.

During the negative-going half-cycle, diode D1 goes into conduction, and Q2 drives Q3 and Q6, which are now acting as another Darlington pair. With their collectors connected to the low load resistance they act much like another emitter follower.

Without feedback, the amplifier shows considerable distortion, with crossover distortion being most noticeable in a scope display. The two ac feedback loops correct the distortion, and adjust circuit gain to a previously selected value. Because of the amplifier's wide-band frequency response, bandpass tailoring by adding reactive elements to the feedback loop leads to persistent oscillations.

One circuit component must be selected for the specific IC amplifier used. This is RS, which adjusts the quiescent current and output voltage. The required value appears on the top of earlier IC's in a slightly depressed circular area. It may be on the bottom of more recent samples, as it does not appear in G-E's photo (opposite page). The legend will read PA222/R150K to indicate a 150,000-ohm resistor at RS. Recent specs indicate only three values: 68,000, 100,000 or 150,000 ohms for this resistor.

Using the PA222

Four simple precautions will guarantee long life for the PA222, even in breadboard applications:

1. Do not short the output.
2. Avoid overdriving.
3. Use a heat sink.

4. Place a No. 53 or two No. 47 lamps in series, in the positive supply lead for bias checking and small-signal tests.

The lamps limit current to 120–150 mA, and if they glow brightly something is seriously wrong. They are shorted or removed for normal operation.

General Electric's basic test circuit is shown in Fig. 3. All PA222's will produce rated gain and power output in this circuit, which closely

resembles G-E's circuit for its portable phono application. This circuit is not as complicated as it may seem and parts values are not very critical, although electrolytic voltage ratings should be respected. Many of its components can be eliminated or reduced in size at no cost in performance for other than hi-fi applications.

The IC's high-frequency response is controlled by adding "suppressor" capacitors and resistors. Capacitor C1 and R1 provide increased resistive load above 150 kHz, and C2 and C3 provide an additional high-

frequency rolloff. These are marked in the schematic with asterisks.

Thermal runaway is eliminated by the dc feedback loop from pin 14 through R2 to pin 3. Increasing current through Q6 (Fig. 3) raises its base voltage, and this rise is applied to the base of Q1. A return turnoff signal is applied to the Q6 base terminal. G-E's tests indicate there is no combination of signal, temperature and roughly correct external circuitry that will allow the IC to go into thermal runaway.

There is some difference in am-

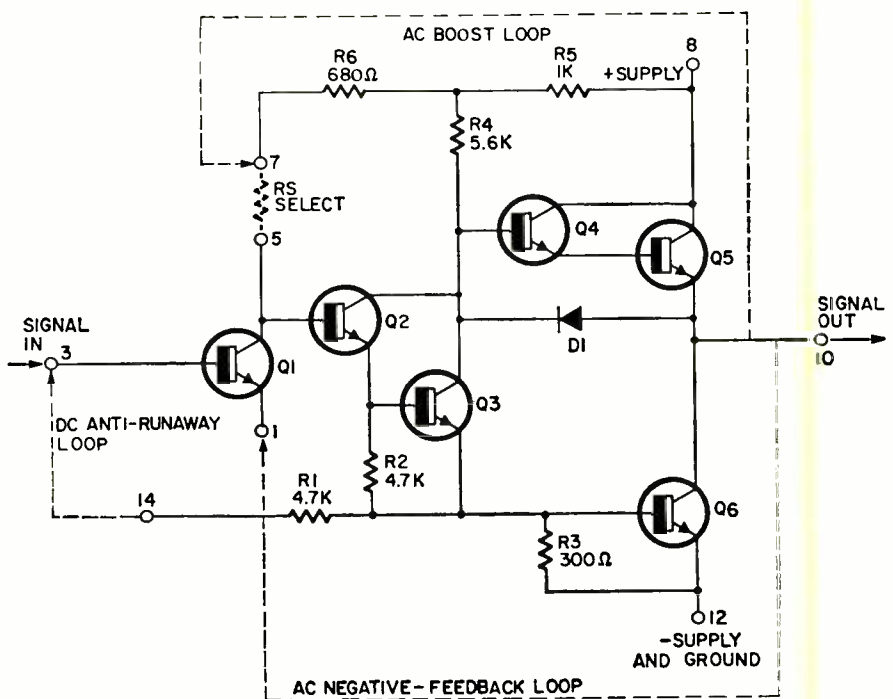


Fig. 2—Six transistors and resistors, and one diode form the PA222 circuit. Three feedback loops for low distortion are completed through external connections.

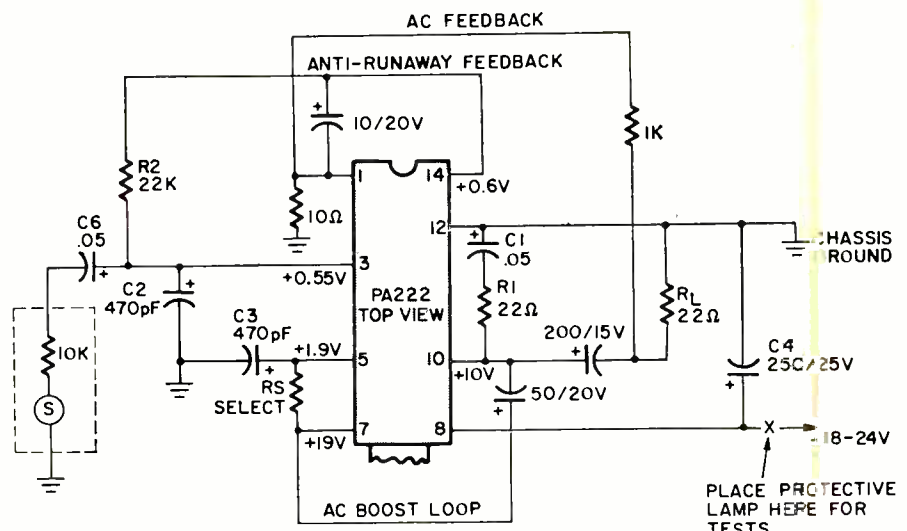


Fig. 3—Test circuit for the IC. A dc feedback loop (pin 14 through R2 to pin 3) prevents thermal runaway. Signal source resistance is about 10,000 ohms.

plifier performance for positive-going and negative-going signals. The drive-boost feedback from the output to pin 7 improves linearity by correcting the shape of positive-going signals.

Finally, part of the output signal is returned from the output terminal to the emitter of Q1. This negative feedback loop adjusts the overall gain of the circuit and reduces signal distortion to the vanishing point. Without negative feedback, amplifier gain is extremely high and there is serious distortion.

Two other details remain. The dotted box at the input (Fig. 3) represents the kind of signal source G-E has in mind for this circuit. A source resistance of 10,000 ohms is considered about right, and it could well be less. A large capacitor (C4) is placed across the supply leads. Although it seems to be a filter capacitor, it plays an equally important role as a low-impedance route for heavy output currents that must be returned to pin 8 or 12. If grounded as shown in Fig. 4, the PA222 should not suffer from

the noise and feedback problems often associated with high-gain class-B audio power amplifiers.

Voltage gain is near 100, and response is 55 Hz to 15 kHz. Typical distortion at 50 mW output is 1% into 22 ohms, rising to 10% at 1 watt from an 18-volt power supply.

G-E's latest data sheet carries a simpler application schematic (Fig. 4). The drive-boost loop and its capacitor are omitted, the high-frequency suppressors are left out, and the number of components is minimized. Its voltage gain is about 100, with bandpass from 50 Hz to 100 kHz. G-E says typical distortion is up from 2% to 3%, and sine waves retain a good appearance.

Some breadboarding produced the compromise circuit of Fig. 5. It uses more components than G-E's simplest circuit, but the capacitors are smaller and the lower cutoff frequency is around 300 Hz. Lower response is not desirable for many communications applications, but can be extended by choosing larger val-

ues for C1. Fixed amplifier gain is adjusted by using different values for R1, with distortion increasing for larger values of R1. The drive-boost loop contains a small capacitor, and improves linearity at moderate signal amplitudes. An overall gain control is included, but the only attempt at adjusting the high-frequency rolloff is C2. This capacitor can be increased to 0.002 μ f at some sacrifice in shape of high-frequency signals. Maximum gain is roughly equal to the ratio R/R2.

Suggested applications

Designed as a loudspeaker driver, the PA222 will do a fine job with standard hi-fi headphones. The phones should be wired in series to provide the relatively high-resistance load required by the amplifier. Used in a circuit resembling Fig. 3, the PA222 will do very well in wide-band, low-distortion hi-fi service.

The PA222's adjustable high gain is well adapted to service as a complete radio receiver audio section for phones or a small speaker. It could also be used as a small modulator for a transistor transmitter or as the driver for a larger power amplifier. Output should be connected to the modulator or interstage transformer primary through a large capacitor, to avoid a dc short from output to ground.

Microphones generate very small signals, and sometimes the audio cannot compete with noise picked up by a cable run of a few tens or hundreds of feet. The PA222 is appropriate for low-gain, low-output resistance, line-driver application. Another similar application would be intercom service.

Some laboratory applications also suggest themselves. The high-gain, wide-band PA222 should do very well as the gain section of a feedback ac vtm. An additional emitter follower or FET would improve input resistance. Another laboratory application might be as the basis of a signal tracer. The PA222 seems to have a very bright future indeed!

R-E

[Readers may wish to consider General Electric's PA234 for applications similar to those described. Recently introduced, the 234 offers still lower cost and improved performance. —Editor]

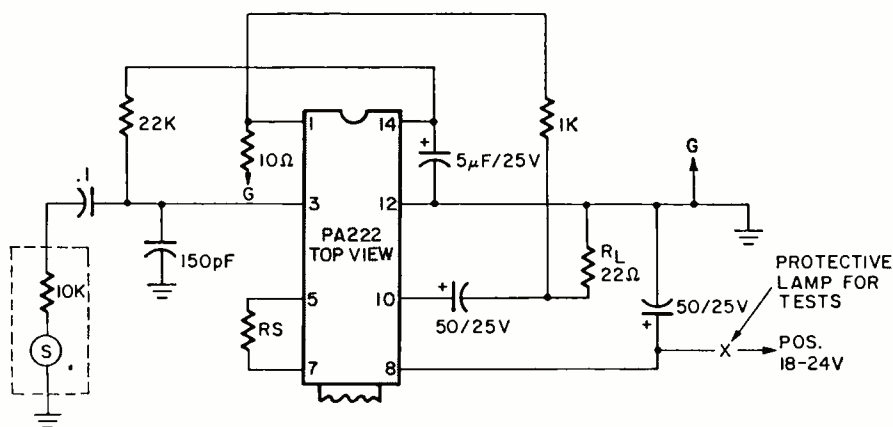


Fig. 4—Latest PA222 application schematic reduces number of external parts by omitting drive boost loop and high-frequency suppressor capacitors (see Fig. 3).

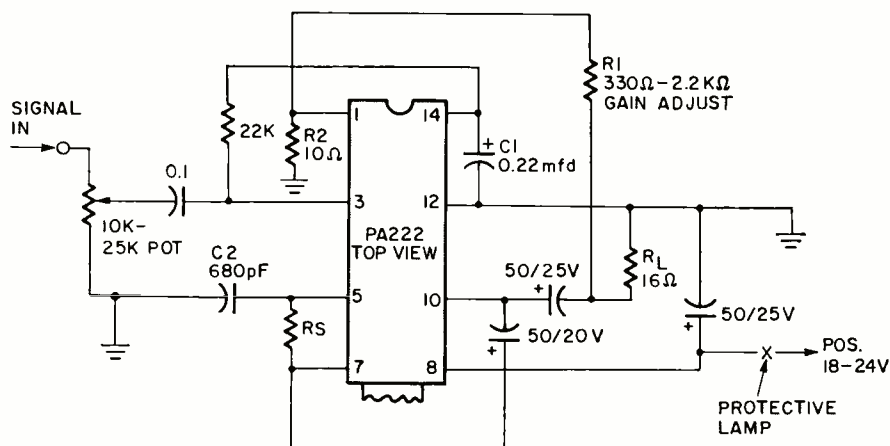


Fig. 5—Author's variation of circuit above raises low-frequency cutoff from 50 Hz to about 300 Hz. Values of R1 vary the gain; drive-loop capacitor improves linearity.

Check low-value capacitors

With The pF Meter-Mate

Reads up to 100 picofarads on your multimeter. Measure wire, cable, switch, tube capacitance and more . . .

By WILLIAM G. MILLER

THE PF METER MATE IS A COMPACT, direct-reading capacitance meter that will measure from 0 to 100 picofarads (pF) in two ranges. It is designed to work with any existing multimeter that has an input resistance of 20,000 ohms per volt or better.

All parts are widely available, and total cost is less than \$7 at list prices.

Many capacitance meters are commercially available but very few can measure values under 100 pF, and only laboratory types will accurately measure under 10 pF. If you're interested in checking those small TV tuner and rf caps or even measuring the capacitance across the contacts



PARTS LIST

All resistors 1/2 watt, 10% or better

R1—75 ohms
R2, R5—1000 ohms
R3, R4—6800 ohms
R6—68,000 ohms
R7—3,300 ohms
R8—1.5 megohms
R9—2000 ohms
R10—10,000-ohm potentiometer
R11—33,000-ohms
R12—3000 ohms

Capacitors

C1—50 μ F, 15V or better

C2, C3—.001 μ F, 15V or better
C4—10 pF, 5% (see text)
C5—100 pF, 5% (see text)
C6, C7—1 μ F, 15V or better

Semiconductors

D1—Zener diode, 15V, 1/2 Watt
D2, D3—1N34 germanium diode or equivalent
Q1, Q2—2N414 germanium transistor
Q3—2N1302 germanium transistor, i.f. npn type, or equivalent

Other parts

J1—J4—5-Way binding posts, Olson HW-61 or equivalent

S1—Miniature momentary pushbutton spst or spdt switch.

S2—Subminiature momentary spst n.o. switch, Laf.99H6159, B.A.17C333 or equiv.

SW3—Dpdt toggle switch

B1, B2—9-volt transistor battery (Eveready 216 or equivalent)

MISC—Steel wrinkle-finish box, 4"x4"x1" (Allied 42E7856 or equivalent), 6" strip of linoleum tape or similar plastic, 6-32 screws with nuts and lock washers, Mounting brackets.

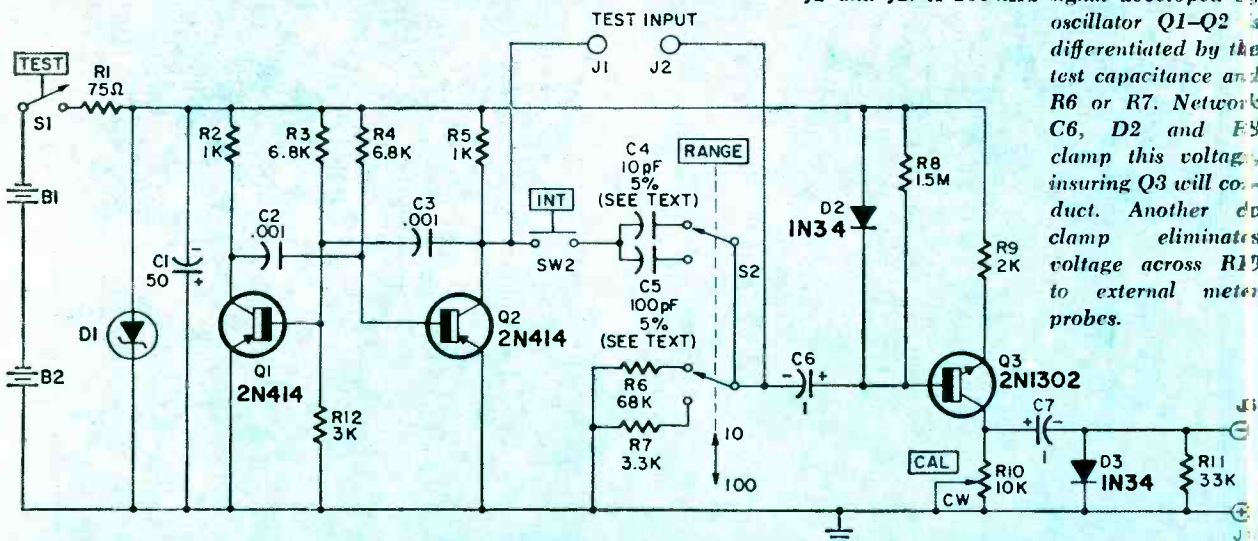


Fig. 1—Test capacitance is clipped between J1 and J2. A 100-kHz signal developed by oscillator Q1-Q2 is differentiated by the test capacitance and R6 or R7. Network C6, D2 and R8 clamp this voltage, insuring Q3 will conduct. Another dc clamp eliminates voltage across R10 to external meter probes.

of an open switch, this instrument will do the trick.

How it works

In Fig. 1, transistors Q1 and Q2 form a 100-kHz square-wave oscillator. The output is connected to J1, one of the input binding posts for the capacitor under test. The 100-kHz signal is coupled through the test capacitor and developed across either R6 or R7, depending on the position of range switch S3. These resistors, together with the test capacitor, form a differentiator network, and the average differentiated voltage developed across them will vary directly with the value of the test capacitance.

The resistor voltage is fed to the C6, D2 and R8 network, which forms a positive dc clamp. The positive clamp guarantees that all pulses felt at the base of Q3 will be of such polarity as to cause Q3 to conduct.

Transistor Q3 amplifies the signal and the output is coupled to still another dc clamp consisting of C7, D3 and R10. External voltmeter connections are made to J3 and J4.

A dc clamp is necessary at the output to eliminate "offset," which is the dc voltage present across R10 when no signal is on the base of Q3.

Zener diode D1 is included for voltage-limiting purposes and keeps the instrument operating linearly.

PC pattern transfer

The following system for making the printed circuit board can be applied to any project where the full-scale pattern is printed on paper.

First, saw or shear a piece of copper-clad board to the size shown in Fig. 2. Cut Fig. 2 from the page and tape it in place over the copper side of the circuit board. Place a centerpunch or sharp nail on each indicated drill hole and tap lightly with a hammer. This will complete the important positioning the holes.

Remove the drawing and use a No. 55 or similar size drill to make holes where centerpunch marks appear.

The circuit pattern or "lands" can now be sketched on free-hand, using a resist ballpoint pen. As long as it's electrically correct, don't worry about irregularly shaped lines or circles that blossom.

Resist ballpoint pens are listed by all major mail-order houses and are also available at many parts stores. Their price is less than \$1.50 and they are good for over 50 similar projects. If one of these pens is not available, fingernail polish or other forms of resist can be used.

The next step is to let the resist dry about 30 minutes and place the

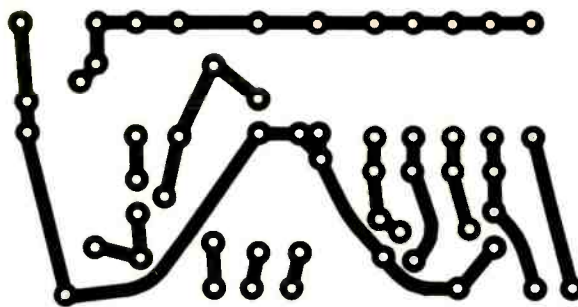


Fig. 2—Pattern used on author's PC board. Drawing is actual size.

board (copper side down) in a pan or dish of commercial etchant (ferrous chloride). After about 20 minutes or more when the copper has been etched away, the board can be removed and rinsed with water. The resist is now removed with a solvent or nail polish remover, and the completed board is again washed in water. Use a needle or drill point with the solvent to clean the drill holes.

If you'd rather not use a printed circuit, you can cut a vector board to the dimensions shown in Fig. 2.

The board should be a Vector 85 G24EP or equivalent, since this type has a staggered 0.1" grid and the holes correspond exactly to the holes

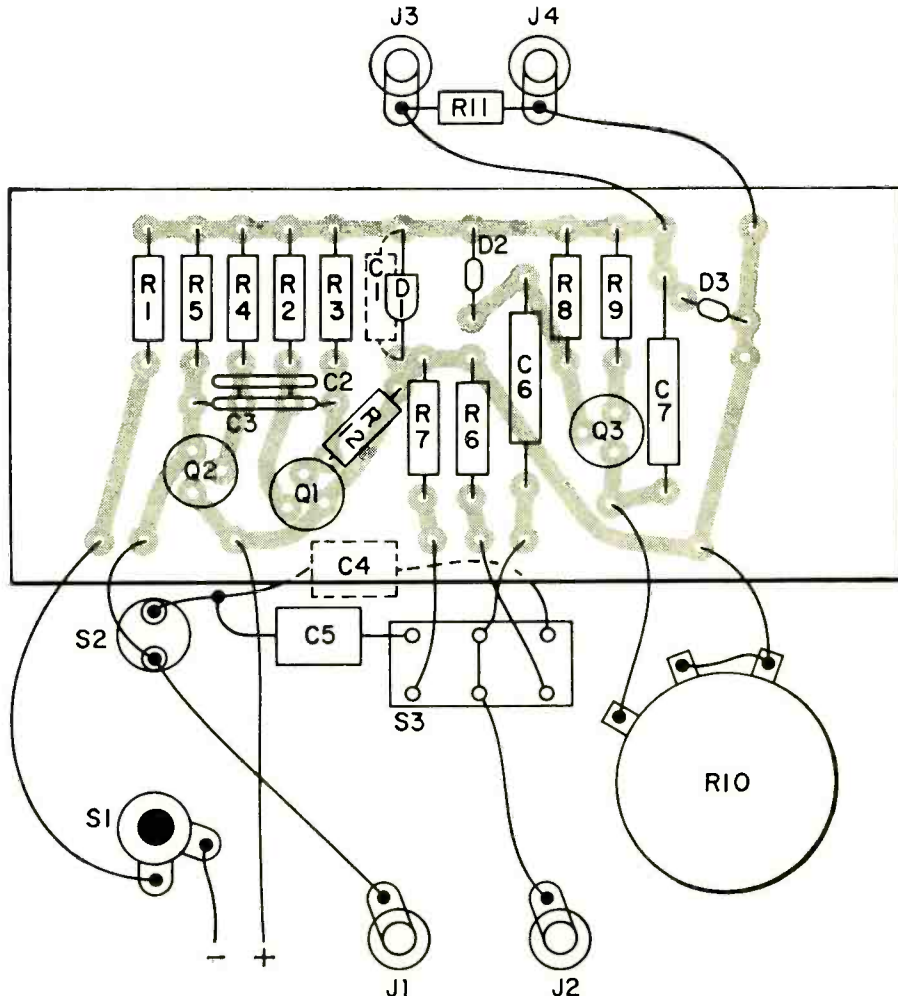
in Fig. 2 to ease wiring.

Insert a "flea" clip in every hole that represents a drill hole and solder the components to the clips. The "lands" are simulated on the reverse side of the board by joining the proper clips with hookup wire.

Construction

Capacitor C1 is the only component mounted on the copper side of the board, in order to allow for a wide variety of physical sizes. Capacitors C4 and C5 are used to calibrate the instrument and because of physical size are omitted from the circuit board and wired switch-to-switch (Fig. 3). Resistor R11 is soldered directly

Fig. 3—Component placement for the Meter Mate. C1 is on copper (other) side.



across meter jacks J3 and J4.

Terminal J4 must be connected to chassis ground. This can be done by omitting the insulating washers when J4 is initially mounted. Keep all wiring as short as possible, and position the lead from J1 to SW2 close to the metal chassis. Twist together the ground and collector leads at R10.

Battery clips for B1 and B2 were secured by prying open several discarded 9V batteries and using the top terminal board.

Any suitable metal container can be used to house the instrument, but a black wrinkle-finished steel box was selected for economy, ruggedness and the ease with which transfer letters can be applied.

The pF Meter Mate has virtually no critical components, except for S2. All tolerances are wider than indicated by the materials list, so many substitutions can be made.

Switch S2 should not be replaced unless you are certain that the new switch is a low-capacitance type. Also exercise extreme caution and use a low-wattage iron in soldering pre-tinned leads to S2. The plastic housing that supports the internal elements melts easily.

Transistors Q1 and Q2 can be changed to any npn transistor, silicon or germanium, that is capable of operating at 100 kHz, and can stand off 15 volts with 30 mA collector current.

Transistor Q3 is replaceable by

most i.f. npn germanium types with a 15-volt rating. Do not use silicon types for Q3 because operation would be nonlinear due to the high emitter-to-base voltage drop.

Using the instrument

Connect your multimeter to J3 and J4 with the polarity indicated, using a low-voltage dc scale. A 1-volt scale is ideal, but the multimeter will work just as well on a 3-volt range although only one-third of the scale is used.

In other words, when the pF meter RANGE switch is in the "10" position, 10 pF will equal 1 volt, and when the RANGE switch is in the "100" position, then 100 pF will equal 1 volt.

If you have a meter similar to the Simpson 260 series, where the lowest range is 2.5 volts, and you would still like a full-scale deflection for 1 volt, set the meter up to measure current on the 50- μ A scale and connect a 20,000-ohm resistor in series with either lead. The reading can now be taken from the 0-10 scale.

Vtm's, fetvm's and trvm's can also be used as the output indicator, provided the instrument doesn't use a chopper or sample the input.

The signal at J3 is pulsating dc, and only the average value will give an accurate indication.

Before the instrument is ready for use, it must be calibrated or set up in much the same way an ohmmeter is:

1. Put the range switch in the desired position.
2. Depress the INT and TEST buttons.
3. Adjust the CAL knob for a reading of exactly 1 volt.
4. Release the pushbutton and connect the capacitor to be measured to J1 and J2.
5. Press the TEST button and take the reading directly from the voltmeter.

A reading of 0.3 volt indicates a capacitance of 3 pF if the RANGE switch was set at 10, or 30 pF if the RANGE switch was set at 100 for this reading.

The CAL switch must be readjusted every time the position of S3 is changed.

If you want to measure a capacitor that cannot be connected to the binding posts, use a pair of test leads made from 300-ohm twin-lead wire. Solder alligator clips to each conductor at one end and connect the other ends to the binding posts. Use banana jacks for plug in leads.

With no capacitor connected, depress the TEST button and you will read the capacitance of the test leads. Now connect the capacitor to the clips and test again. Record the reading and subtract the previous test-lead figure to get the true capacitor value.

Since the value of the test-lead capacitance will never change, this test has to be made only once and the value can then be marked on the twin-lead.

The pF Meter Mate can be used to measure the capacitance between tube elements, switch contacts, parallel conductors etc. It can measure wire and cable capacitances in harness work as well as check the range of a small trimmer capacitor. Further applications are limited only by the imagination of the user.

Troubleshooting

Under initial conditions, with the range switch set to 10, depress the TEST and INT buttons while adjusting the CAL knob for a reading of 1 volt. Release the INT button and observe the reading. The indication should be less than 0.05 volt (0.5 pF). You are actually measuring the stray capacitance between J1 and J2, so a higher reading would indicate faulty wiring, excessive lead length or high open-contact capacitance at S2.

If for some reason the unit fails to operate, check the battery voltage first. This voltage can be as low as 14 volts with the TEST button depressed. Under these conditions the voltage across D1 will be even less due to series resistor R1.

An oscilloscope check between J1 and J4 should show a square wave with a minimum p-p amplitude of 10 volts.

If the oscillator is not functioning and the supply voltage is o.k., check Q1 and Q2 for a minimum beta of 20. This is well below the 2N414's guaranteed minimum value.

With the INT and the TEST buttons both depressed, a differentiated wave should appear between J2 and J4.

If a waveform appears at J2 and there is still no output, check Q3 and associated components. **R-E**

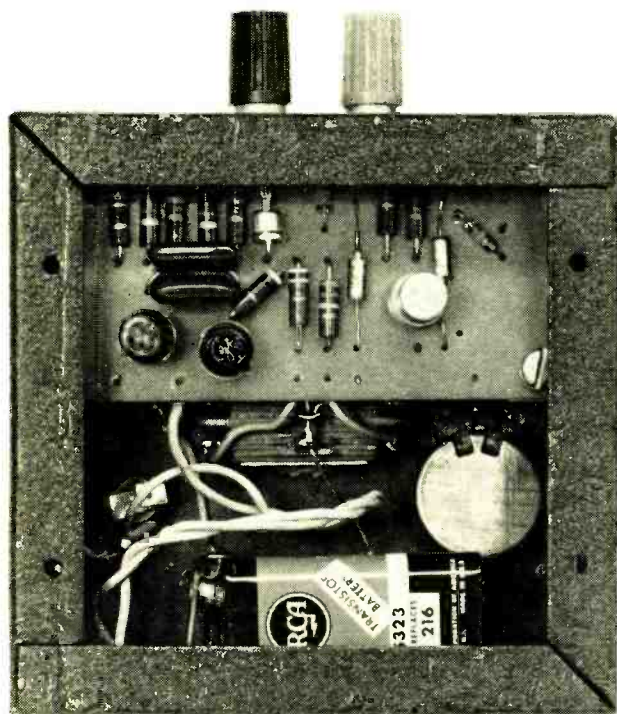


Photo shows partial layout of components.

Test Transistors Fast

Learn how ohmmeters and transistor testers show solid-state faults. Study new agc and horizontal circuits

by SYLVANIA TECHNICAL STAFF

OHMMETER TESTS WILL WEED OUT definitely defective transistors. Since a transistor can be considered as two diodes connected back-to-back, the equivalent circuit (Fig. 1) is a guide to making simple resistance tests. For example, you should find a reasonably high front-to-back ratio between emitter and base, as well as between collector and base.

If you find a low resistance when the negative ohmmeter lead is connected to the emitter and the positive lead to the base, the transistor is an npn type. A high resistance here indicates a pnp type.

You may or may not measure a substantial front-to-back ratio from emitter to collector, even if the transistor is in good condition. A few transistors are symmetrical, meaning that the emitter and collector junctions have identical characteristics. For such devices the front-to-back ratio from emitter to collector is unity. On the other hand, most transistors are unsymmetrical, and you will measure a definite front-to-back ratio from emitter to collector although this ratio is usually lower than the other two ratios. Ohmmeter measurements on a "good" transistor selected at random are noted in Fig. 1.

Junction resistances

Simple transistor testers are basically ohmmeters. A common follow-up test is to measure junction back resistances in terms of current flow. Nearly all test-

ers provide an I_{CBO} test, which measures leakage current. It applies a moderate reverse voltage between collector and base with the emitter open, as in Fig. 2. A microammeter in the collector circuit indicates whether the back resistance of the collector junction is acceptably high. Manufacturers list I_{CBO} .

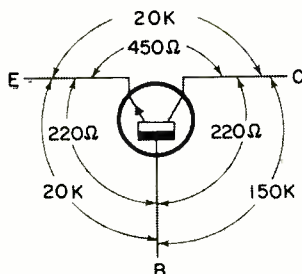
An I_{CES} test is made the same way, except that the emitter is shorted to the base. The I_{CES} current flow is normally somewhat greater than I_{CBO} current flow. Transistors are customarily rated for I_{CES} as well as I_{CBO} . Simple transistor testers seldom provide an I_{CES} test.

An I_{ECS} test is basically the same as an I_{CES} test, except that emitter and collector terminals are reversed. The reverse emitter-junction current is measured with the collector shorted to base. In a truly symmetrical transistor, I_{CES} and I_{ECS} readings are normally the same.

Many transistor testers do provide an I_{CEO} test. An I_{CEO} reading is normally greater than an I_{CBO} reading because the reverse current is increased by emitter-base junction action. This test, as well as the foregoing tests, are provided by instruments with maximum flexibility for dc tests.

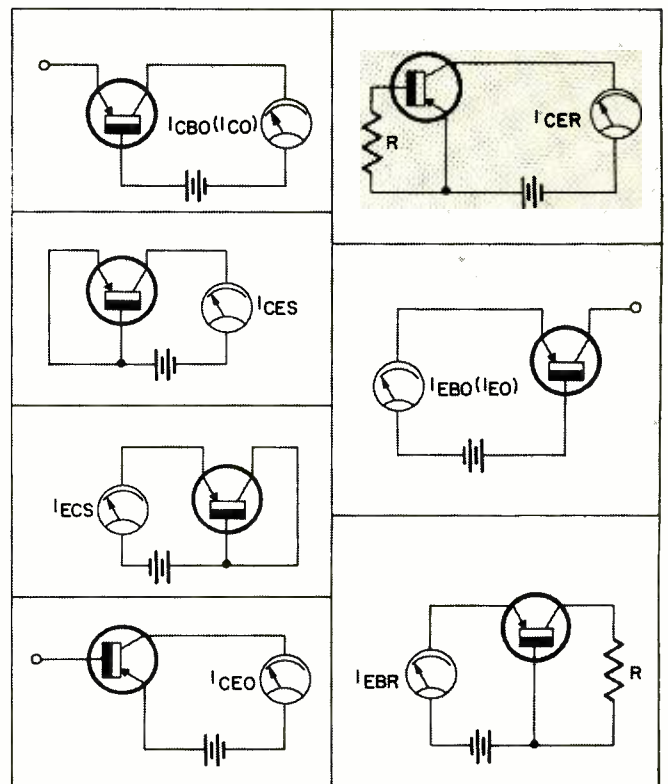
Alpha and beta

A more critical test of a transistor is to measure its alpha or beta (see Fig. 3). Basically, this is a measurement of transfer resistance. As shown in Fig. 3-a, the emitter is forward-biased, and the collector is reverse-biased. A forward emitter-bias lowers the emitter junction resistance, which is transferred by lattice action as a lowering of the collector junction resistance. Alpha is defined as the ratio of collector-to-emitter current. Beta is defined as the ratio of collector-



Next Month

This feature is devoted to In-Circuit Testing Techniques. Do not miss this special feature.



1

2

to-base current of the transistor.

The simple ratio of input to output currents gives the dc (static) alpha or beta of a transistor. This is a test that simulates large-signal operation of a transistor, where the input signal drives the transistor over a large excursion of its characteristics. On the other hand, transistors are commonly rated for small-signal operation, and published values of alpha and beta must be checked by a slightly modified procedure.

Small signal alpha and beta

To check small-signal alpha and beta, input current is set to an operating value specified by the transistor manufacturer. This establishes an operating point at a median in the characteristics, as might be used for class-A amplification. Then, input current is increased by a small amount. The corresponding change in collector current is noted. The small-signal alpha or beta is then given by the ratio of input-current change to output-current change. Alpha and beta are simply related to each other, as in Fig. 3.

The dc alpha or beta will not be the same as the small-signal alpha or beta because the transfer resistance of many transistors is nonlinear (Fig. 4). Note that a base-current change from 0 to 0.3 ma produces a much larger collector-current change than a base-current change from 0.9 to 1.2 ma. Hence, this transistor will measure a larger dc beta than its small-signal beta.

Transistor circuit applications

Automatic gain control: The agc system develops a dc voltage in a tv receiver that has a direct relationship to signal strength. This voltage controls the gain of rf and video i.f. stages to limit picture variations due to changes in signal strength. For the most accurate agc, the system is referenced to the portion of the signal which does not vary as a function of video information. These systems are keyed or gated and referenced to the signal during horizontal sync pulse time, which represents 100% carrier power of the input signal. To reference at any other time could produce an agc voltage that would vary as the picture content varied; i.e., more agc voltage on black scenes and less agc voltage on white scenes, etc. Also the effects of noise on the agc system should be minimized.

In most receivers, the chassis operates at maximum sensitivity when no signal is being received. When a signal is received, a voltage is developed that is

proportional to the strength of the incoming signal. This agc voltage is used to control receiver gain. In a conventional tube-type tuner, a negative voltage controls tuner gain. Deviation occurs when gain reduction is applied to the video i.f. of solid-state sets. Here, gain reduction is handled by increasing the forward bias, which increases collector current in the transistor. Since a positive-going voltage is required to increase the npn transistor's forward bias, the negative agc voltage is used to control an agc amplifier stage which, in turn, produces a positive voltage change at the base of the i.f. transistor controlled by agc. When an incoming signal becomes stronger, the negative agc voltage increases and increases in the positive voltage on the base of the i.f. transistors (reducing i.f. gain).

The basic principle involved in using an increase in forward bias to reduce amplifier gain is shown in Fig. 5.

In some sets special circuits are used so that above a certain level, the i.f. and tuner receive different bias voltage ratios. The signal compared to bias for both i.f. and tuner is shown in Fig. 6.

Different voltages are used for the tuner and i.f. to keep the tuner in its best response range. The graph also shows noise and tweet extremes in tuner agc levels.

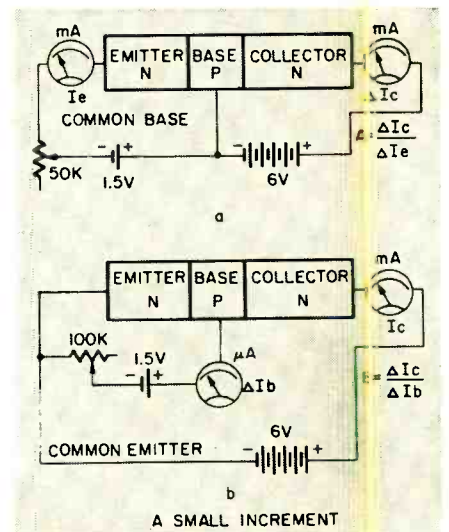
Signal strength is determined by "measuring" the horizontal sync pulse amplitude. This is the conventional means with keyed agc systems. The average video level is not used since scene changes would appear as signal strength changes.

Composite video is taken from the collector of the first video amplifier. The signal at this point is positive sync. This signal is applied to the base of the agc keyer. Since the agc keyer is an npn transistor, the positive sync tends to make it conduct (see Fig. 7).

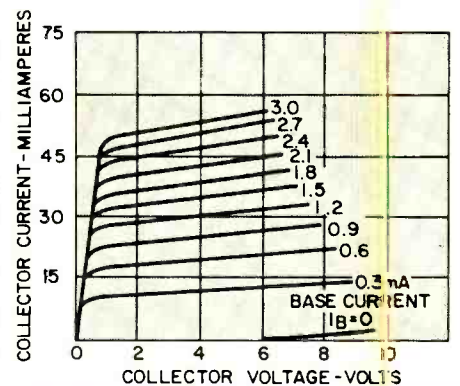
The keyer has the agc control in the emitter leg, which changes the gain of the keyer.

The agc keyer has no collector supply except for a positive pulse during the horizontal sync time. A diode connected in series with this pulse prevents the keyer from conducting except when the positive pulse is present. The agc coil also has a negative excursion which would forward bias the keyer's collector and destroy the transistor.

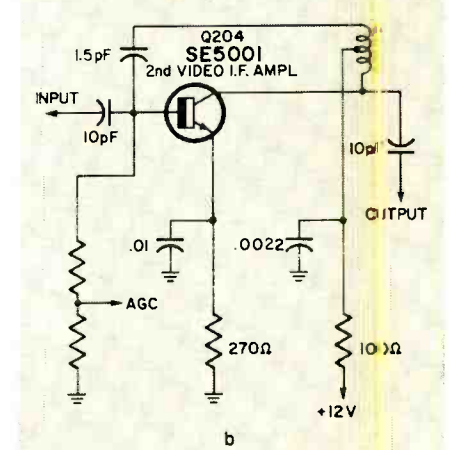
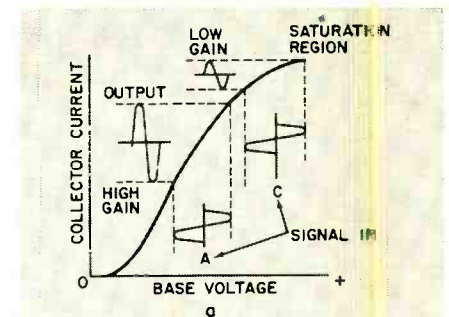
The positive keying pulse is supplied from a coil on the flyback transformer, the return leg of the agc amplifier. The



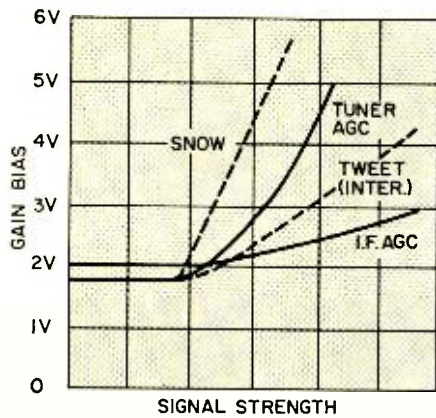
3



4



5



signal increases. Consequently, under maximum signal conditions the agc amplifier is driven toward cutoff and the collector voltage is at maximum. Maximum positive agc causes amplifier gain.

The collector voltage is fed directly to the tuner agc line. Under maximum signal conditions, the i.f. agc voltage is divided first by R2 and R3 and then by R4 and R5. Since conduction through R3 and R4 is light, the reverse voltage difference across the diode is large and it remains non-conducting.

As the signal weakens, the agc amplifier begins to conduct, which causes the reverse voltage differential on the diode to decrease. At some point, the diode conducts and places almost the same agc voltage on the i.f. as the tuner.

age results. The positive voltage developed across R430 maintains a reverse bias on Q400, emitter to base. As the more negative base voltage of Q400 is neutralized (depending on the horizontal hold control setting) by the plus 12-volt supply voltage, the transistor goes back into conduction. Its collector voltage drops, applying a negative voltage to the base of Q402 and driving it to cut-off. This results in loss of emitter voltage on Q400, which is again biased off and the cycle repeats itself.

Horizontal output circuit

The horizontal oscillator input (in a Sylvania A02 chassis) to driver stage Q404 is approximately a square wave at about 3.8 volts peak-to-peak (see Fig. 10). It is amplified by the driver stage to a 25-volt peak-to-peak pulse. It is then applied to T400 to drive the final output Q406. This transistor normally conducts at saturation, and when the driver pulse is applied is cut-off almost instantaneously. This is a positive pulse from T400 and reverse biases the emitter base junction of Q406.

When Q406 stops conducting, the heavy B-plus current flowing through the transistor, through T402 winding (4 to 3 taps) and then through diode SC404, is cut-off. The resulting inductive "kick" by autotransformer action produces a 230-volt peak-to-peak spike on Q406's emitter and across the yoke coil network. The spike aids the driving pulse to Q406 from the driver stage through the low impedance path between emitter and base.

The SC409, C437 and R441 network across the yoke coils and C436 tends to clamp Q406's emitter to about a maximum of 240 volts peak-to-peak. This protects the transistor from breakdown due to voltages over this value. The clamping network is placed on the yoke only as a convenience.

The T402 secondary provides blanking, agc and high voltage spikes. SC411 rectifies the high-voltage spikes to provide 11kV to the picture tube.

Part of the autotransformer's primary is applied to diodes SC404 and SC406, which then act as voltage doublers to provide 120 volts. This voltage is used on the final video amplifier and G2 and G3 picture tube grids.

Damper diode SC407 is cut-off during positive excursions of the emitter spoke. When the negative excursions occur the circuit inductance tries to make the emitter voltage go negative. This is clamped to ground potential by the diode and will not go below 0 volts.

Capacitor C436, in series with the horizontal yoke, provides linearity correction for wide angle picture tube scanning. This capacitor causes dc to pass through the flyback. A parabolic waveform is developed across the capaci-

Horizontal deflection

The horizontal deflection requirements for a TV set call for a magnetic field capable of linearly deflecting the beam across the tube face and returning it to a starting point 15.750 times per second. An equivalent form of deflection circuit is in Fig. 8.

The transistor acts as a switch across the entire coil and power supply network. If the transistor is switched on, the yoke coil's current increases at about a linear rate. When a set time interval elapses the transistor is turned off. The inductive kick from the coil is impressed on the transistor diode and capacitor C. The coils and capacitor form a tank circuit and tend to oscillate or ring. The diode acts as a short or closed circuit on the opposite polarity of each "ring" cycle. By proper timing of transistor and diode switching, a sawtooth current passes through the coils. This current averages out to be near zero, provides circuit efficiency, and removes the need of beam decentering. Beam decentering means the need for its starting point to always be at one extreme side of the screen.

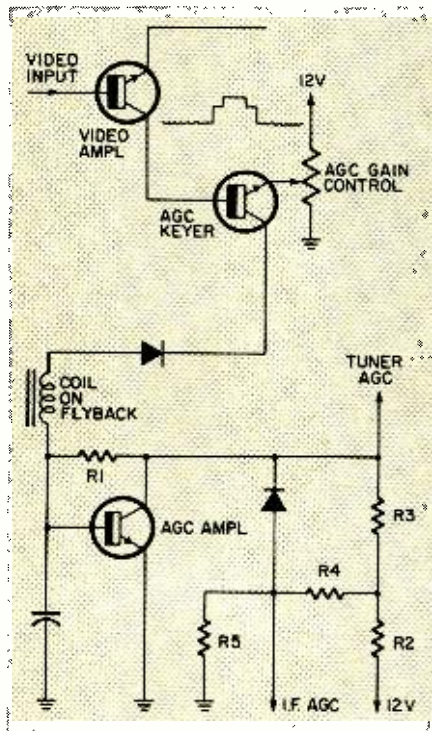
After the transistor is switched off and coil energy is transferred from the capacitor back to the coil, polarity reversal occurs and the damping diode conducts. The current is now flowing in the coils in the reverse direction and approaches zero. When zero is reached the transistor is again turned on, starting another cycle.

Horizontal oscillator

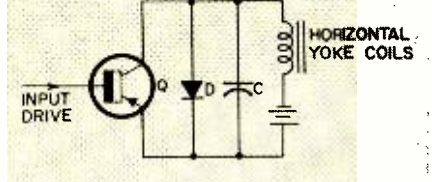
The horizontal oscillator circuit in the Sylvania A02 chassis (Fig. 9) is an emitter coupled, two-stage multivibrator. Regenerative feedback voltage between stages is developed across the common emitter resistor.

When Q400 is at cut-off, collector voltage is about equal to battery voltage. This positive voltage is coupled to Q402 by C416, placing a forward positive voltage on the base of Q402. Q402 then goes to saturation and minimum collector volt-

6



7



amount of current drawn from the agc amplifier base circuit is proportional to the amount which the keyer is conducting which, in turn, depends on the sync pulse amplitude.

A capacitor in the base circuit of the agc amplifier charges to some value through R1. The higher the sync pulse amplitude, the greater the drain on the capacitor's charge. The less the charge on the capacitor, the less the agc amplifier conducts.

We then have a system which causes the agc amplifier to conduct more as the signal weakens and conduct less as the

**“He’s a good worker.
I’d promote him
right now if he had
more education
in electronics.”**



Could they be talking about you?

You'll miss a lot of opportunities if you try to get along in the electronics industry without an advanced education. Many doors will be closed to you, and no amount of hard work will open them.

But you can build a rewarding career if you supplement your experience with specialized knowledge of one of the key areas of electronics. As a specialist, you will enjoy security, excellent pay, and the kind of future you want for yourself and your family.

Going back to school isn't easy for a man with a

full-time job and family obligations. But CREI Home Study Programs make it possible for you to get the additional education you need without attending classes. You study at home, at your own pace, on your own schedule. You study with the assurance that what you learn can be applied to the job immediately.

CREI Programs cover all important areas of electronics including communications, radar and sonar, even missile and spacecraft guidance. You're sure to find a program that fits your career objectives.



You're eligible for a CREI Program if you work in electronics and have a high school education. Our FREE book gives complete information. Mail postpaid card for your copy. If card is detached, use coupon at right or write: CREI, Dept. 1402 H, 3224 16th St., N.W., Washington, D.C. 20010.

Founded 1927



Accredited Member of the National Home Study Council



NEW!
Expanded coverage of solid state electronics including integrated circuits!

CREI, Home Study Division
McGraw-Hill Book Company
Dept. 1402H, 3224 Sixteenth Street, N.W.
Washington, D.C. 20010

Please send me FREE book describing CREI Programs. I am employed in electronics and have a high school education.

NAME _____ AGE _____

ADDRESS _____

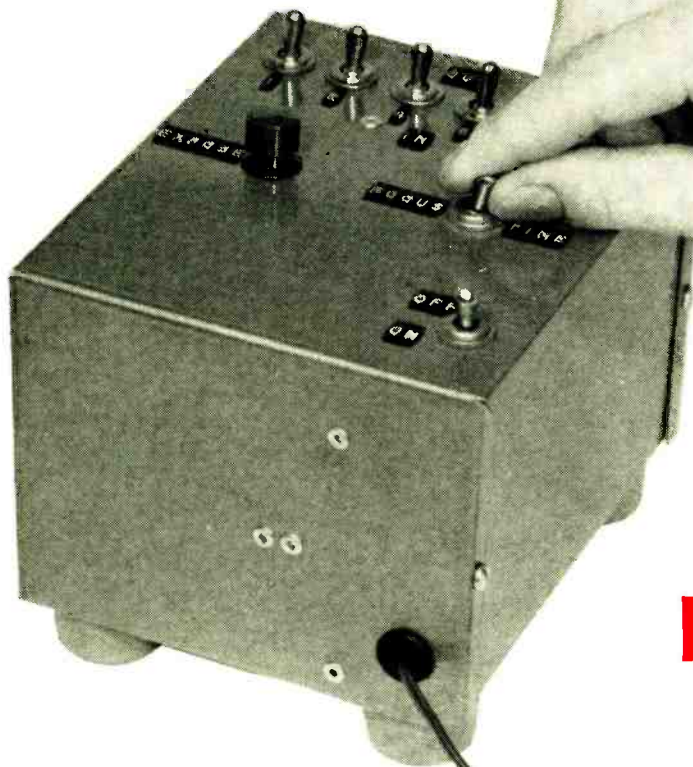
CITY _____ STATE _____ ZIP CODE _____

EMPLOYED BY _____

TYPE OF PRESENT WORK _____ G.I. BILL

I am interested in Electronic Engineering Technology
 Space Electronics Nuclear Engineering Technology
 NEW! Digital Communications

APPROVED FOR TRAINING UNDER NEW G.I. BILL



For your darkroom

Digital Photo Enlarger Timer

Switch in the exposure time you want.

It's as easy as 2-4-8-16-32

By C. R. MORTON

THIS ELECTRONIC DEVICE FILLS A photographer's need for an accurate, easy-to-operate timer to control a photographic enlarger. The binary-switched unit described provides accuracy as well as touch-only operation.

Unlike most clock or electronic timers, time duration is set by positioning a bank of six toggle switches. The switches are binary in action. Switch 3 has a time value of 1 second; switch 4, 2 seconds; switches 5, 6, 7 and 8—4, 8, 16 and 32 seconds, respectively. Thus any setting between 1 and 63 seconds in 1 second steps may be selected by switching in appropriate switches. The schematic is in Fig. 1.

How it works

Relay RY1 applies 117 Vac to the outlet receptacle when energized. Switches S3 through S8 are the binary selection switches. EXPOSE switch S1 initiates the timer sequence. FOCUS-TIME switch S2 bypasses RY1 to provide a constant 117 Vac to the outlet socket during focusing, negative selection etc.

An emitter-coupled, monostable circuit, Q1 and Q2, is the timer. Transistor Q1 is normally held off by bias resistors R2 and R3 and the voltage

across R5 due to transistor Q2's on current. When S1 is depressed, R1 is connected to the base of Q1, turning Q1 on. Transistor Q2 is then turned off by the discharge of C1 through R6, the bias source for Q2, and switched-timer resistors R10 through R15.

Prior to Q2 turnoff, power-transistor Q3 is held off by the low collector voltage of Q2 and the emitter-biasing network. 8.2V Zener diode D2 and R8. When Q2 turns off, the collector voltage rises, causing Q3 to saturate and relay RY1 to close. The 75,000-ohm biasing resistor for Q2, R6, would normally determine the discharge time of C1. However, R6 is connected to -18V by normally closed contacts 5 and 6 of RY1.

When RY1 energizes, contacts 5 and 6 open, removing R6 from the circuit. Contact 6 now makes with 7, connecting -18V to the timer resistors through D1 and the wiper of calibra-

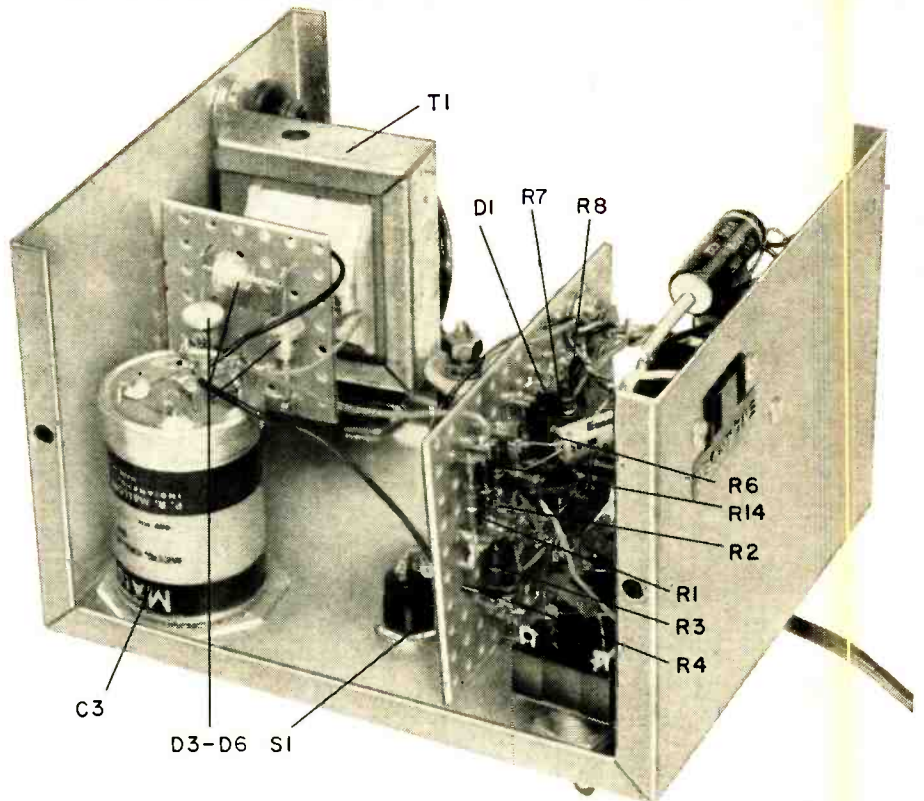
tion potentiometer R9. Thus C1 discharges through the timer resistors only. Potentiometer R9 provides calibration by varying C1's discharge voltage. Diode D1 is reverse-biased when RY1 is de-energized and Q2 is conducting; thus D1 removes the timer resistors from Q2's bias path.

Collector-to-base leakage in Q2 would reduce accuracy on long time settings. A silicon transistor is used to reduce this effect. Switch S2 bypasses RY1 when continuous operation is desired. Capacitor C2 bypasses contacts 9 and 10 of RY1 for arc suppression.

The power supply is a full-wave bridge type and provides -18 Vdc unloaded and -15 Vdc when loaded by transistor Q3.

Construction

Drill and punch the cabinet, a 6" x 5" x 4" utility box. The switches, power transformer, filter capacitor, outlet and relay were mounted as shown in the photographs. The bridge rectifier for the power supply was mounted on a 2" x 2" square of perforated board and attached to the cabinet with an aluminium bracket. Screws or pop rivets were used to mount the hardware and board. Ca-



Another view of the timer interior. This time the power supply elements can be clearly seen. Parts arrangement is not critical.

PARTS LIST

Resistors R1-R8 ½ watt, 10%

R1—5600 ohms
R2—18,000 ohms
R3—1200 ohms
R4—12,000 ohms
R5—330 ohms
R6—75,000 ohms
R7—1800 ohms
R8—3300 ohms

Resistors R10-R15 ½ watt, 1%

R9—1000-ohm linear potentiometer (Mallory subminiature Minitrol 13L.)
R10—11,000 ohms
R11—22,100 ohms
R12—44,200 ohms
R13—88,700 ohms
R14—178,000 ohms
R15—357,000 ohms

Capacitors

C1—50 μF, 25 Vdc, low leakage (Sprague TE 1209 or CD NLW50-25)
C2—0.033 μF, 600 Vdc
C3—500 μF, 25 WVdc

Semiconductors

D1—1N91 diode
D2—8.2 V, 10-watt Zener diode (a 3.5-watt IRC 1N1592 may be used)
D3, D4, D5, D6—100 V piv diodes (IRC 10C1 or similar)
Q1—2N526 transistor
Q2—2N4037 transistor
Q3—2N627 transistor

Other parts

S1—Pushbutton switch, momentary on (Grayhill 4001)
S2, 9—Spst toggle switch (Cutler Hammer 8280K16)
S3-S8—Spdt toggle switch (Cutler Hammer 8282K14)
T1—12.6 V, 1-amp filament transformer (Radio Shack 27-1505 or similar)
RY1—2PDT, 6 V, 52-ohm coil (dc) (Allied Control TF154-2C)
MISC—6" x 3" vector board and terminals, ac socket (chassis mounting type), 6" x 5" x 4" utility box, line cord, rubber feet and mounting hardware.

Note: RY1 is rated at 5 amps. For enlargers or other devices rated above 500 watts, use a relay with 10-amp contacts. For a relay with a 6 Vdc coil resistance of 25 ohms or less, make the following changes: R5, 270 ohms; R6, 56,000 ohms; R7, 1200 ohms.

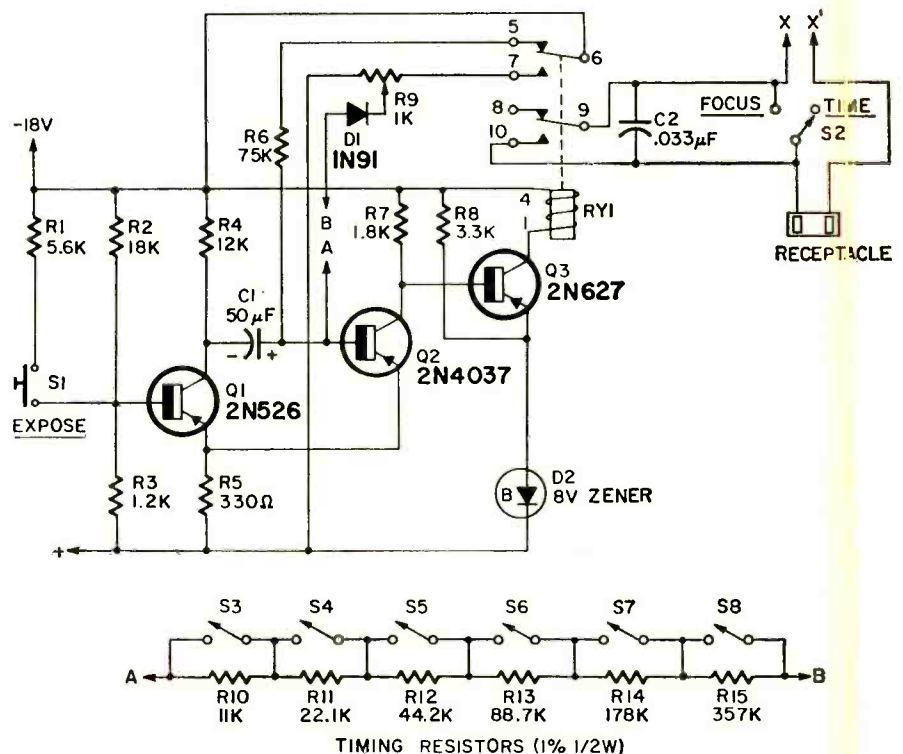
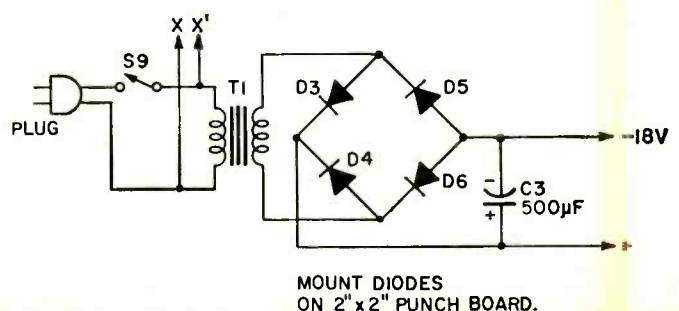


Fig. 1—Complete circuit of the digital enlarger timer. Note that timing accuracy is directly dependent upon the precision of the timing resistors, so check these units carefully before installing them in your unit.



MOUNT DIODES ON 2" x 2" PUNCH BOARD.

capacitor C3 must be insulated from the cabinet if a metal case is used. The capacitor was connected to a piece of perforated board and the board cemented to the cabinet with epoxy cement. A drop of epoxy cement was applied to the switch mounting nuts to insure they would not loosen during use. Precision timer resistors are then mounted to the binary switches.

A wiring harness for ac distribution may be made by twisting three colored wires together and running them along the cabinet. Fig. 2 shows a suggested component layout for the main circuit board. As the board is mounted vertically, calibration pot R9 should be attached to the board with an angle bracket for accessibility. Transistor Q3 may be mounted directly to the board as long as the coil resistance of RY1 is greater than 25 ohms.

Calibration and use

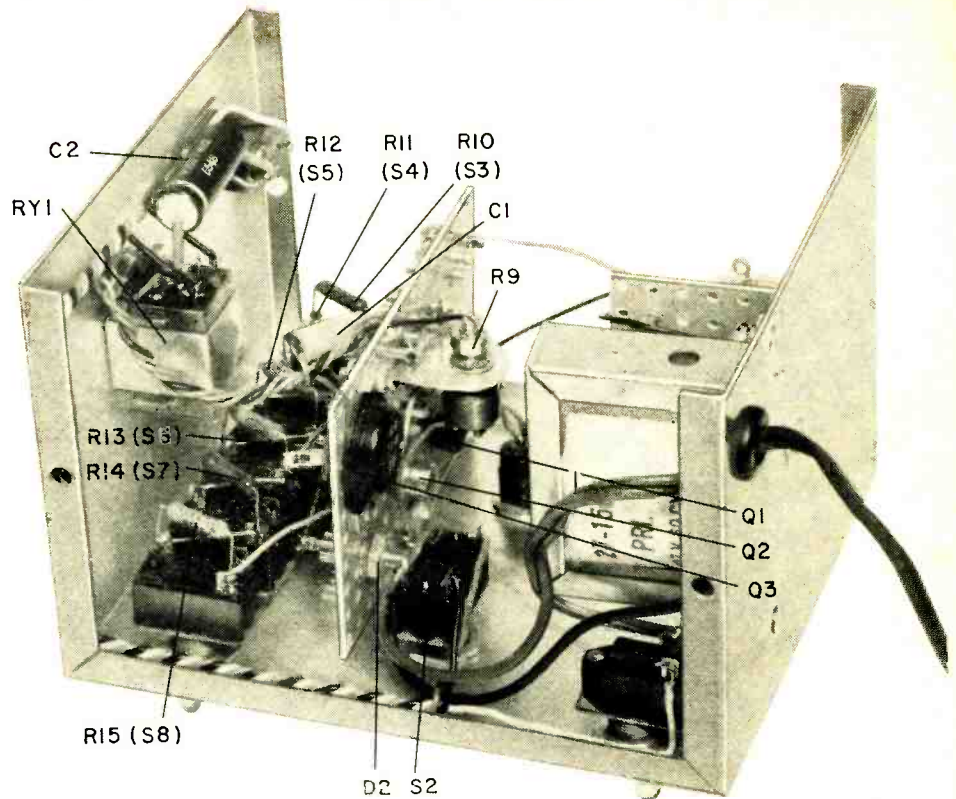
Before connecting the power supply to the circuit board, carefully check all connections. Turn the power on, and make sure the output voltage supply is about -18 Vdc. The power supply may then be wired to the circuit board.

Set R9 to mid-range, the 2- and 8-second switches in, the FOCUS-TIME switch to TIME. When the unit is turned on, RY1 should energize and de-energize immediately. Allow about 10 seconds for C1 to charge, then press the expose switch. The relay should energize for 6 to 15 seconds. R9 is now set for an on time of 10 seconds. (Note: allow at least 10 seconds for C1 to recharge before cycling the unit during calibration and use.)

Reset the switches for an on time of 32 seconds and cycle the unit. The relay should now energize for 28 to 32 seconds, depending upon initial calibration. Potentiometer R9 is now carefully adjusted for a duration of 32 ± 0.5 seconds. The timer's accuracy is dependent upon how accurately this adjustment is made.

A time check should now be made for all ranges. If the 1-second setting is short and all others within 2% to 5%, C1 is probably low in value and should be replaced. Loss of accuracy on the time settings 45 seconds and longer is normally caused by leakage in C1 or Q2; C1 should be suspected first. The unit is capable of 2% accuracy from 1 to 63 seconds.

To use the unit, plug the enlarger into the output receptacle of the timer and turn on the enlarger switch. The enlarger sequence is now controlled by the timer. To focus, select negatives or make exposure readings, set the



Inside view of the timer. From this angle you can see the timing resistors connected across the individual selector switches.

FOCUS-TIME switch to FOCUS. After determining the correct exposure time, set the desired time value with the binary switches and set the FOCUS-TIME switch to TIME. Exposure is then

initiated by pressing the EXPOSE switch. A little practice will enable you to vary the time setting in total darkness, reading the binary settings by touch only. **R-E**

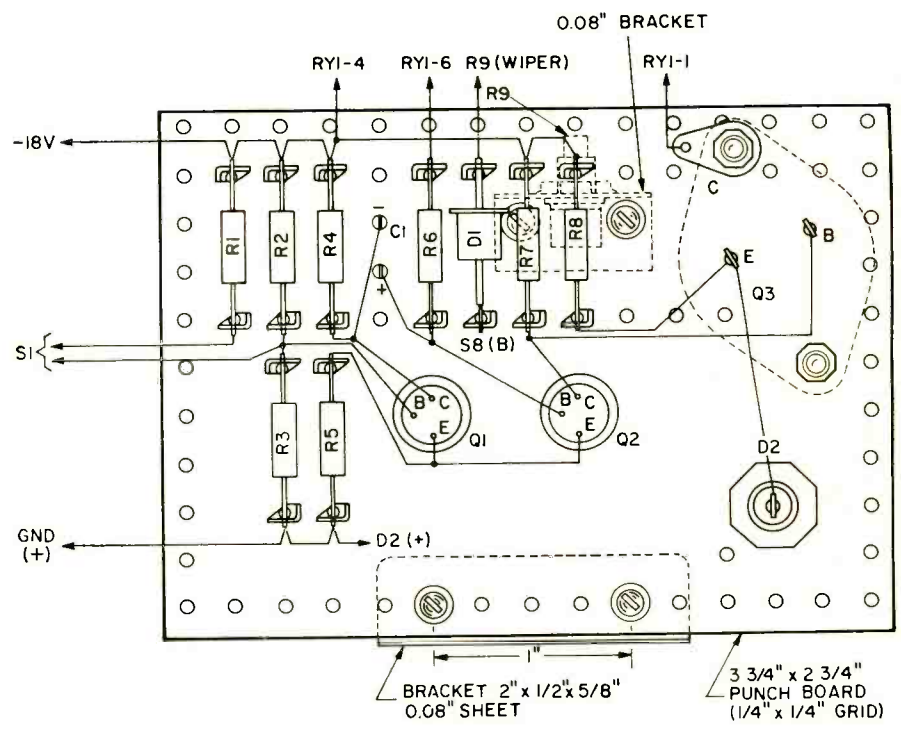


Fig. 2—Suggested parts layout for components that do not mount directly on the case of the unit. It will ease construction if followed closely.



EQUIPMENT REPORT

Heathkit AJ-15 FM Stereo Tuner

For manufacturer's literature, circle No. 43 on Reader Service Card.

HEATHKIT'S ENGINEERING OPERATION on its AR-15 receiver has resulted in separate tuner and amplifier kits "for the man who" already owns a quality amplifier or tuner.

After assembling the AJ-15 tuner half of the operation, and enjoying it for a month, I can say the operation was a complete success. In a few respects the AJ-15 is superior to the tuner portion of the AR-15—despite identical performance specifications.

This is because Heath has put the extra panel space created by removing the amplifier to good use, placing formerly concealed adjustments on the front panel. Squelch can be easily set to cut interstation hiss, or turned off completely for DXing weak FM signals. A pull-to-adjust control permits adjustment of the 19 kHz pilot signal. The control is adjusted for an audio null on each stereo station if maximum stereo separation is desired. Also, of course, the tuner runs cooler without sharing its case with a hefty power amplifier.

The function switch selects FM in either MONO, AUTO or STEREO. The automatic mode receives both monophonic and stereo broadcasts, and in the stereo mode the tuner will only operate with stereo signals.

For initial listening tests, the tuner was plugged into an auxiliary input of Heathkit's AR-13A stereo receiver. This enabled A-B comparison tests with a receiver whose tuned-transformer FM i.f. section is typical of most tuners, as well as a familiar "FM sound."

The AJ-15 demonstrated its wide frequency response, selectivity and sensitivity in monophonic operation even before the multiplex board was adjusted for stereo reception. A few seconds after the "on" switch was pushed, I stumbled on a station playing a badly warped record. Through the AJ-15, the low-frequency 33½

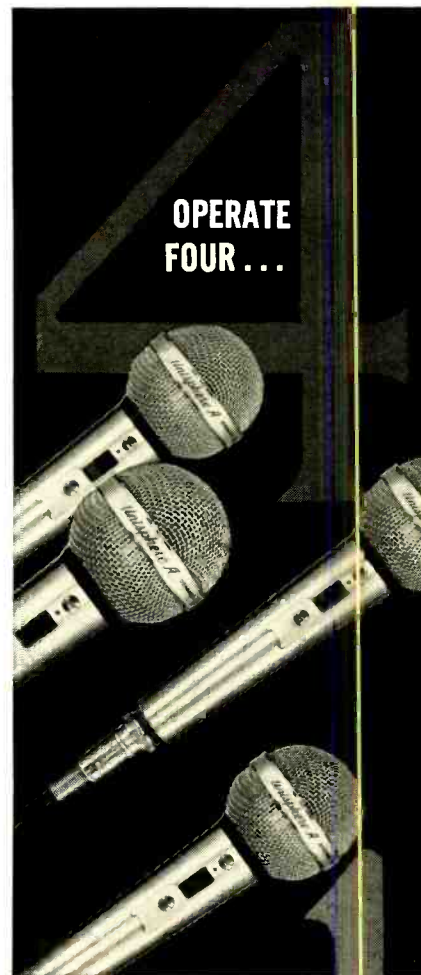
rpm "thump" was quite distinct and quickly became annoying. On the AR-13A, however, the thumping was just perceptible, and only became a distraction when the bass control was advanced.

Another quality of the new tuner that is quickly noticed is a *total* absence of noise during most program reception—especially FM stereo. This faint hiss, which is most obvious when wearing headphones, is heard on almost all stations through the AR-13A, and is present in other quality tuners and receivers.

Stations in the New York City area were logged and rated on both tuners to compare sensitivity and selectivity. Pickup was via a MATV system equipped with an FM antenna. The AR-13A received 28 stations; 21 were considered acceptable for listening. Of the 10 stereo stations received, 6 were listenable, although all but one had a background hiss. The AJ-15 logged 35 stations, 28 were judged acceptable for comfortable listening, but *all* 10 stereo stations received were crystal clear, with one station requiring the front-panel NOISE switch to suppress apparent SCA interference. (The NOISE switch is effective only on stereo broadcasts, and produces only a faint perceptible cut in high frequencies.)

Spurious rejection is another plus for the AJ-15. The tuner's ability to reject spurious signals exceeds 100 dB, which is very useful in high signal strength areas where strong stations may appear at several points on the dial. (See circuit description in "What's New In FM Tuners," RADIO-ELECTRONICS, October 1968, page 50.)

The filter-transistor-IC combination in the i.f. strip gives the AJ-15 beautiful bandpass characteristics, and eliminates the need for initial or periodic alignment of the i.f. circuits. A



OPERATE
FOUR ...

... AS
EASILY AND
COMPETENTLY AS
ONE
MICROPHONE

The Shure M68 Microphone Mixer enables you to teach inexperienced users how to operate a multiple-microphone sound system in seconds! It is your best tool for selling Total Communications*. (* A superior sound system in which everybody who needs a microphone has one at his fingertips.)

SHURE
MICROPHONE
MIXER

...YOUR KEY TO TOTAL COMMUNICATIONS
© 1967 Shure Electronics, Inc.
Circle 31 on reader service card

Olson



FREE

Fill in coupon for a **FREE** One Year Subscription to **OLSON ELECTRONICS' Fantastic Value Packed Catalog**—Unheard of **LOW, LOW PRICES** on Brand Name Speakers, Changers, Tubes, Tools, Stereo Amps, Tuners, CB, Hi-Fi's, and thousands of other Electronic Values. Credit plan available.

NAME _____
ADDRESS _____
CITY _____ STATE _____

GIVE ZIP CODE _____

If you have a friend interested in electronics send his name and address for a **FREE** subscription also.

OLSON ELECTRONICS

327 S. Forge Street Akron, Ohio 44308

Circle 32 on reader service card

NEW! SOLID STATE KITS

FOR ANY
TAPE RECORDER



Automatic Recording-Level Control

Low-noise distortionless compressor — preamp easily installs in mike line. Easy-to-build kit with complete instructions.

MODEL ACP-1 KIT . . . \$18.50

Voice / Sound Actuated Controller

Voice operate any tape recorder, ham and CB transmitter. Ideal for intrusion alarms. Built-in relay switches up to 1 amp. Easy-to-build kit with complete instructions.

MODEL VOX-1 KIT . . . \$18.50

Other Kits

Audio Amplifiers ■ Power Supplies
Test Equipment ■ Treasure Locators
and many others

FREE Data sheets with circuit description, diagram and specifications for all kits.



CARINGELLA ELECTRONICS, Inc.
P.O. Box 327 ■ Upland, California 91786
Phone 714-985-1540

Circle 33 on reader service card

Build this magnificent Schober Theatre Organ for only \$1550!*



*Includes finished walnut console. Amplifier, speaker system, optional accessories extra. Only \$1150.50 if you build your own console.

You couldn't touch an organ like this in a store for less than \$3500—and there hasn't been a musical instrument with this vast variety of **genuine** Theatre Organ voices since the days of the silent movies! Haunting tibias, biting strings, blaring reeds—the whole A to Z gamut of **real** pipe sounds that make the simplest playing a thrilling experience and give the professional organist everything he needs. If you've dreamed of the grandeur of authentic big-organ sound in your own home, you won't find a more satisfying instrument anywhere—kit or no kit.

You can learn to play it. And you can build it, from Schober Kits, world famous for ease of assembly without the slightest knowledge of electronics or music, for design and parts quality from the ground up, and—above all—for the highest praise from musicians everywhere.

Send right now for your copy of the full-color Schober catalog, containing specifications of the five Schober Organ models, beginning at \$599.50. No charge, no obligation—but lots of food for a healthy musical appetite!

The *Schober* Organ Corp., Dept. RE-63
43 West 61st Street, New York, N.Y. 10023

- Please send me Schober Organ Catalog and free 7-inch "sample" record.
- Enclosed please find \$1.00 for 12-inch L.P. record of Schober Organ music.

NAME _____
ADDRESS _____
CITY _____ STATE _____ ZIP _____

Circle 34 on reader service card

scope shows the bandpass curve of the i.f. section to have very steep skirts and a flat top, unlike the bell-shaped curve of the traditional double-tuned i.f. strip. The steep i.f. curve gives the tuner its razor sharp selectivity, enabling it to tune a relatively weak station located only 200 kHz on the dial from a strong station.

The squelch circuit uses a filtered portion (100 kHz) of any noise managing to sneak through the i.f. circuits to the multiplex circuit board. This noise signal is amplified and used in conjunction with the front-panel SQUELCH control and the stereo threshold circuits. Listeners can determine what noise level is acceptable on stereo broadcasts by placing the front panel STEREO THRESH switch in its minimum position and adjusting an associated potentiometer until the tuner switches from stereo to monophonic operation.

Stereo signals with noise levels exceeding this setting automatically switch the tuner to the monophonic mode. The MAX position of this switch bypasses the threshold setting.

Assembly and alignment of the AJ-15 were surprisingly easy. I spent about 23 hours putting it into operation. Two printed circuit boards and a single pre-cut cable simplify construction.

Both the TUNE and SIGNAL meters are used to align the FM and multiplex sections of the tuner. I found no need to perform any FM section adjustments. But zero-beating the tuner's 38-kHz oscillator to a FM station's stereo subcarrier proved extremely critical. Headphones help here.

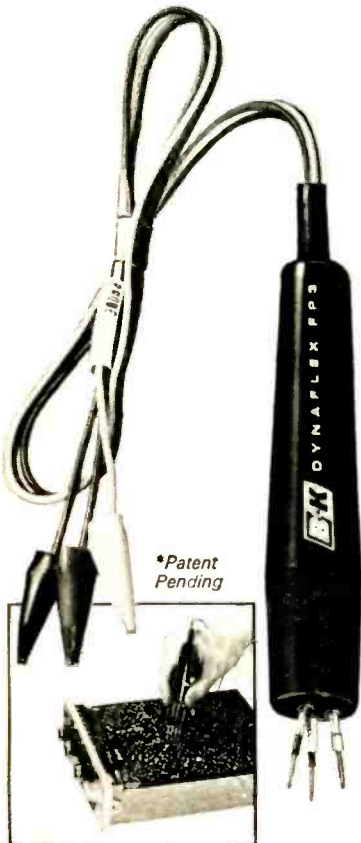
In a word, the tuner can only be described as spectacular. Heath's innovative use of crystal filters and IC's in the i.f. section provide a great improvement in FM tuning.—*John R. Free*

MANUFACTURER'S SPECIFICATIONS

FM MONOPHONIC: Tuning range: 88–108 MHz. I.f.: 10.7 MHz. Frequency response: ±1 dB, 20 Hz to 15 kHz. Volume sensitivity: below measureable level. Selectivity: 70 dB (IHF). Image rejection: 90 dB. I.f. rejection: 90 dB minimum (IHF). Capture ratio: 1.5 dB (IHF). AM suppression: 50 dB (IHF). Harmonic and intermodulation distortion: 0.5% or less (IHF). Hum and noise: 65 dB (IHF). Sensitivity: 1.8 μV (IHF). Spurious rejection: 100 dB (IHF). **FM STEREO:** Channel separation: 40 dB or greater. Harmonic distortion: less than 1% at 1000 Hz with 100% modulation. 19 and 38 kHz suppression: 55 dB or greater. SCA suppression: 50 dB. Output voltage: tape and fixed, 1.5V rms nominal (100% modulation), less than 0.5% harmonic distortion. Phone and variable, 0–4V before clipping (100% modulation). Less than 0.5% harmonic distortion. Output impedance: tape and fixed approximately 9000 ohms, phone and variable, 100 ohms. \$189.95, less cabinet.

Dyna-flex*

the only practical probe
for testing
transistors in circuits.



Throw away your alligator clips! Dyna-flex, the world's first and only 3-point probe, makes instant test connections to transistors in printed boards. Easy to use, the Dyna-flex probes are spring-mounted on ball joints. Allow you to adjust to any spacing 1/32" to 5/8", using only one hand. Dyna-flex eliminates costly unsoldering; can be used to make temporary component substitutions on printed wiring boards. Each point is color-coded for fast, easy identification. Dyna-flex—another engineering breakthrough from B&K.

Model FP-3, \$12.95 user net



B&K Division of Dynascan Corporation
1801 W. Belle Plaine Avenue/Chicago, Illinois 60613
Where Electronic Innovation Is A Way Of Life
Circle 29 on reader service card

EQUIPMENT REPORT

Sencore CR-143 CRT tester.

*For manufacturer's literature, circle
No. 44 on Reader Service Card.*

A GOOD CRT TESTER IS GOING TO BE A vital part of our arsenal from now on. It should have been with b-w, and with the added complexity of color tubes, it's essential. Sencore's CR-143 Champion CRT tester provides for testing most anything you want on any picture tube.

For b-w tube testing it will read total emission, grid cutoff voltage, shorts or leakage. For the low-G2 types, a variable screen-voltage supply is provided. A heater voltage selector switch goes from 1 to 12 volts in 1-volt steps. A LINE ADJUST control allows setting to the correct voltages.

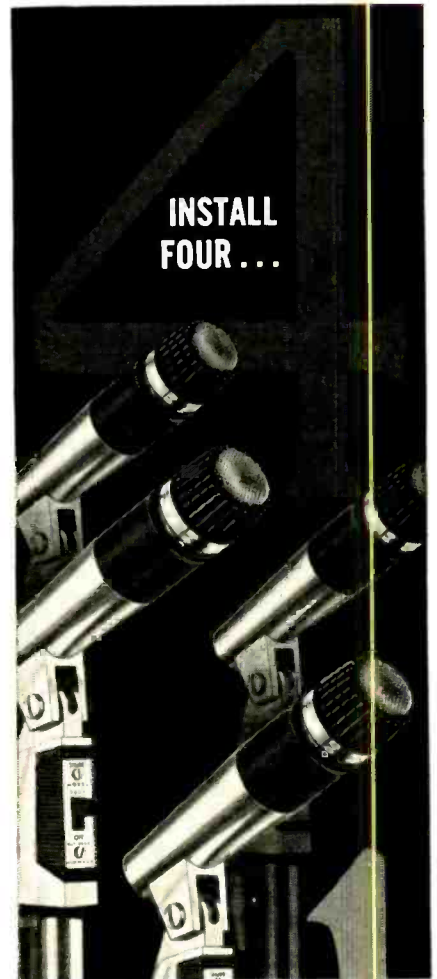


Many old CRT testers applied raw ac to everything but the cathode of a CRT, then read the rectified current, for emission tests. The CR-143 uses well-filtered dc on all elements (except the heater, of course).

The control-grid voltage is variable. It is set to a reference line on the meter, which is "cutoff". Then, the EMISSION-TEST button takes off the bias, and the total emission is read at zero bias. Since the G2 (screen) voltage in color tubes also affects the cutoff, this is also variable for each gun or for b-w tubes.

The FUNCTION switch provides the ac line on-off switch, a LINE-ADJUST position, SHORTS TEST, EMISSION TEST, and a REMOVE-SHORT position, besides the three REJUVENATE positions. In REMOVE SHORTS, a voltage can be applied between cathode and control grid to blow out possible particle shorts.

The CR-143 uses a novel rejuvenate circuit. Instead of applying the flashing voltage continuously, it's applied by discharging a big capacitor through a switch



INSTALL
FOUR ...

... IN THE
TIME IT NOW
TAKES TO INSTALL
ONE
MICROPHONE

Install multiple microphones as quickly as you can plug them into the Shure M68 Microphone Mixer. No splicing or soldering, no need to change impedances. Makes it easy to achieve Total Communications*.

(* A superior sound installation in which everybody who needs a microphone has one at his fingertips.)

SHURE
**MICROPHONE
MIXER**

...YOUR KEY TO TOTAL COMMUNICATIONS
© 1967 Shure Brothers, Inc.
Circle 35 on reader service card

COMING NEXT MONTH

Attention all audio buffs.
Here come 5 articles
prepared especially for you.

- **Crossovers**—Which kind is best? Electrical or Mechanical? Norman Crowhurst gives us a quick rundown on the pros and cons as seen from both sides.
- **Crossovers**—Do we need them at all? Bose Corporation engineer tells why the fabulous new Bose speaker system doesn't use any at all.
- **Speaker Enclosures**—Complete plans for building 16 different kinds. You're bound to find a cabinet that fits your needs somewhere in this group.
- **Portable IC Stereo**—A complete battery powered stereo phono. And the IC amplifiers are located *in* the pickup arm. A really fun project.
- **Get Better Sound From Inexpensive Speakers**—It's relatively easy when you know how. See how you can easily add wizzers, boost cone compliance, etc. for better sound.

AND THERE'S MORE

Use The Wired Board Technique—How to reap the benefits of a printed circuit board without making a printed circuit.

Ten Emitter-Coupled Circuits—Emitter-coupled circuits make great amplifiers. Make some yourself. Experiment with these.

Alphanumeric Nixie Fun—Games, fun, and education in a simple gadget that teaches how the alphanumeric Nixie works and acts as a great toy for the kids.

AND THERE'S SERVICING

In-Circuit Testing Techniques—How to handle transistors without taking them out of the equipment being serviced.

Troubleshooting Special Solid-State Circuits—Matt Mandl tells how to handle the offbeat transistor circuits in solid-state TV.

In The Shop—Jack Darr hits a heartbreaker, How Effective are Rejuvenators for Color CRTs.

Service Clinic—Your servicing problems, tackled by our expert, to make your day go a bit smoother.

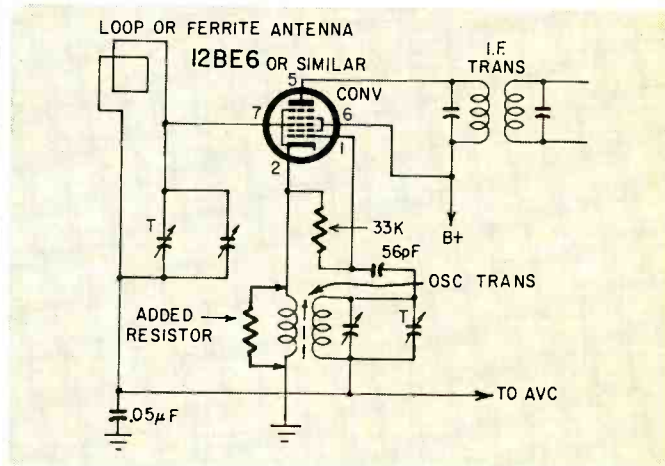
**Remember — Don't Miss the
March Radio-Electronics**

TECHNOTES

BIRDIES IN AC-DC AM SETS

A frequent complaint against 5-tube ac-dc radios is whistles or "birdies" at certain points on the dial. This is often caused by image interference due to the lack of adequate selectivity ahead of the converter stage. There is also another cause of these objectional noises. The local oscillator is delivering too strong a signal. This signal produces harmonics which beat with the fundamental to produce the birdies.

This can be determined by shorting the antenna section of the set's tuning capacitor and then turning it through its



range. If the oscillator signal is too strong, birdies appear at multiples of the i.f. If this is the case, the remedy is simple.

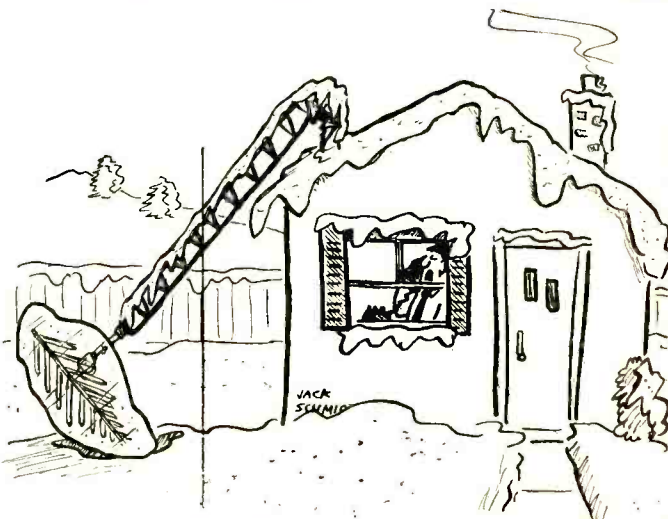
The diagram shows a typical converter stage. All that is necessary to lower the oscillator output is to shunt a resistor across the secondary of the oscillator transformer. Use the highest value of resistance that causes the birdies to disappear. In one particularly troublesome receiver, a value as low as 220 ohms was required. Touch up the oscillator adjustments after installing the resistor.—*Irwin Math*

ZENITH 29JC20 CHASSIS

Complaint: Severe multiple ghosts in b-w and color broadcasts.

Remedy: If symptoms are present on all active channels, check the termination potentiometer at the ground end of the delay line. You can expect these symptoms if the pot opens up although an open delay line will cause the same trouble.—*Jim Wilhelm*

R-E



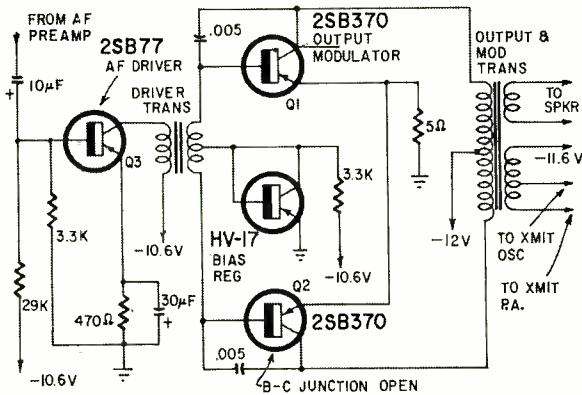
I Think My Rotor Is Frozen . . .

CB Troubleshooter's Casebook

Compiled by
Andrew J. Mueller*

Case 1: Distorted and low modulation. Receive function distorts at medium volume.

Common to: Lincoln L-2542

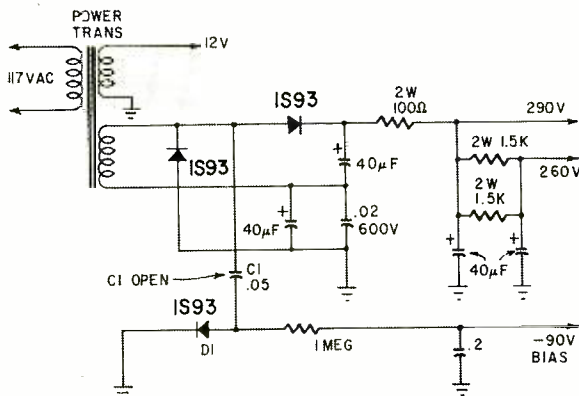


Remedy: Replace transistor Q2.

Reasoning: When Q2 opens, only half of the push-pull output stage operates. This causes distortion at moderate volume levels. Under transmit conditions, the distortion is worse because extra power is needed to fully modulate the power amplifier. If possible, replace both Q1 and Q2 to insure proper balance of the modulator stage. This will keep distortion to a minimum.

Case 2: No squelch. Transmit and receive functions are ok.

Common to: Lafayette Comsat 19

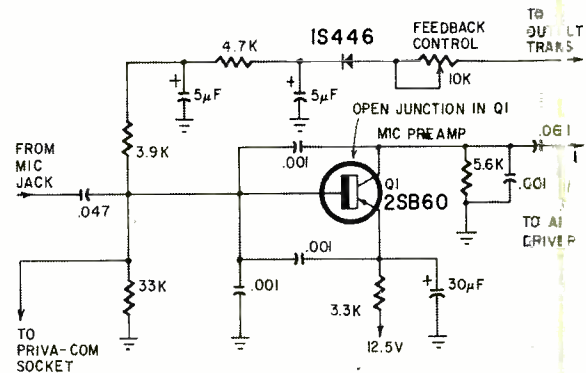


Remedy: Replace capacitor C1.

Reasoning: When C1 opens, it presents an extremely high resistance to ac. Since C1 is in series with D1, the bias rectifier, only a very small dc voltage is developed across D1. Therefore, not enough bias is developed. This bias is used to cut off the squelch tube when the squelch control is advanced.

Case 3: Intermittent modulation. Receive function is ok.

Common to: Lafayette HB-525A.



Remedy: Replace transistor Q1.

Reasoning: In this case Q1 has an intermittent base-collector junction. This causes improper operation of the microphone preamplifier stage. Transistor Q1 was suspected after the mike cartridge, cord and mike plug were thoroughly checked. Voltage measurements verified the trouble when the unit failed.

R-E

COMING IN MARCH

Ins and outs of hi-fi crossovers for speaker systems. Two experts present their cases for electronic crossovers, mechanical crossovers and no crossover at all.

FREE

GIANT 1969 RADIO-TV ELECTRONICS CATALOG



228 GIANT VALUE-
PACKED PAGES

YOUR BUYING GUIDE FOR...
TV's, Radios, Recorders, Phonos,
Amateur and CB equipment, elec-
tronic parts, tubes and test equip-
ment... plus featuring B-A's
famous bargain packed section!

WRITE FOR YOUR FREE CATALOG TODAY!

BURSTEIN-APPLEBEE CO., Dept. RE-B
3199 MERCIER ST., KANSAS CITY, MO. 64111

Name _____
Address _____
City _____
State _____ Zip Code _____

Circle 41 on reader service card

*Service Manager, Tel-Air Communications, Inc., Pewaukee, Wis.

RADIO-ELECTRONICS READER SERVICE

Here's how you can get manufacturers' literature fast:

1. Tear out the post card on the facing page. Clearly print or type your name and address. **Include zip code!**
2. Circle the number on the card that corresponds to the number appearing at the bottom of the **New Products, New Literature or Equipment Report** in which you are interested.
For literature on products **advertised** in this issue, circle the number on the card that corresponds to the number appearing at the bottom of the advertisement in which you are interested. Use the convenient index below to locate quickly a particular advertisement.
3. Mail the card to us (no postage required in U.S.A.)

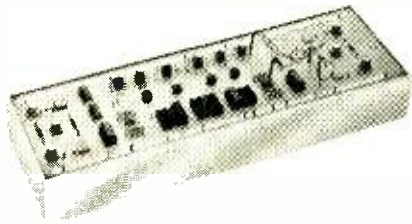
ALLIED RADIO CORPORATION (p. 85)	Circle 36
ARROW FASTENER COMPANY, INC. (p. 86)	Circle 111
ARCTURUS ELECTRONICS CORPORATION (p. 98)	Circle 130
BELL P/A PRODUCTS CORPORATION (p. 82)	Circle 107
B & K MANUFACTURING COMPANY (Division of Dynascan Corporation) (p. 73)	Circle 29
BROOKS RADIO AND TV CORPORATION (p. 94-95)	Circle 123
BURSTEIN-APPLEBEE (p. 77)	Circle 41
CARINGELLA ELECTRONICS, INC. (p. 72)	Circle 33
CASTLE TV TUNER SERVICE, INC. (p. 85)	Circle 37
CLEVELAND INSTITUTE OF ELECTRONICS (p. 28-31)	Circle 26
(Slide Rule) (p. 16)	Circle 21
CORNELL ELECTRONICS COMPANY (p. 100)	Circle 134
DELTA PRODUCTS, INC. (p. 13)	Circle 16
DELTA PRODUCTS, INC. (p. 17)	Circle 22
DELTA PRODUCTS, INC. (p. 93)	Circle 118
EDMUND SCIENTIFIC COMPANY (p. 99)	Circle 131
ENTERPRISE DEVELOPMENT CORPORATION (p. 95)	Circle 121
FAIR RADIO SALES (p. 97)	Circle 127
GAVIN INSTRUMENTS, INC. (Subsidiary of Advance Ross Corporation) (p. 97)	Circle 128
GC ELECTRONICS COMPANY (p. 74)	Circle 110
GRANTHAM SCHOOL OF ELECTRONICS (p. 1)	Circle 9

HEALD COLLEGES (p. 87)	Circle 113
HEATH COMPANY (p. 88-91)	Circle 114
INTERNATIONAL CRYSTAL MFG. COMPANY (p. 102)	Circle 148
INTERNATIONAL TEXTBOOK COMPANY (p. 7)	Circle 12
JFD ELECTRONICS CORPORATION (p. 15)	Circle 19
KENWOOD (p. 27)	Circle 25
LAFAYETTE RADIO ELECTRONICS (p. 81)	Circle 106
MALLORY DISTRIBUTOR COMPANY (Distributor Sales Division) (p. 5)	Circle 10
MOSLEY ELECTRONICS, INC. (p. 12)	Circle 14
MULTICORE SALES CORPORATION (p. 96)	Circle 125
MUSIC ASSOCIATED (p. 87)	Circle 112
MYRIAD PRODUCTS CORPORATION (p. 94)	Circle 120
OAKTRON (p. 14)	Circle 18
OLSON ELECTRONICS, INC. (p. 72)	Circle 32
PENNWOOD NUMECHRON COMPANY (p. 93)	Circle 116
POLY PAKS (p. 101)	Circle 135
QUAM-NICHOLS COMPANY (p. 92)	Circle 109
QUIETROL COMPANY (p. 96)	Circle 126
READING IMPROVEMENT PROGRAM (p. 95)	Circle 122
RYE INDUSTRIES, INC. (p. 16)	Circle 20
SAMS AND COMPANY, INC., HOWARD W. (p. 83)	Circle 108
SCHOBER ORGAN (p. 72)	Circle 34
SENCORE (p. 22)	Circle 24
SHURE BROS. (p. 71)	Circle 31
SHURE BROS. (p. 73)	Circle 35
SHURE BROS. (p. 75)	Circle 40
SOLID STATE SALES (p. 99)	Circle 132
SONY CORPORATION OF AMERICA (Cover III)	Circle 149
SONAR RADIO CORPORATION (p. 14)	Circle 17
SYLVANIA (Subsidiary of General Telephone & Electronics) (Cover II)	Circle 8
TV TECH AIDS (p. 93)	Circle 117
WARREN ELECTRONIC COMPONENTS (p. 100)	Circle 133
YEATS APPLIANCE DOLLY SALES (p. 12)	Circle 15
XCELITE, INC. (p. 92)	Circle 115

NEW PRODUCTS

More information on new products is available from the manufacturers of items identified by a Reader Service number. Use the Reader Service Card at the left and circle the numbers of the new products on which you would like further information. Detach and mail the postage-paid card.

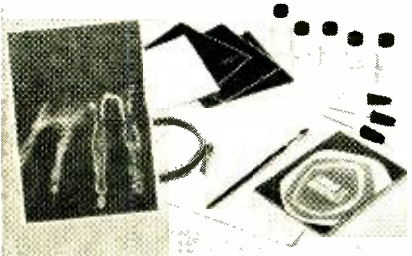
IC KIT, 29X, provides easy interconnecting of nearly all configurations of IC's for experimenters. Included are T42-1 push-in Micro Klip, K24C pins, 14- and 16-pin D.I.P. sockets with wire-wrap tabs. Cir-



cular lead TO-5 type IC's are mounted on the rectangular grid with adapter wafers or sockets. Flat-packs with 0.05" spaced leads are adapted with wafers which plug into the main breadboard. \$50 to \$60, depending on quantities.—Vector Electronic Co. Inc.

Circle 46 on reader service card

LIQUID CRYSTALS KIT includes 15-ml bottles of 3 liquid crystal solutions appearing like liquids with molecular structures similar to solid crystals. Also 15 ml



of undercoat paint, 3 droppers, four 5" x 5" plastic sheets, 4" hoop, artist brush, mixing bottle, mixing guide, booklet and sets of experiments and instructions. \$19.50.—Edmund Scientific Co.

Circle 47 on reader service card

FM STEREO TUNER, Model 312D, solid-state, with 3 FET's in front end and integrated-circuit i.f. strip. Features

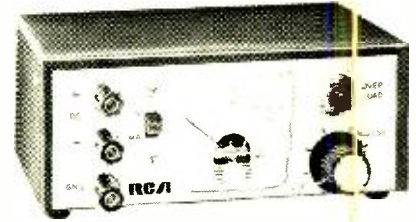


include a Comparatron circuit for silent automatic stereo switching; interstation muting control; front-panel output for direct tape recording without using a

separate amplifier; ultra-wide-band FM detector circuit for minimal distortion. Sensitivity, 1.7 μ V; capture ratio, 1.9 dB; cross-modulation rejection, 90 dB; selectivity, 46 dB; stereo separation, 40 dB. \$319.95.—H. H. Scott Inc.

Circle 48 on reader service card

DC POWER SUPPLIES. Beta C-type solid-state regulated output, WL-700A (\$48), single unit, and WP-702A (\$87),



dual unit, are intended for circuit design, servicing, industrial and educational ap-

FREE!



BRAND NEW EDITION
1969 Catalog 690

Serving The Public
Since 1920

Featuring Everything in Electronics for
• HOME • INDUSTRY • LABORATORY
from the "World's Hi-Fi & Electronics Center"



Over 500 Pages

- Electronic Parts...Tube... Tools
- Citizens Band Equipment
- PA Equipment
- Test Instruments
- Closed Circuit TV
- Stereo Hi-Fi Systems & Components
- Tape Recorders
- Amateur Radio Equipment
- Radio & TV Sets & Accessories
- Cameras & Supplies
- Books

LAFAYETTE RADIO ELECTRONICS

Dept. 17029

SYOSSET, L.I., N.Y. 11791

Send For **FREE**
1969 Catalog
TODAY!

Send **FREE** 1969 Catalog 690 Dept. 17029

Name.....

Address.....

City.....State.....Zip.....

Circle 106 on reader service card



watts-ville!

**New BELL P/A
MODULAR AMP line
has 20, 45, 90
and 200W output
—RMS ratings**

*Man, what a power output range!
And what a variety of input
configurations . . . practically
unlimited . . . with up to 8 input
modules arrangeable in any
combination (even with separate
muting and limiting functions!)*

The only p.a. amps with FET's
up front for true Hi Z input (or
bal. lo Z with trans.). All silicon
solid state design.

Exclusive, fully automatic
output circuit protection saves
time, labor, components . . .
eliminates guesswork. *See your
local electronics distributor,
or send for full specs.*

BELL pia

professional appeal

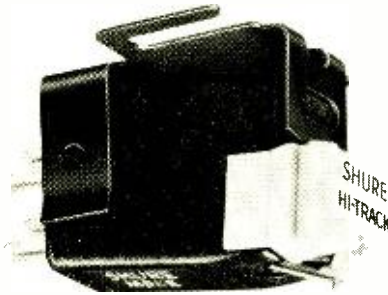
BELL P/A PRODUCTS CORPORATION
1209 North Fifth St., Columbus, Ohio 43201

Circle 107 on reader service card

plications. Adjustable from 0–20 V at current levels to 200 mA. Circuit automatically limits overload current to prevent damage to power supply. Silicon transistors and diodes are used throughout. Three 5-way output terminals; +dc, –dc and GND as well as a 3-wire ac power cord are provided.—RCA Electronic Components

Circle 49 on reader service card

STEREO MAGNETIC CARTRIDGES, three models, *M91E* (illus.) for auto turntables and *M92E* for manual/auto turntables track at $\frac{3}{4}$ –1½ grams and are equipped with a 0.0002" x 0.0007" bi-



radial elliptical diamond stylus. *M93E* tracks in the 1½–3-gram range with a 0.0004" x 0.0007" stylus. All units under \$50 feature an easy-mount design with a retaining clip which snaps into the pickup arm head.—Shure Brothers Inc.

Circle 50 on reader service card

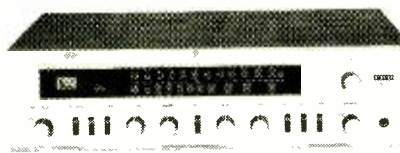
LOCK-A-PLUG prevents theft or unauthorized use of any piece of electrical equipment. Locks onto the prongs of an electric plug to prevent inserting it



into an outlet. Lock releases when built-in combination dials are set to their correct positions and release button is depressed. \$2.50.—Efston Mfg. Co. Ltd.

Circle 51 on reader service card

CORTINA STEREO LINE includes three solid-state units. *Sound N'Color*, *Model 3440* synchronizes sound with



color. Connects to any 3.2- to 5-ohm audio line. Features adjustable color crossover

frequencies, silicon solid-state lamp drivers and 9 low-voltage high-intensity colored lamps. Transformer-operated and fused for perfect safety. Two stereo receivers: *Model 3770*, AM/FM, and *Model 3570*, FM, have 70-watt output with pre-assembled and pre-aligned front ends, multiplex and i.f. circuits. All available in both kit (\$49.95–\$189.95) and factory-assembled form (\$79.95–\$279.95).—Eico Electronic Instrument Co. Inc.

Circle 52 on reader service card

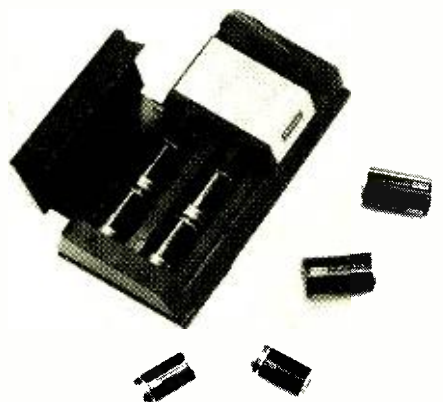
TRAN-SUB provides a transistor, diode or 3.58-MHz crystal of each basic type for substitution in a circuit where the semiconductor is in doubt, or for experimenting with new circuits. RCA replacement book can be referred to for selecting type of transistor as the num-



bers on the front panel are the last two digits of the RCA SK series replacement transistors. Emitter, base and collector clip leads are specially shielded Teflon to minimize test-lead effect on circuits.—TV Laboratories Inc.

Circle 53 on reader service card

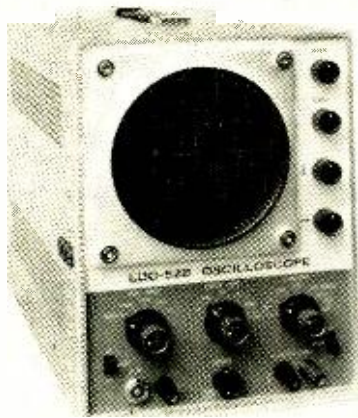
BATTERY CHARGER, *Model BC-15*, designed for use with Duracell rechargeable alkaline batteries, sizes D, C and AA (penlight). Batteries can be re-



charged 100 times. Unit operates on 110 Vac and can charge either 2 or 4 batteries in any pair combination, simultaneously.—P. R. Mallory & Co. Inc.

Circle 54 on reader service card

OSCILLOSCOPE, *Model LBO-52B*, with 5" screen unit has a bandwidth from dc to 10 MHz and features hybrid circuitry and 10 mv/cm sensitivity. Linear wide-sweep range has auto synchronization.



Vertical and horizontal inputs are direct-coupled to push-pull amplifiers. Unit provides vector pattern display for color TV circuits. \$199.—Leader Instruments Corp.

Circle 55 on reader service card



TUNER CLEANER, Tun-O-Wash "washes" all types of TV tuners. Removes dirt and normal corrosion accumulations. Harmless to plastics, fast drying, leaves no residue. Comes with a spray nozzle attachment.—Chemtronics Inc.

Circle 56 on reader service card

CONDUCTIVE EPOXY SOLDER AC-2 is a modified resin system, 80% silver-filled. Cures in 3½ hours. Has excellent thermal and electrical conductivity, high



shear and tensile strength and may be electroplated. Use as a coating and a conductive in semiconductor, printed circuit and microminiature applications.—Kenics Corp.

Circle 57 on reader service card

DIODE/TRANSISTOR CHECKER, Model DT-100, is low-current device for testing transistors or diodes. Diodes are checked by touching leads to the binding posts on the checker. Transistors are

BEST SELLING SAMS BOOKS FOR THE SERVICE TECHNICIAN

Color-TV Servicing Guide

Shows how to apply fast troubleshooting procedures, based on analysis of trouble symptoms. Includes many full-color picture tube photos showing various operating troubles; clearly explains how to diagnose trouble causes; gives proper repair procedures. Order 20358, only.....\$4.25

Color-TV Servicing Made Easy

Full explanation of color principles, circuitry, setup adjustments, and servicing of all color-TV sets. Takes the mystery out of servicing all types of color-TV receivers.

Vol. 1. Full data on all major color-TV receivers from 1957-1964. Order 20135, only.....\$3.95

Vol. 2. Brings you up-to-date on new circuitry and models. Order 20523, only.....\$4.95

Color-TV Training Manual. 2nd Ed.

Ideal guide for technicians preparing to service color-TV. Includes detailed explanation of color principles, circuits, setup procedures, alignment, and troubleshooting; full-color picture-tube illustrations. Order 20472, only.....\$6.95

Color-TV Trouble Clues

Field-tested guide describing types of troubles likely to be encountered, troubleshooting procedures, and proper use of test equipment to speed color-TV servicing.

Vol. 1. Covers color-TV receivers of all makes. Order 20120, only.....\$2.50

Vol. 2. Color-TV servicing know-how on latest models. Order 20121, only.....\$2.95

TV Servicing Guide

Tells you how to apply proper troubleshooting procedures based on analysis of symptoms, illustrated by picture tube photos. Packed with servicing hints and short cuts. Order 20361, only.....\$3.25

TV Servicing Made Easy

Shows how to solve the tougher types of troubles. Based on actual bench experience; explains how to diagnose and repair troubles most likely to be encountered in every type of circuit. Order 20365, only.....\$3.95

Practical Transistor Servicing. 2nd Ed.

Provides fastest, most direct methods for troubleshooting all types of transistorized equipment, including FM and auto radios. Order 20314, only.....\$4.25

NEW 12TH EDITION OF THE FAMOUS

TUBE SUBSTITUTION HANDBOOK

Lists over 12,000 direct substitutions. A complete guide to substitutions for receiving, picture tube, miniature, industrial, and communications types; includes foreign tubes. Tells how and when to make proper substitutions.

Order 20701, Twin-Pak (regular size for bench use, pocket-size for caddy) both for only.....\$2.25

Order 20700, shop edition, only.....\$1.75

Television Service Training Manual. 2nd Ed.

Updated and expanded to include new TV servicing short cuts and tests. Shows how to use test points to isolate trouble to specific components, in both tube and transistor receivers. Treats all sections of the TV receiver, packed with schematics, charts, and drawings. Provides you with quick, sure-fire analysis and repair procedures. Order 20628, only.....\$4.95

Photofact® Television Course. 3rd Ed.

Updated edition of this famous course which is a complete study of black-and-white TV theory and circuitry; includes transistor circuits. An effective and comprehensive self-study course. Order 20595, only.....\$4.95

Photofact® Guide to TV Troubles. 2nd Ed.

Over 200 photos of actual TV picture defects are keyed to specific faulty components in typical circuits, so you can locate the trouble source in minutes. Order 20521, only.....\$6.50

Bench Servicing Made Easy. 2nd Ed.

Provides a step-by-step guide to the location of defective components in any TV circuit; information comes directly from workbench experience. Order 20658, only.....\$3.95

Transistor Color-TV Servicing Guide

Shows you how to apply correct troubleshooting procedures based on analysis of trouble symptoms. Includes many photos, circuit diagrams, charts, and tube and waveform photographs. Order 20693, only.....\$1.50

AM-FM-TV Alignment

Here is all you need to know about alignment of all radio and tv sets. Includes chapter on audio amplifier frequency-response checks. Order 20602, only.....\$1.95

OUTSTANDING BOOKS ON TEST EQUIPMENT

Know Your Oscilloscope. 2nd Ed.

Describes latest use of scopes for servicing and observing circuit action. Includes new data on transistorized scope circuitry, triggered-sweep, and dual-trace scopes. Order 20549, only.....\$3.50

Know Your Tube and Transistor Testers

Explains principles and circuits used in typical testers; provides troubleshooting data for repair of various makes of instruments. Order 20630, only.....\$3.50

Using Scopes in Transistor Circuits

Tells when and how to use oscilloscopes to analyze and/or troubleshoot transistor circuits of all types. Order 20662, only.....\$4.50

Know Your Color-TV Test Equipment

Explains clearly and easily the function and circuit action of each color-TV test instrument. Gives setup information, service and calibration data. Order 20256, only.....\$3.50

Troubleshooting with the Oscilloscope

Shows practical use of the scope to isolate circuit troubles. Tells how to setup for tests, how to use probes, how to interpret waveforms, how to troubleshoot. Order 20550, only.....\$1.50

Understanding Electronic Test Equipment. 2nd Ed.

Fully explains operating principles, functions, and applications of instruments most commonly used in troubleshooting and testing. Includes solid-state equipment. Order 20613, only.....\$4.25

Know Your Signal Generators

Order 20255, only.....\$1.25

Know Your Sweep Generators

Order 20593, only.....\$1.50

Know Your Color-TV Test Equipment

Order 20256, only.....\$3.50

Troubleshooting with the VOM/VTVM

Order 20481, only.....\$1.95

HOWARD W. SAMS & CO., INC.

Order from any Electronic Parts Distributor, or mail to Howard W. Sams & Co., Inc., Dept. RE-2, 4300 W. 62nd St., Indianapolis, Ind. 46268

Send books checked at right. \$_____enclosed.

Send FREE 1969 Sams Book Catalog

Name _____
PLEASE PRINT

Address _____

City _____ State _____ Zip _____

- | | | |
|--------------------------------|--------------------------------|--------------------------------|
| <input type="checkbox"/> 20358 | <input type="checkbox"/> 20701 | <input type="checkbox"/> 20630 |
| <input type="checkbox"/> 20135 | <input type="checkbox"/> 20700 | <input type="checkbox"/> 20550 |
| <input type="checkbox"/> 20523 | <input type="checkbox"/> 20628 | <input type="checkbox"/> 20613 |
| <input type="checkbox"/> 20472 | <input type="checkbox"/> 20521 | <input type="checkbox"/> 20662 |
| <input type="checkbox"/> 20120 | <input type="checkbox"/> 20595 | <input type="checkbox"/> 20256 |
| <input type="checkbox"/> 20121 | <input type="checkbox"/> 20658 | <input type="checkbox"/> 20255 |
| <input type="checkbox"/> 20361 | <input type="checkbox"/> 20693 | <input type="checkbox"/> 20593 |
| <input type="checkbox"/> 20365 | <input type="checkbox"/> 20602 | <input type="checkbox"/> 20256 |
| <input type="checkbox"/> 20314 | <input type="checkbox"/> 20549 | <input type="checkbox"/> 20481 |

Circle 108 on reader service card

**This new E-V
phono needle
package helps you
buy, sell,
then sell
again!**



E-V On every new E-V needle package you'll find the model number printed three extra times on pressure sensitive tabs. Here's why:

The tabs can help you order replacements. Or keep track of sales. Or you can stick one on a file card in a follow-up system that tells you what and when a customer last bought (so that you can tell him when to buy again)! Or put a tab on the customer's tone arm to simplify service on the next call.

But don't be surprised if one of the tabs is missing. Your E-V distributor may be using one to keep track of his stock —so that you always have the needle you want, when you want it.

Smart ideas in packaging of the world's finest phono service parts help make Electro-Voice your best buy. Available only from the parts distributor with much more than parts to offer!

Ask for your copy of the latest Electro-Voice phono needle/cartridge combined catalog. It's free at your E-V distributor's.

ELECTRO-VOICE, INC., Dept. 297E
613 Cecil Street, Buchanan, Michigan 49107

Electro-Voice[®]

A SUBSIDIARY OF GULTON INDUSTRIES, INC.



checked by clipping one test lead to the base and the other lead to the emitter and then to the collector. Lit indicator lamp indicates good condition. \$14.95.—Texscan, Technical Products Div.

Circle 58 on reader service card

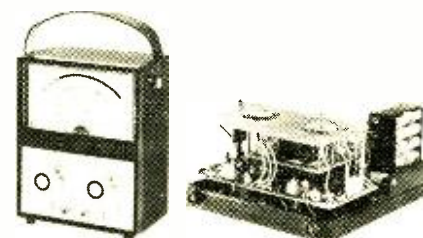
2-WAY SPEAKER SYSTEM, Model CS-5, 25 watts, has a smooth transient response and covers a frequency range of 35 to 20,000 Hz. Woofer uses special



cloth surround for greater compliance. Long-throw voice coil for improved bass. Cone type tweeter. Housed in walnut cabinet with removable grille. \$59.—Pioneer Electronics U.S.A. Corp.

Circle 59 on reader service card

FET-VOM, Model 3000, bridges the gap between a multimeter and a digital voltmeter. Accurate within 2% for dc volts and dc amperes; 3% for ac volts; 5% accuracy for resistance scales from 10%–90% of scale. Input impedance; 10 meg-



ohms. 6½" x 8" x 3½"; weighs 3½ lb. Unit features a mirror scale D'Arsonval meter, enclosed switches, protective voltage clippers and input stage with current regulator, 10-turn pots for accurate zero set and ohms adjust calibration. \$74.95 assembled, \$59.95 kit.—Delta Products Inc.

Circle 60 on reader service card



REPLACEMENT TV ANTENNA ELEMENTS come in two types: 4- and 5-section units. Both extend to 38" and provide a size and style to match the majority of indoor TV antennas in use. Supplied with a retainer screw and complete mounting instructions.—Audiotex-Home Electronics

Circle 61 on reader service card

MILLIOHM ATTACHMENT, Model 870-3, features near complete negation of normal in-circuit lead resistance and measures resistances under 1 ohm. Voltmeter is switched to 0.1-Vdc range and zero-adjusted in normal manner before



adapter cable is connected to input. With test leads unshorted, "test" button is depressed and unit simultaneously adjusted for full-scale deflection. To read 0–1-ohm resistance value, observe deflection and divide by 10.—Amphenol Distributor Div.

Circle 62 on reader service card

STEREO HEADPHONE, Model F-880, a deluxe version of Model F-770, fea-



tures 2 ½" hi-fi dynamic speakers surrounded by foam rubber. Air-cushioned ear pads. Frequency response: 25–15,-

RADIO-ELECTRONICS

000 Hz. Impedance: 8 ohms. Signal power: 500 mw. Comes with 5' cord and standard 3/4" phone plug. Unit weighs 1 1/2 lb. \$17.95.—Lafayette Radio Electronics Corp.

Circle 63 on reader service card



TAPE HEAD CLEANER No. 10-620 removes dirt, film and oxide buildup from audio and video magnetic-tape heads, guides and film gates. Nontoxic, non-conductive, nonflammable. Chemical will not interfere with transmission and may be applied on running tape. A 16-oz aerosol can with a 6" spray extension, \$2.35.—GC Electronics

Circle 64 on reader service card

DYNAMIC MICROPHONE, Model 38-175, unidirectional, eliminates wind noise and controls feedback. Dual impedance, 600K and 50K ohms, 100 to 12,000 Hz.



Brushed aluminum finish; on-off switch. With 20' of cable, standard phone plug and swivel mike-stand connector. \$13.95.—AMD Electronics

Circle 65 on reader service card

AM/FM STEREO RECEIVER, Model 800, 70 watts, includes FET, 3-gang variable-capacitor front end, 4 i.f. stages and 3 limiters. Frequency response, 15-50,000 Hz; power bandwidth, 20-40,000



Hz. 2 sets of output speaker terminals and a 4-way front-panel speaker selector switch. Ac outlet for powering other components. \$259.95.—Sansui Electronics Corp.

Circle 66 on reader service card

TWO-WAY RADIO, IMP II, solid-state, for base or mobile-station use. Also acts as a mobile public-address system. Operates on channels between 27.5-42.98 MHz. Requires 117 Vac at fixed locations; power consumption is 4 watts receiving and 15 watts transmitting. Battery drain from a 12-V vehicular electrical system is less than 1/2 A receiving and 1 A

COMPLETE TUNER OVERHAUL

995

ALL LABOR AND PARTS
(EXCEPT TUBES & TRANSISTORS)*

VHF UHF COLOR U-V TRANSISTOR

COLOR TUNERS GUARANTEED COLOR ALIGNMENT — NO ADDITIONAL CHARGE

Simply send us the defective tuner complete; include tubes, shield cover and any damaged parts with model number and complaint. Your tuner will be expertly overhauled and returned promptly, performance restored, aligned to original standards and warranted for 90 days. UV combination tuner must be single chassis type; dismantle tandem UHF and VHF tuners and send in the defective unit only. Exact Replacements are available for tuners unfit for overhaul. As low as \$12.95 exchange. (Replacements are new or rebuilt.)

And remember—for over a decade Castle has been the leader in this specialized field... your assurance of the best in TV tuner overhauling.

CASTLE
TV TUNER SERVICE, INC.

5715 N. Western Ave., Chicago 45, Illinois
41-96 Vernon Blvd., Long Island City 1, N. Y.

For service in Canada write to Chicago or use reader service card in this magazine.
*Major parts are charged extra in Canada.

Circle 37 on reader service card

FREE!

ALLIED ELECTRONICS FOR EVERYONE 1969

NEW 1969 ALLIED CATALOG

536 PAGES

SAVE ON:

- Electronic & Hobby Kits
- Stereo Hi-Fi
- Tape Recorders, Tape
- CB 2-Way Radios
- Walkie-Talkies
- FM-AM & AM Radios
- Shortwave Receivers
- Portable TV
- Phonographs
- Amateur Gear
- Intercoms & PA
- Automotive Electronics
- Test Instruments
- TV Antennas & Tubes
- Power Tools, Handwired
- Tubes, Transistors
- Parts, Batteries, Books

TOP SAVINGS ON THE BEST IN ELECTRONICS FOR EVERYONE

Shop by mail and save at Allied, world's largest electronics headquarters. Hundreds of money-saving values. **NO MONEY DOWN.** Up to 2 years to pay!

MAIL COUPON BELOW

ALLIED RADIO, Dept. 051
P.O. Box 4398, Chicago, Ill. 60680

NAME _____
First Middle Last

ADDRESS _____

CITY _____

STATE _____ ZIP _____

Circle 36 on reader service card

NO COMPETITORS
Nobody else but **EMC** designs in so much value



Compact, light-weight portability. Use it on the bench or in the field.

Full-view meter gives direct, clear-cut quality indications.

Three heavy-duty controls for quick set-up of all tests. Check a fistful of tubes in the time it often takes to test one.

12 slide switches for individual selection of tube pins provides versatility in testing. Prevents obsolescence.

Full complement of sturdy sockets accepts compact on (12-pin), resistor, novar, 10-pin, 9-pin, octal, local, and miniature tubes.

Precise programming. Only one socket per tube-base configuration prevents accidental plug-in.

THE MODEL 213 saves you time, energy, money ■ Checks for shorts, leakage, intermittents, and quality ■ Tests all tube types including magic eye, regulator, and hi-fi tubes ■ Checks each section of multi-purpose tubes separately ■ Gives long, trouble-free life through heavy-duty components, including permanently etched panel ■ Keeps you up to date with FREE, periodic listings on new tubes as they come out ■ Your best dollar value in a tube tester. Available in high-impact bakelite case with strap: \$31.40 wired; \$20.40 in kit form. Wood carrying case (illustrated) slightly higher.

EMC

ELECTRONIC MEASUREMENTS CORPORATION
625 Broadway, New York 12, New York
Export: Pan-Mar Corp., 1270 Bway, N. Y. 1, N. Y.

EMC, 625 Broadway, New York 12, N. Y.
Rush me FREE catalog describing all EMC value-loaded test instruments and name of local distributor.

NAME _____

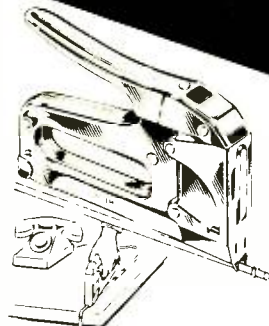
ADDRESS _____

CITY _____ ZONE _____ STATE _____

ARROW

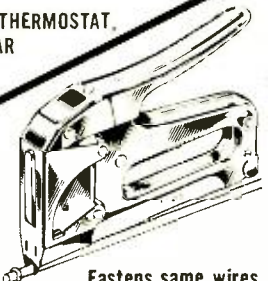
Automatic
STAPLE GUN TACKERS

Specially designed for
SAFE — FAST — SECURE
WIRE & CABLE FASTENING



No. T-18
For wires up to
3/16" in dia.
Uses round crown
staples in
3/8" leg only.

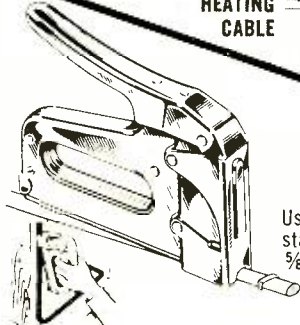
BELL, TELEPHONE, THERMOSTAT,
INTERCOM, BURGLAR
ALARM and other
low voltage
wiring.



No. T-25
For wires up to
1/4" in dia.
Uses round crown
staples in 9/32",
3/8", 7/16", and
9/16" leg.

Fastens same wires
as No. T-18

Also
used for
RADIANT
HEATING
CABLE



No. T-75
For wires and
cables up to
1/2" in dia.
Uses tack-pointed
staples in 9/16",
3/8" and 7/8" leg.

SHEATHED CABLE, RADIANT
HEATING CABLE, WIRE
CONDUIT, COPPER
TUBING, DRIVE
RINGS, ETC.

- All-steel, chrome finish.
- Jam-proof mechanism for trouble-free operation

SAFE! Driving blade automatically halts staple at right depth of penetration! Can't cut or injure wires and cables.

FAST! Powerful single stroke action shoots staples in 1/1000 of a second! Saves 70% in time, effort and efficiency!

HOLDS! Staple points diverge to imbed firmly in wood. Rosin-coated for tremendous holding power!

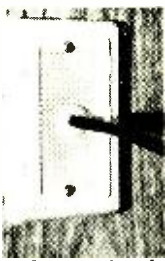
Write for catalog and information.

ARROW FASTENER COMPANY INC
Saddle Brook, New Jersey 07863
"Pioneers and Pacesetters
For Almost A Half Century"



transmitting. Sensitivity: better than 1 mV for 10 dB; signal-to-noise and audio power output: 3 watts nominal; modulation: to 100%.—Kaar Electronics Corp.

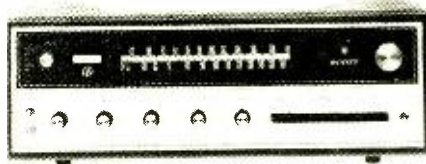
Circle 67 on reader service card



FEED-THROUGH WALL PLATES adapt to any installation not requiring a connection at the wall. Useful for multi-unit MATV-CATV systems, provide a single hole versatile enough to accept TV coax, telephone line, audio speaker line, rotor lead-in or wires up to 3/8" OD. Model M-1 comes with mounting screws and Model MIPK, with F9 mounting brackets.—Mosley Electronics Inc.

Circle 68 on reader service card

120-WATT STEREO RECEIVERS, two models: 348B, FM, \$499.95; 388B, AM/FM, \$539.95. Both have FET front ends with 3 FETs and an integrated-circuit



i.f. Sensitivity, 1.7 V; cross-modulation rejection, 90 dB; capture ratio, 1.9 dB; frequency response, 15-30 kHz, selectivity, 46 dB; tuner stereo separation, 40 dB.—H. H. Scott Inc.

Circle 69 on reader service card

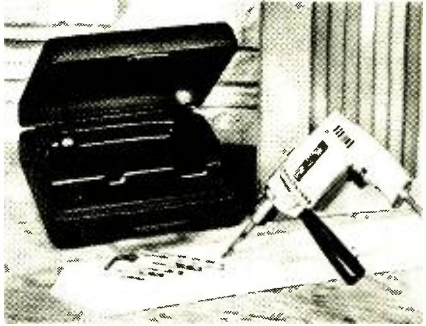
CASSETTE SYSTEMS, 3 models. Micro 90 playback deck plays both sides of up to 6 cassettes automatically in se-



quence. Deck connects to any amplifier, \$129. Similar is Micro 95 which includes two speakers powered by a 20-watt amplifier, \$269. Micro 88, portable, provides music through 2 slide-on speakers, \$199. Included with the last two units are 2 omnidirectional mikes and a record level VU meter for monitoring mike and line inputs.—Ampex Corp.

Circle 70 on reader service card

11-PIECE DRILL KIT, Model 820K11, consists of drill Model 820, 6 drill bits from 1/16" to 3/8", fitted carrying case with handle, 3-wire 6' cord and adapter, 3/8" geared chuck with key. Drill, in die-cast aluminum, measures 9" x 7 1/4" x 2 1/2" with chuck, comes with a 3.2 A 115-Vac high-torque 1100 RPM motor.



Needle bearings at heavy load points; ball-thrust spindle bearing and gear train. Kit also includes a machine-gun-grip auxiliary handle which has a locking trigger with safety release, positioned directly forward of the motor housing. \$37.45.—Wen Products Inc.

Circle 71 on reader service card

METAL FINDER, Model ML-11, uses a standard 9-volt transistor radio battery in a 2" x 4" plastic case. Simple to use: just turn the knob until the meter reads upscale. When metal is located, meter



drops. Useful for professional and amateur electric equipment installers for finding studs and joists, plumbing, electrical boxes, heat ducts, nails and conduit. \$32.50.—G S Electronics Co. R-E

Circle 72 on reader service card

NEW LITERATURE

All booklets, catalogs, charts, data sheets and other literature listed here with a Reader's Service number are free for the asking. Turn to the Reader Service Card facing page 78 and circle the numbers of the items you want. Then detach and mail the card. No postage required!

INTEGRATED CIRCUIT APPLICATION NOTE for Audio Driver Amplifier Model MIC 0201, for entertainment products and industrial communications equipment is featured with diagrams and equations in a 8-page booklet, Form #15-4. Circuits, 1-6 watts, are for stereo tape players and mobile communication equipment.—P. R. Mallory & Co. Inc.

Circle 79 on reader service card

IC CROSS-REFERENCE GUIDE, 20 pages, pocket size booklet. Provides easy comparison of the company's entire spectrum of circuit configurations with that of five other major manufacturers of the same line of devices.—Sylvania Electric Products Inc.

Circle 80 on reader service card

IC POCKET DICTIONARY, 18 pages, contains a glossary of more than 100 IC and IC-related terms. Dictionary also includes appendix of standardizations of input, output and switching definitions.—Sylvania Electric Products Inc.

Circle 81 on reader service card

COAX ACCESSORIES for 75-ohm BC 6/U uht/vhf color/black-and-white TV are introduced with photos in 4-page Catalog #T-401. Designed to maintain high-Q and minimum attenuation, with high isolation and low insertion loss, devices are simple to install. Description includes six antenna coax models, 2 transformers, 2 splitters plus Roof/Thru/Wall-Thru Model M-60.—Mosley Electronics Inc.

Circle 82 on reader service card

ENJOY THE "MUSIC ONLY" FM PROGRAMS

M. A. D.

MUSIC ASSOCIATED'S DETECTOR
NO COMMERCIALS—NO INTERRUPTIONS



It's easy! Just plug Music Associated's Sub Carrier Detector into multiplex jack of your FM tuner or easily wire into discriminator. Tune through your FM dial and hear programs of continuous commercial-free music you are now missing. The Detector, self-powered and with electronic mute for quieting between selections, permits reception of popular background music programs no longer sent by wire but transmitted as hidden programs on the FM broadcast band from coast to coast. Use with any FM tuner. Size: 5½" x 9". Shipping weight approx. 7 lbs.

KIT \$49.50
(with pre-tuned coils, no alignment necessary)

WIRED \$75.00 (Covers extra \$4.95 ea.)

Current list of FM Broadcast stations with SCA authorization \$1.00

MUSIC ASSOCIATED

65 Glenwood Road, Upper Montclair, N. J.
Phone: (201)-744-3387 07043

Circle 112 on reader service card

TUBE ANALYZER, Model 3444-A, is described in a 2-page data sheet which provides specs, and lists 23 closely regulated ac filament voltages, complete ranges, available accessories, price, adapter. Suggests primary areas of application in solving tube analysis problems.—The Triplett Electrical Instrument Co.

Circle 83 on reader service card

HI-FI PRODUCTS constituting the new Jensen speaker systems are illustrated in 20-page Catalog #165-P. Line includes Sigma, Delta and Triaxial Series of coaxial and triaxial speakers plus complete series of component speakers, accessories and the HS-2 Stereo headphones.—Jensen Mfg. Div.

Circle 84 on reader service card

PHONO CARTRIDGES, Easy-Mount and others, plus tone arms, styli and headphone amplifiers are highlighted in an 8-page catalog. Also provided are specs and performance information along with charts and definitions of trackability. Application data and prices are listed.—Shure Bros. Inc.

Circle 85 on reader service card

28 REMOTE CONTROL CIRCUITS on 2-page Idea Sheet. Outlines in nontechnical language ideas on how to build typical remote circuits to control appliances, machine tools, TV commercial killers, burglar alarms and other apparatus requiring safe, remote operation.—Alec Electronic Products Inc.

Circle 86 on reader service card

STEREOPHONIC MUSIC SYSTEM consisting of a AM/FM receiver and two wide response, full range speakers with a special adapter circuit to provide commercial-free background music is detailed in a 4-page brochure entitled "Tired of Listening to Music Between Commercials?"—SGA Services Co.

Circle 87 on reader service card

1969 PINLITES CATALOG, 12 pages, fully describes the company's major product line in the *Milgi Series* as well as important new technical data, graphs and diagrams showing light life/voltage relationships, life expectancy data (up to 100,000 hours), response times, compatible connectors and mounting designs.—Pinlites Inc.

Circle 88 on reader service card

COLOR-LYTIC LISTING, 6 pages, provides data of every Color-Lytic electrolytic capacitor, including single, dual, triple and quadruple section electrolytics manufactured by the company. This concept uses the broad capacitance tolerances approved by industry standards. This makes it possible to replace over 2500 different exact replacements from about 250 electrolytics.—Cornell-Dubilier Electronics

Circle 89 on reader service card

PRINTED CIRCUIT CONNECTORS are described in a 24-page catalog PC-5, which features complete data on 4 PC connector families: (1) bifurcated bellows contacts, (2) tuning fork contacts, (3) preloaded cantilever contacts and (4) modular plate assemblies. Included are photos, line drawings, electrical characteristics and mechanical specs on over 100,000 different PC connector combinations.—The Bunker-Ramo Corp.

Circle 90 on reader service card

Write direct to the manufacturers for information on items listed below:

SOLID-STATE LAMP MANUAL, 64 pages with illustrations, for industrial users and educators. Contains two main sections: a discussion of optoelectronics and the most significant applications of solid-state lamps (SSL). Also sections on history of electroluminescence, SSL theory, characteristics and specs.—\$2 each from: General Electric Co., Dept. CRD #381, Nela Park, Cleveland, Ohio 44112. R-E

There's no substitute for **SUCCESS...**



JAMES WONG—Research Engineer
Heald Engineering College Graduate

or **IN-CLASS INSTRUCTION!**

In electronics, it's the training that makes the difference. Employers require well-trained men and the first thing checked is where you gained your knowledge.

HEALD GRADUATES have many job offers with starting salaries often in excess of \$10,000 per year. AND advancement is rapid.

GET STARTED NOW. Be a
DRAFTSMAN—12 months
TECHNICIAN—15 months
ENGINEER (B.S. Deg.)—36 months
ARCHITECT (B.S. Deg.)—42 months
YOU are eligible for HEALD ENGINEERING COLLEGE if you have a high school education or the equivalent.

Increased income starts with success—success starts with your move to Heald. Send now for FREE brochures with more information on Heald in San Francisco and your future in Engineering!

FREE LIFETIME PLACEMENT SERVICE
VETERAN APPROVED



WRITE TODAY FOR DETAILS

HEALD Engineering College

1215 Van Ness Ave., San Francisco, California 94109

Please send me information about:

- ARCHITECTURE
- ENGINEERING: Civil Electrical
- Electronic Mechanical
- TECHNOLOGY: Electronic Engineering Technician (FCC)
- Radio/Television Technician (FCC)
- DRAFTING: Mechanical Electrical
- Structural

I am interested in Day Evening courses
Also send an application.

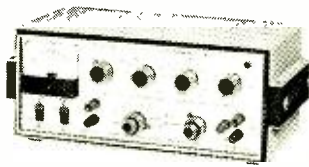
NAME _____ AC _____
ADDRESS _____
CITY _____
STATE _____
ZIP _____ PHONE _____

Circle 113 on reader service card

"Performance-Plus" Kits For Shop And

NEW
kit IG-18
\$67⁵⁰

wired IGW-18
\$99⁵⁰



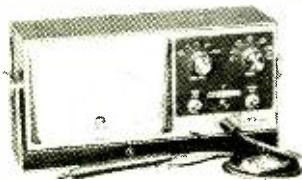
kit IM-18
\$28⁵⁰

wired IMW-18
\$47⁹⁵



kit IM-13
\$36⁵⁰

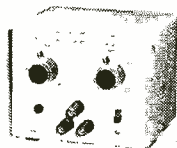
wired IMW-28
\$56⁹⁵



kit IM-38
\$39⁵⁰

wired IMW-38
\$54⁹⁵

kit IP-18
\$19⁹⁵



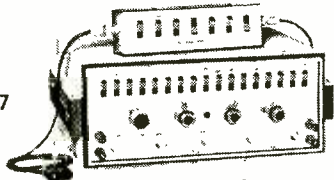
kit IT-18
\$24⁹⁵

kit IM-17
\$21⁹⁵



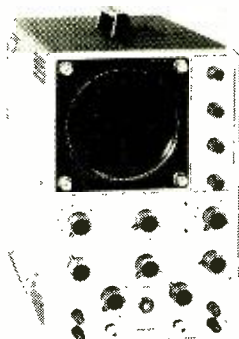
kit IG-57
\$135⁰⁰

wired IGW-57
\$199⁰⁰



kit IO-18
\$84⁹⁵

wired IOW-18
\$139⁹⁵



HEATHKIT IG-18 Solid-State Sine-Square Wave Generator

A precision source of sine or square waves at a low kit price . . . that's the new solid-state IG-18 from Heath. Delivers 5% accuracy thru the wide range of 1 Hz to 100 kHz. The sine wave section features less than 0.1% distortion thru the audio range, 8 output voltage ranges from 0.003 to 10V, switch-selected internal 600 ohm load or external load and metered output of both voltage & dB. The square wave section has a 50 nS rise time and three output voltage ranges from 0.1 to 10 V P-P. Both sine & square waves are available simultaneously and the frequency is switch-selected for constant repeatability and fast operation. Circuit board construction makes the new IG-18 easy to build . . . new Heathkit styling and engineering excellence make it easy to use. Put the new IG-18 on your bench now. 10 lbs.

HEATHKIT IM-18 VTVM

The new Heathkit IM-18 continues the features that made the IM-11 famous . . . 7 AC and 7 DC voltage ranges that measure from 0-1500 volts full scale . . . 7 ohms ranges for measurements from 0.1 ohm to 1000 megohms . . . the convenience of a single probe . . . 11 megohm input impedance . . . ± 1 dB 25 Hz to 1 MHz response . . . precision 1% resistors . . . DC polarity reversing position on the function switch . . . RMS & P-P AC voltage and dB measurement capability . . . precision $4\frac{1}{2}$ " 200 uA meter for extra sensitivity. In addition, the new IM-18 has 120 V. or 240 V. AC wiring options, new Heathkit styling and a 3-wire line cord for safety. 5 lbs.

HEATHKIT IM-13 "Service Bench" VTVM

The Heathkit IM-13 has the same performance specifications as the new IM-18 above, but it also incorporates other features that put it in a class by itself, such as a large, easy-to-read 6" meter . . . extra 1.5 and 5 volt AC ranges for additional accuracy . . . convenient gimbal mounting that allows attachment to your most convenient surface . . . "Set and Forget" calibration — all controls are adjustable from the front panel with a screwdriver . . . smooth ten-turn vernier control of Zero and Ohms adjust for greater accuracy and easier setting . . . clean, open parts layout and a readily accessible "ohms" battery. Assembly is easy, thanks to the famous Heathkit manual, and operating convenience and versatility are tops. For maximum value in a general service VTVM, you just can't beat the Heathkit IM-13. 7 lbs.

HEATHKIT IM-38 Laboratory AC VTVM

For all around general service work, audio design or laboratory analysis, there isn't a better value than the new Heathkit IM-38 AC VTVM. Here's why — 10 voltage ranges measure from 0.01 to 300 volts RMS full scale . . . extended frequency response of 10 Hz to 500 kHz at ± 1 dB . . . 10 megohm input on all ranges for higher accuracy . . . wide —52 to +52 dB range . . . VU-type ballistic meter damping . . . very low AC noise . . . 120 or 240 VAC wiring options and new Heathkit styling in sharp beige & brown with an easy-to-grasp, easy-to-read knob. 5 lbs.

HEATHKIT IP-18 1-15 VDC Power Supply

If you work with transistors, this is the power supply for you. All solid-state circuitry provides 1-15 VDC at up to 500 mA continuous. Features adjustable current limiting, voltage regulation, floating output for either + or — ground, AC or DC programming, circuit board construction, and small, compact size. 110 or 220 VAC. 5 lbs.

HEATHKIT IT-18 In-Circuit Transistor Tester

In-Circuit transistor testers don't have to be expensive, and the IT-18 is proof of that . . . tests DC Beta 2-1000, in or out-of-circuit . . . leakage I_{cbo} and I_{ceo} current 0-5000 uA out-of-circuit . . . identifies NPN or PNP devices . . . tests diodes in or out-of-circuit for opens & shorts . . . identifies unknown diode leads . . . matches PNP & NPN transistors. The IT-18 is completely portable — runs on just one "D" cell. Easy to use too . . . rugged polypropylene case, attached 3' test leads, big $4\frac{1}{2}$ " 200 uA meter, all front panel controls, 10-turn calibrate control. 4 lbs.

HEATHKIT IM-17 Solid-State Volt-Ohm Meter

Another very popular volt-ohmmeter from Heathkit engineering and it's easy to see why — all solid-state circuitry . . . high impedance FET input, 11 megohms on DC, 1 megohm on AC . . . 4 AC voltage ranges . . . 4 DC voltage ranges . . . 4 ohm ranges . . . $4\frac{1}{2}$ " 200 uA meter . . . 3 built-in test leads . . . DC polarity reversing switch . . . zero-adjust & ohms-adjust controls . . . continuous 12-position function switch. And that's not all — the IM-17 is battery powered for complete portability and comes in a rugged polypropylene case with built-in handle. Simple circuit board assembly. 4 lbs.

HEATHKIT IG-57 Solid-State Post Marker/Sweep Generator

The new IG-57 plus a 'scope is all you need . . . no external sweep generator required. Switch selection of any of 15 crystal-controlled marker frequencies (you can view up to six different frequencies on one 'scope trace). Select the sweep range and you are ready to instantly see the results of any changes you make. Four markers for setting color bandpass, one for TV sound, eight at 1F frequencies between 39.75 & 47.25 MHz plus picture and sound carrier markers for channels 4 & 10. Three sweep oscillators produce the 5 most-used ranges . . . color bandpass, FM 1F, color & B&W IF and VHF channels 4 & 10. Save hundreds of dollars and put full alignment facilities in your shop too — order your IG-57 now. 14 lbs. Kit IG-14, same as IG-57 w/o the sweep, 11 lbs. \$99.95.

HEATHKIT IO-18 Wide-Band 5" 'Scope

The New Heathkit IO-18 is destined to be the world's most popular 'scope, just as its predecessor, the IO-12 was. Features 5 MHz bandwidth, the famous Heath patented sweep circuit — 10 Hz to 500 kHz in 5 ranges, two extra sweep positions which can be preset to often-used rates, frequency compensated vertical attenuation, built-in P-P calibration reference, Z-axis input, retrace blanking, wiring options for 120 or 240 VAC operation and new Heathkit styling in beige and brown. 24 lbs.

Home... From The Leader



Now There are 4 Heathkit Color TV's...
All With 2-Year Picture Tube Warranty

NEW Deluxe "681" Color TV With Automatic Fine Tuning

The new Heathkit GR-681 is the most advanced color TV on the market. A strong claim, but easy to prove. Compare the "681" against every other TV — there isn't one available for any price that has all these features. Automatic Fine Tuning on all 83 channels... just push a button and the factory assembled solid-state circuit takes over to automatically tune the best color picture in the industry. Push another front-panel button and the VHF channel selector rotates until you reach the desired station, automatically. Built-in cable-type remote control that allows you to turn the "681" on and off and change VHF channels without moving from your chair. Or add the optional GRA-681-6 Wireless Remote Control described below. A bridge-type low voltage power supply for superior regulation; high & low AC taps are provided to insure that the picture transmitted exactly fits the "681" screen. Automatic degaussing, 2-speed transistor UHF tuner, hi-fi sound output, two VHF antenna inputs... plus the built-in self-servicing aids that are standard on all Heathkit color TV's but can't be bought on any other set for any price... plus all the features of the famous "295" below. Compare the "681" against the others... and be convinced.

GRA-295-4, Mediterranean cabinet shown... **\$119.50**
Other cabinets from \$62.95

Deluxe "295" Color TV... Model GR-295

Big, Bold, Beautiful... and packed with features. Top quality American brand color tube with 295 sq. in. viewing area... new improved phosphors and low voltage supply with boosted B+ for brighter, livelier color... automatic degaussing... exclusive Heath Magna-Shield... Automatic Color Control & Automatic Gain Control for color purity, and flutter-free pictures under all conditions... preassembled IF strip with 3 stages instead of the usual two... deluxe VHF tuner with "memory" fine tuning... three-way installation — wall, custom or any of the beautiful Heath factory assembled cabinets. Add to that the unique Heathkit self-servicing features like the built-in dot generator and full color photos in the comprehensive manual that let you set-up, converge and maintain the best color picture at all times, and can save you up to \$200 over the life of your set in service calls. For the best color picture around, order your "295" now.

GRA-295-1, Walnut cabinet shown... **\$62.95**
Other cabinets from \$99.95

Deluxe "227" Color TV... Model GR-227

Has same high performance features and built-in servicing facilities as the GR-295, except for 227 sq. inch viewing area. The vertical swing-out chassis makes for fast, easy servicing and installation. The dynamic convergence control board can be placed so that it is easily accessible anytime you wish to "touch-up" the picture.

GRA-227-1, Walnut cabinet shown... **\$59.95**
Mediterranean style also available at \$99.50

Deluxe "180" Color TV... Model GR-180

Same high performance features and exclusive self-servicing facilities as the GR-295 except for 180 sq. inch viewing area. Feature for feature the Heathkit "180" is your best buy in deluxe color TV viewing... tubes alone list for over \$245. For extra savings, extra beauty and convenience, add the table model cabinet and mobile cart.

GRS-180-5, table model cabinet and cart... **\$39.95**
Other cabinets from \$24.95

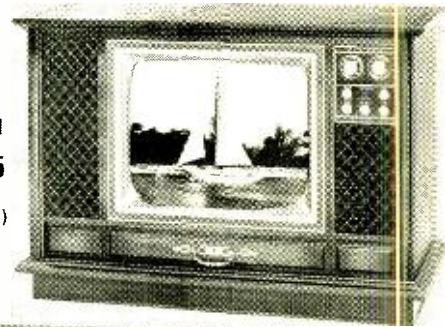
Now, Wireless Remote Control For Heathkit Color TV's

Control your Heathkit Color TV from your easy chair, turn it on and off, change VHF channels, volume, color and tint, all by sonic remote control. No cables cluttering the room... the handheld transmitter is all electronic, powered by a small 9 v. battery, housed in a small, smartly styled beige plastic case. The receiver contains an integrated circuit and a meter for adjustment ease. Installation is easy even in older Heathkit color TV's thanks to circuit board wiring harness construction. For greater TV enjoyment, order yours now.

kit GRA-681-6, 7 lbs., for Heathkit GR-681 Color TV's... **\$59.95**

kit GRA-295-6, 9 lbs., for Heathkit GR-295 & GR-25 TV's... **\$69.95**

kit GRA-227-6, 9 lbs., for Heathkit GR-227 & GR-180 TV's... **\$69.95**



kit GR-681

\$499⁹⁵

(less cabinet)



kit GR-295
now only

\$449⁹⁵

(less cabinet)



kit GR-227
now only

\$399⁹⁵

(less cabinet)



kit GR-180
now only

\$349⁹⁵

(less cabinet)



New Wireless
TV Remote Control
For GR-295, GR-227
& GR-180

\$69⁹⁵

New Wireless
TV Remote Control
For GR-681

\$59⁹⁵



NEW

FREE 1969 CATALOG!

Now with more kits, more color. Fully describes these along with over 300 kits for stereo/hi-fi, color TV, electronic organs, electric guitar & amplifier, amateur radio, marine, educational, CB, home & hobby. Mail coupon or write Heath Company, Benton Harbor, Michigan 49022.

HEATH COMPANY, Dept. 20-2
Benton Harbor, Michigan 49022
In Canada, Daystrom Ltd.

Enclosed is \$ _____, plus shipping.

Please send model (s)
 Please send FREE Heathkit Catalog.
 Please send Credit Application.

Name _____

Address _____

City _____

State _____

Zip _____

Prices & specifications subject to change without notice.

CI-333

Circle 114 on reader service card

now there are 3 time & tool-saving double duty sets

New PS88 all-screwdriver set rounds out Xcelite's popular, compact convertible tool set line. Handy midgets do double duty when slipped into remarkable hollow "piggyback" torque amplifier handle which provides the grip, reach and power of standard drivers. Each set in a slim, trim, see-thru plastic pocket case, also usable as bench stand.



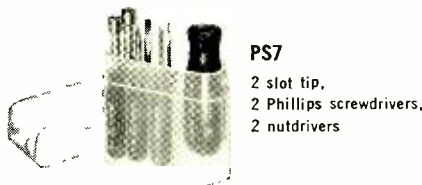
PS88

5 slot tip,
3 Phillips screwdrivers



PS120

10 color
coded nutdrivers



PS7

2 slot tip,
2 Phillips screwdrivers,
2 nutdrivers

WRITE FOR CATALOG SHEET N563



XCELITE, INC., 10 BANK ST., ORCHARD PARK, N. Y.
Canada: Charles W. Pointon, Ltd., Toronto, Ont.

Circle 115 on reader's service card

Service Clinic

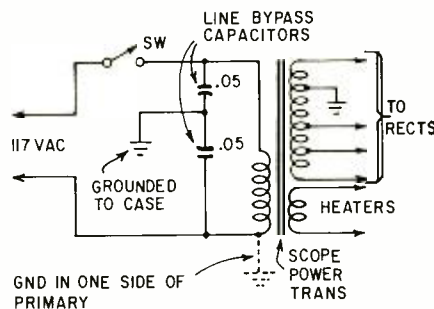
By **JACK DARR**
SERVICE EDITOR

This column is for your service problems—TV, radio, audio or general and industrial electronics. We answer all questions individually by mail, free of charge, and the more interesting ones will be printed here.

If you're really stuck, write us. We'll do our best to help you. Don't forget to enclose a stamped, self-addressed envelope. Write: Service Editor, Radio-Electronics, 200 Park Ave. South, New York 10003.

Hot Scope Case

The case of my scope is "hot" unless I ground it to an ac outlet. But then I get a terrific spark if I try to hook the ground to a hot-chassis set.—P. L., Roxbury Crossing, Mass.



Chances are you have a shorted or leaky ac-line bypass capacitor on the power-transformer primary. Unsolder one end of each capacitor and recheck for sparks. Most scopes have these capacitors, but if yours doesn't you may have a ground in the primary wiring.

Broken VTVM Function Switch

I've got a Philco 6110 vtvm with a broken function switch. I can't get any information on it from the distributor, and the factory says that parts or a schematic are no longer available. Can I use another type of switch in this instrument?—W. R. E., Skowhegan, Me.

Yes. Centralab. Switchcraft and many others are making switches now that will do anything! Look through the catalogs at your distributor's. You ought to be able to find quite a few that will do the work.

PRECAUTION: before you disconnect any of the wiring from the old switch, draw a very complete diagram! Better yet, draw two diagrams: a sche-

components
of
all speakers
basket
pot
cone
voice coil
magnet

extra
components
of
Quam
speakers

customer-oriented
engineering

top grade
raw materials

scrupulous
manufacturing

precision
assembly

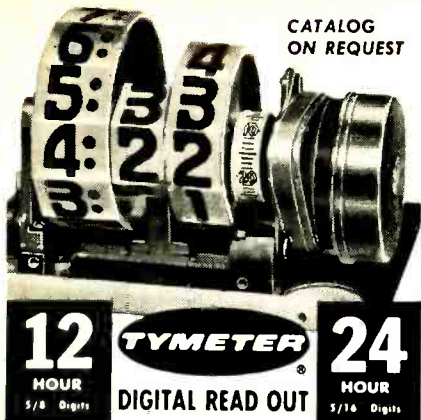
conservative
ratings

QUAM gives you a premium in quality, asks no premium in price. That's how we've stayed out in front for almost half-a-century!

QUAM-NICHOLS COMPANY
234 East Marquette Road, Chicago, Illinois 60637

Circle 109 on reader's service card

RADIO-ELECTRONICS



CATALOG
ON REQUEST

12 HOUR
5/8 Digits

TYMETER

24 HOUR
5/16 Digits

DIGITAL READ OUT

CLOCK MOVEMENTS

DIGITS RESETTABLE INDIVIDUALLY

Available in 50, 60 cy., all voltages, AC. UL approved motor, cord. One Year Guarantee.

#130...12-HOUR #131...24-HOUR



#96 LARGE FIGURE COUNTER
in tenths of seconds, seconds, tenths of minutes, minutes, tenths of hours, hours
Made in U.S.A.

Complete Line: Delay, Interval and Cycle Timers, Digital Computers

PENNWOOD NUMECHRON CO.
TYMETER ELECTRONICS

7249 FRANKSTOWN AVE., PITTSBURGH, PA. 15208

Circle 116 on reader's service card

SOLVE YOUR TV REPAIR PROBLEMS WITH TV TECH AID

A monthly TV publication of actual repairs, and troubles encountered in **OUR** business. The information will be gathered from technicians, field reps, and all the leading manufacturers.

TV TECH AID will be published in loose leaf sheets for simplified filing and easy reference. Each manufacturer will have its own page.

Each symptom will have a clearly marked schematic of the particular faulty stage. The faulty components, and corrections will be listed to aid in repair. No guess work.

It will contain current models, older models, circuit changes and modifications on various models as they occur.

The days of "Trial and Substitution" are over.

TIME LOST cannot be regained, and that is where the **PROFITS** are made.

ONE repair is worth more than four times the investment.

Each monthly issue will contain a series of timely sheets and the cost to you is only \$6.95 for a full years subscription.

TV TECH AID
P.O. BOX 603
KINGS PARK, L. I.
NEW YORK 11754

ENCLOSED IS A CHECK OR M.O. FOR \$6.95 PLEASE SEND 12 ISSUE OF TV TECH AID TO:

NAME _____
ADDRESS _____
CITY _____
STATE _____ ZIP _____

Circle 117 on reader's service card

FEBRUARY 1969

matic, and a pictorial or rough sketch of wire colors and where each goes. If you do this, you'll have a lot more fun when it comes time to put the pieces back. The best thing, of course, is to leave the old switch in there until you get the new one.

Trace out each circuit, and label each deck of the switch. Be sure to show whether a contact is on the front or back of the deck. By checking up on similar switches on other makes of vtvm's, you can get a rough idea of about how they work. Like TV chassis, vtvm's are much the same functionally.

Loss of Height, 24-inch Zenith

I have a 24-inch Zenith with not enough height. It uses a 6BX7 tube in the vertical output. Voltages, etc., on the oscillator seem to be normal. Yoke, output transformer, etc., have all been checked. Any ideas?—G.B., Silver Bay, N.Y.

This used to be a common problem, especially in sets with 6BX7 tubes! The 6BX7 is a "special selected" 6BL7, which in turn is a specially selected 6SN7! Pushing a 24-inch tube to fill height is a job; so, you can't stand too much of a drop in tube output.

Try substituting several 6BX7 tubes, and you may find one that will fill the screen: this was our most frequent way of fixing such troubles! Also, measure the peak-to-peak drive signal on the 6BX7 input grid. This is important.

Warmup Misconvergence On CTC7

I notice that the convergence is pretty bad on a CTC7AA chassis until it's been on for about 10 minutes. I have reconverged it, but I tried it the other day with the set cold, and it looks awful. After it's on for a while, the convergence floats back in and then it runs fine. What's causing this?—B. G., Galup, N. M.

This is probably due to a slow-heating vertical output tube, or to a resistor somewhere in the vertical circuits that isn't up to par. You're actually getting enough distortion of the vertical sweep waveform to change the shape of your dynamic convergence parabolic waveforms. I think, if you'll look closely, you'll see that most of it is vertical misconvergence—red or blue showing on the sides of vertical lines.

Try replacing the vertical output tube, and check out all resistors in and around the vertical oscillator circuit. Most especially, check the big resistors (3.3 meg, 6-8 meg, and so on) in the vertical linearity control circuit. This is a feedback type of linearity control, and if you have a thermal-sensitive resistor in there anywhere, it could cause just this kind of distortion. **R-E**

Delta Launches the COMPUTACH*



The Great One!

*An exclusive computer-tachometer for precise RPM measurement in easy-to-build Kit form!

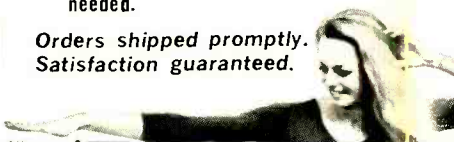


ONLY \$29.95 p.p.d.

Delta, pioneers in CD ignition who produced the fabulous MARK TEN®, now offer a precise computer-tachometer which obsoletes any type tachometer on the market today! You achieve unbelievable accuracy in RPM readings due to the advanced, solid-state electronic matched components used in the computer, coupled with the finest precision meter in the world. Works on all 2, 3, 4, and 6 cylinder 2 cycle and with 4-6-8 cylinder—4 cycle 12 volt engines.

- ▲ 0-8000 RPM range
- ▲ Perfect linearity—zero parallax
- ▲ Adjustable set pointer
- ▲ Wide angle needle sweep
- ▲ Translucent illuminated dial
- ▲ Chrome plated die-cast housing
- ▲ All-angle ball & socket mounting
- ▲ Use it with ANY ignition system
- ▲ Meter: 3 1/8" dia. X 3 3/8" deep
- ▲ Calibration kit included, no test eqpt. needed.

Orders shipped promptly. Satisfaction guaranteed.



DELTA PRODUCTS, INC.
Send check today!

P.O. Box 1147 RE / Grand Junction, Colo. 81511
Enclosed is \$ _____ Ship ppd. Ship C.O.D.
Please send:

COMPUTACH® Kits @ \$29.95 p.p.d.
Sold in Kit Form ONLY!

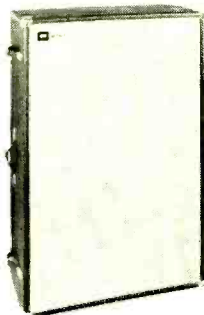
Name _____
Address _____
City/State _____ Zip _____

Circle 118 on reader's service card

HALF PRICE!

Yes! Half the price you would normally pay for:

- Guitar Amplifiers • Speaker Cabinets
- P. A. Amplifiers • Sound Columns
- Strobe Lights • Color Organs



How? With **MYRIAKIT**!

MYRIAKIT offers you great equipment in kit and semi-kit form, each including easy to follow step-by-step instructions to insure proper and accurate assembly.

WRITE FOR FREE CATALOG TO:

MYRIAKIT CORP.
1043 N. Main St., Akron, O. 44310
Name _____
Address _____
City _____ State _____ Zip _____

Circle 120 on reader service card

NEW TUBES AND SEMICONDUCTORS

TWELVE NEW HEP IC'S

Eight new digital and four new linear IC's have been added to Motorola's HEP line of semiconductors for hobbyist, experimenter and service technician. Three of the RTL digital IC's are in 14-pin plastic dual in-line packages. They are the HEP-570 quad 2-input gate, HEP571 dual buffer and HEP572 dual J-K flip-flop.

The other five digital units are the metal-cased HEP580 dual 2-input gate, HEP581 four-input gate, HEP-582 dual buffer, HEP583 J-K flip-flop and HEP584 dual two-input gate (equivalent to the popular μ L914).

The four new linear IC's are the HEP590 high-frequency amplifier for rf and i.f. applications, HEP591 wide-band amplifier/discriminator for use as a FM i.f. amplifier and detector, HEP592 dual preamplifier for stereo phonos and recorders and the HEP-593 1-watt audio amplifier. These four units are in 10-pin cans similar to the TO-5.

Additional information is contained in catalog No. HMA27-4 and the booklet *Tips on Using IC's*

(HMA-32) available from HEP distributors or from Technical Information Center, Motorola Semiconductor Products, Box 20924, Phoenix, Ariz. 85036.

INDICATOR TUBE FOR LOGIC READOUT

The 6977 subminiature logic indicator tube has been re-rated for operation with either npn (positive) or pnp (negative) logic circuits. Its new rating permits grid potentials as high as 12 volts with proper biasing. When the 6977 is on, it produces a brilliant blue-green bar of light visible even in a brightly lighted room. A hard-vacuum tube, its response is virtually instantaneous.

Arrays of 6977's mounted on circuit boards are used to monitor flip-flop circuits in computer registers, input/output devices and other logic circuits. The 0.217" tubes can be mounted in direct contact with each other.

For a new data sheet and applications data showing how to use this

HOT ITEMS ORDER TO-DAY

FREE \$1 BUY WITH EVERY 10 YOU ORDER Only applies to "\$1" Buys FREE GIFT WITH EVERY ORDER

- 100 - ASST. TUBULAR CONDENSERS .001 to .47 to 600v . . . \$1
- TV TUNERS asst. all new standard makes, less Tubes \$1
- TV TUNERS asst. all new standard makes, including Tubes \$3
- 32' - TEST PROD WIRE deluxe quality, red or black . . . \$1
- HEARING AID AMPLIFIER incl. 3 Tubes, Mike, etc. (as is) . . \$1
- 50 - #3AG FUSES 1/2 AMP popular type with pigtailed . . . \$1
- 10 - STANDARD TRANSISTORS NPN & PNP 2N401, 2N414, etc. . . \$1
- 10-ASSORTED DIODE CRYSTALS 1N34, 1N48, 1N60, 1N64, etc. . . \$1
- 6 - TRANSISTOR RADIO EAR-PIECES wired complete with plug . \$1
- 1-SQ. YARD GRILLE CLOTH most popular brown & gold design \$2
- S20-SHURE M-7D DIAMOND NEEDLE exact replacement . . . \$3
- \$15.00 TELEVISION PARTS "JACKPOT" best buy ever . . . \$1
- 7 - TV ELECTROLYTIC CONDENSERS desirable types \$1
- 2 - PRINTED CIRCUIT I.F. TRANS. 455 KC, 4 Lug-Input & Output \$1

- 100-ASST 1/4 WATT RESISTORS stand. choice ohmages, some in 5% \$1
- 100-ASST 1/2 WATT RESISTORS stand. choice ohmages, some in 5% \$1
- 70 - ASST 1 WATT RESISTORS stand. choice ohmages, some in 5% \$1
- 35 - ASST 2 WATT RESISTORS stand. choice ohmages, some in 5% \$1
- 50 - PRECISION RESISTORS asst. list-price \$50 less 98% . . . \$1
- 20 - ASSORTED WIREWOUND RESISTORS, 5, 10, 20 watt . . . \$1
- 4 - TOGGLE SWITCHES SPST, SPDT, DPST, DPDT . . . \$1
- 10-ASSORTED SLIDE SWITCHES SPST, SPDT, DPDT, etc. \$1
- 100 - STRIPS ASSORTED SPAGHETTI handy sizes \$1
- UNIVERSAL 4" PM SPEAKER Alnico 5 magnet, quality tone . . 79¢
- 3 - TOP BRAND 35W4 TUBES \$1
- 2" x 6" SPEAKER Alnico 5 magnet, quality tone . . \$1
- METER SENTRY-SOLID STATE Protects meter movements up to 25 amps surge 99¢
- 15 - ASST. ROTARY SWITCHES \$1 all popular types \$20 value . . . \$1

- TRANSISTOR RADIO asst type good, bad, broken, as-is, potluck \$1.50
- TAPE RECORDER - assorted types good, bad, broken, as-is, potluck . \$4
- AMPLIFIER 110v AC-DC, 5 Watt Wired - Phono, Comb. Intercom, etc. needs 3-12AX7, 2-50L6 as is \$3
- NYLON PRINTED CIRCUIT TOOL For Lead Bending & Dressing, will not scratch Boards \$1
- 50 - ASST. DISC CERAMIC CONDENSERS popular numbers . \$1
- 100 - ASST. MICA CONDENSERS some in 5% \$1
- 2 - POWER TRANSISTORS Replace 2N155, 2N176, 2N301, etc. \$1
- HYTRON POWER TRANSISTOR H.V. replaces 2N501, 2N173, etc. \$1
- 10 - SPEAKER PLUG SETS deluxe type, 2 conductor \$1
- 10 SETS - DELUXE PLUGS & JACKS asst. for many purposes . \$1
- 10 - SETS PHONO PLUGS & PIN JACKS RCA type \$1
- 10 - SURE-GRIP ALLIGATOR CLIPS 2" plated \$1
- 50 - ASSORTED PRINTED CIRCUIT SOCKETS best types \$1

- ### MARKET SCOOP COLUMN
- 12" OXFORD SPEAKER. Top Quality . . . Large Magnet \$4
 - 10" PHILCO SPEAKER Top Quality . . . Large Magnet \$2.69
 - 8"-ECONOMY OXFORD SPEAKER Top quality . . . \$1.69 2.15" Mag.
 - MOTOROLA PWR TRANSFORM 110v, CT 150/150v, 6.3v . . . \$1
 - 10 - TRANSFORMERS assorted Audio Outputs, Chokes, T, P, S, etc. \$1
 - 10 - ASST. RADIO & TV TUBES \$1 Every Tube a good number . . . \$1
 - 50 - ASSORTED TRANSISTORS big factory scoop-sold as-is . . \$1
 - 20-ELECTROLYTIC CONDENSERS \$1 Fine asst. too numerous to mention
 - 20 - ASST. VOLUME CONTROLS \$1 All desirable good types \$1
 - 100 - RADIO & TV SOCKETS \$1 Asst. - too numerous to mention .
 - 100 - RADIO & TV KNOBS \$1 Asst. - too numerous to mention
 - 25 - 3900-OHM-7w RESISTOR \$1 10% Coating glass \$1
 - 20 - 47-600V CONDENSERS \$1 White Ceramic C.D.-American . . .

IMMEDIATE DELIVERY . . . Scientific light packing for safe delivery at minimum cost. HANDY WAY TO ORDER: Pencil mark or write amounts wanted in each box, place letter F in box for Free \$1 BUY. Enclose with check or money order, add extra for shipping. Tearsheets will be returned as packing slips in your order, plus lists of new offers.

Name _____ Cost of goods _____
Address _____ Shipping _____
_____ estimated _____
_____ TOTAL _____

Please specify refund on shipping overpayment desired: CHECK POSTAGE STAMPS MERCHANDISE (our choice) with advantage to customer

BROOKS RADIO & TV CORP., 487 Columbus Ave., New York, N. Y. 10024 212-874 5600 TELEPHONE

tube to indicate logic 1's and 0's at either positive or negative logic levels, write to Amperex Electronic Corp., Semiconductor and Microcircuits Div., Slatersville, R.I. 02876.

10-WATT IC AMPLIFIER AND PREAMP

The IC-10 is a monolithic IC power amplifier and preamp measuring only 1" x 0.4" x 0.2" and delivering 10 watts peak (5 watts rms) continuous with less than 1% distortion at full output. Frequency response is flat within ±1 dB from 5 Hz to 100 kHz. The circuit is complete within itself and requires only tone and volume controls and a power supply for operation.

The preamp section contains 3 transistors with cutoff frequencies above 500 MHz so that it can be used as an rf or i.f. amplifier. The power amplifier is a 10-transistor circuit with a class-AB output stage. The amplifier operates on any power source between 8 and 18 volts and works into 3- to 15-ohm speakers.

The IC-10 is guaranteed for 5 years and costs 59s. 6d, complete with a comprehensive instruction manual. Available from Sinclair Radionics Ltd., 22 Newmarket Road, Cambridge, England. **R-1E**



Save Time on PC Board Repairs!

The ENDECO Desoldering Iron Removes Soldered Components in seconds...without damage!

Endeco melts solder; removes last trace by vacuum. Leaves terminals and mounting holes clean. Resolders PC boards better than regular iron. One-hand operation. Temperature controlled for continuous use. Standard tip furnished, 5 other tip sizes. Pays for itself. \$20.65 net. Smaller size available. See your distributor or write:

ENDECO
ENTERPRISE DEVELOPMENT CORPORATION
 5149 E. 65th • Indianapolis, Ind. 46220
 Circle 121 on reader service card

How Fast Can You Read?

A noted publisher in Chicago reports there is a simple technique of rapid reading which should enable you to increase your reading speed and yet retain much more. Most people do not realize how much they could increase their pleasure, success and income by reading faster and more accurately.

According to this publisher, many people, regardless of their present reading skill, can use this simple technique to improve their reading ability to a remarkable degree. Whether reading stories, books, technical matter, it becomes possible to read sentences at a glance and entire pages in seconds with this method.

To acquaint the readers of this publication with the easy-to-follow rules for developing rapid reading skill, the company has printed full details of its interesting self-training method in a new booklet, "How to Read Faster and Retain More" mailed free to anyone who requests it. No obligation. Send your name, address, and zip code to: Reading, 835 Diversey Parkway, Dept. 684-012, Chicago, Ill. 60614. A postcard will do.

Circle 122 on reader service card

CANADIANS: Ordering is easy — we do the paperwork — try a small order

Integrated Circuits At Prices You Can Afford

Motorola HepKit Includes **ALL FIVE JUST \$3.95**

- One J-K Flip Flop
- One Dual Buffer
- One 4-Input Gate
- Two Dual 2-Input Gates

ALSO Tips On Using I.C.s. Including an Integrated Circuit Cross Reference Guide & 8 I.C. Project Circuits

IBM COMPUTER SECTIONS

8 assorted Units we sell for \$1 are loaded with over 150 valuable parts.

Incl. — Transistors, Condensers, Resistors, Heat Sinks, Diodes, Etc.

8 for \$1
100 for \$10

SHANNON MYLAR RECORDING TAPE:

2 1/2" — 225' .. \$.15	7" — 2400' .. \$1.59
3" — 225' .. .17	7" — 3600' .. \$2.78
3" — 300' .. .24	CASSETTE 60 minutes .89
3 1/4" — 600' .. .49	CASSETTE 90 minutes 1.54
5" — 600' .. .52	CASSETTE 120 minutes 1.97
5" — 900' .. .67	
5" — 1200' .. .86	2 1/2" TAPE REEL .. .04
5" — 1800' .. 1.29	3" TAPE REEL .. .05
7" — 1200' .. .69	3 1/4" TAPE REEL .. .06
7" — 1800' .. .99	5" TAPE REEL .. .12
	7" TAPE REEL .. .14

- | | | | |
|---|--|---|--|
| <input type="checkbox"/> BONANZA "JACKPOT" not gold, not oil, but a wealth of Electronic Items—Money-back-guarantee \$5 | <input type="checkbox"/> ALL AMERICAN TUBE KIT 12BA6, 12HE6, 12AV6, 80C5, 35W4—total list \$9.70 \$2 | <input type="checkbox"/> RECORDING TAPE SPLICER \$1.49 handy, accurate, compact | <input type="checkbox"/> RCA 110° FLYBACK TRANSFORMER We scooped the Market Latest type — standard for all 110° TVs! RCA's design of large Coil produces 36KV—assuring adequate width Incl Schematic Diagram application for any TV List price \$32.90 Your price \$3 10% off in lots of 3 |
| <input type="checkbox"/> 300 — ASSORTED HEX NUTS 2/56, 4/40, 5/40, 6/32, 8/32 \$1 | <input type="checkbox"/> 2 — TV CIRCUIT BREAKER Rated 4.2 TO 5.0 AMPS, etc. \$1.19 | <input type="checkbox"/> UNIVERSAL 5 1/2" PM SPEAKER \$1 Alnico 5 magnet, quality tone | <input type="checkbox"/> "COMBINATION SPECIAL" RCA 110° FLYBACK PLUS 110° DEFLECTION YOKE \$5 |
| <input type="checkbox"/> 250 — ASST. SOLDERING LUGS best types and sizes \$1 | <input type="checkbox"/> 70° COLOR YOKES For all round color CRT's \$12.95 | <input type="checkbox"/> UNIVERSAL MICROPHONE \$2 regular/remote/single & dual plug | <input type="checkbox"/> 90° FLYBACK TRANSFORMER \$2 for all type TV's incl schematics |
| <input type="checkbox"/> 250 — ASST. WOOD SCREWS finest popular selection \$1 | <input type="checkbox"/> 90° COLOR YOKES For all Rectangular 19 to 25" Color CRT's \$12.95 | <input type="checkbox"/> CRYSTAL LAPEL MICROPHONE 59¢ high impedance, 200-6000 cps | <input type="checkbox"/> 90° TV DEFLECTION YOKE \$2 for all type TV's incl schematics |
| <input type="checkbox"/> 250 — ASST. SELF TAPPING SCREWS #6, #8, etc. \$1 | <input type="checkbox"/> 2—G.E. PIECES OF EQUIPMENT stacked with over 200 useful parts \$1 | <input type="checkbox"/> 25 — KNURLED RADIO KNOBS \$1 Hard to get... best selection | <input type="checkbox"/> 70° TV DEFLECTION YOKE \$2 for all type TV's incl schematics |
| <input type="checkbox"/> 150 — ASST. 6/32 CREWS and 150 6/32 HEX NUTS \$1 | <input type="checkbox"/> 50 — ASSORTED MYLAR CONDENSERS popular selected types \$1 | <input type="checkbox"/> CHAPT ZU DI MITZIA "JACK POT" Double your money back if not completely satisfied \$1 | <input type="checkbox"/> 70° FLYBACK TRANSFORMER \$2 for all type TV's incl schematics |
| <input type="checkbox"/> 150 — ASST. 8/32 SCREWS and 150—8/32 HEX NUTS \$1 | <input type="checkbox"/> 3 — TOP BRAND SILICON RECTIFIERS 1 amp, 1000 PIV \$1 | <input type="checkbox"/> STEREO HEADPHONES Hi-Fi Quality Complete With Stereo plug \$5.95 | <input type="checkbox"/> 70° TV DEFLECTION YOKE \$2 for all type TV's incl schematics |
| <input type="checkbox"/> 150 — ASST. 2/56 SCREWS and 150—2/56 HEX NUTS \$1 | <input type="checkbox"/> 20 — ASST. PILOT LIGHTS #44, 46, 47, 51, etc. \$1 | <input type="checkbox"/> 50 — TUBE CARTONS (colored) assorted sizes for Popular Tubes \$1 | <input type="checkbox"/> 20 — ASSORTED TV COILS \$1 I.F. video, sound, ratio, etc. |
| <input type="checkbox"/> 150 — ASST. 4/40 SCREWS and 150—4/40 HEX NUTS \$1 | <input type="checkbox"/> 50 —ASSORTED #3AG FUSES popular ampere ratings \$1 | <input type="checkbox"/> 4 — TV ALIGNMENT TOOLS most useful assortment \$1 | <input type="checkbox"/> 100 — TV TWIN LEAD-IN WIRE \$2 300 ohm, deluxe heavy duty, clear |
| <input type="checkbox"/> 150 — ASST. 5/40 SCREWS and 150—5/40 HEX NUTS \$1 | <input type="checkbox"/> 4 — 50' HANKS HOOK-UP WIRE assorted colors \$1 | <input type="checkbox"/> 40 — ASSORTED TV KNOBS all standard types. \$20 value \$1 | |
| <input type="checkbox"/> 500 — ASSORTED RIVETS most useful selected sizes \$1 | <input type="checkbox"/> 100' — SPOOL SPEAKER WIRE 2 cond, mini zip, clear, 101 uses \$1 | <input type="checkbox"/> 25 — VERT. LINEARITY KNOBS Long shank... best asst. \$1 | |
| <input type="checkbox"/> 500 — ASSORTED WASHERS most useful selected sizes \$1 | <input type="checkbox"/> 5 — I.F. COIL TRANSFORMERS 450-ke for Transistor Radios \$1 | <input type="checkbox"/> 50 — ASST. TERMINAL STRIPS all types, 1-lug to 6-lug \$1 | |
| <input type="checkbox"/> 100 — ASST. RUBBER BUMPERS for cabinet bottoms & other uses \$1 | <input type="checkbox"/> 5 — AUDIO OUTPUT TRANSFORM Sub-min for Trans Radios \$1 | <input type="checkbox"/> 25 — INSTRUMENT POINTER KNOBS selected popular types \$1 | |
| <input type="checkbox"/> 100—ASSORTED RUBBER GROMMETS best sizes \$1 | <input type="checkbox"/> 5 — PNP TRANSISTORS general purpose, TO-5 case \$1 | <input type="checkbox"/> 1 — LB SPOOL ROSIN-CORE SOLDER 40/60 top quality \$1 | |
| | <input type="checkbox"/> 5 — NPN TRANSISTORS general purpose, TO-5 case \$1 | <input type="checkbox"/> TWEEZER: — Stainless steel — #8 Made in Switzerland—For fine work \$1 | |
| | | <input type="checkbox"/> 3—ELECTROLYTIC CONDENSERS most popular number 50/30—150v \$1 | |

Circle 123 on reader service card

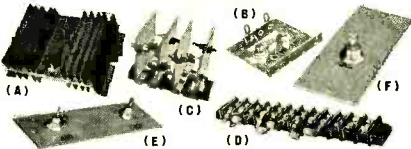
U.S. GOV'T ELECTRONIC SURPLUS

Nationally Known - World Famous SURPLUS CENTER offers finest, most expensive, Government Surplus electronic units and components at a fraction of their original acquisition cost.

ORDER DIRECT FROM AD or WRITE FOR CATALOGS

(IBM) SILICON DIODE RECTIFIERS

"Great Buys" in top quality, surplus, silicon diode rectifier units, (IBM Computer Units)



- (#REC-4) -- Two 12-amp., 50-V. silicon diodes on finest aluminum sinks. (1 lb.) (A) **\$2.69**
- (#22-925) -- Twin 15-amp., 150-V. silicon diodes on finest aluminum sinks. (1 lb.) (B) **\$1.31**
- (#11-949) -- Eight 12-amp., 100-V. silicon diodes on heavy copper heat sinks. (1 lb.) (C) **\$3.97**
- (#11-900) -- Six 1-amp., 100-V. silicon diodes on Kulkra strips. Very versatile. (1 lb.) (D) **\$1.71**
- (#22-926) -- Two 25-amp., 50-V. silicon diodes on heavy copper heat sink. (1 lb.) (E) **\$2.69**
- (#22-914) -- One 25-amp., 50-V. silicon diodes on heavy copper heat sink. (1 lb.) (F) **\$1.81**

COMPUTER TRANSISTORS ON HEAT SINKS

IBM Computer Quality Units

• (#22-928) -- Unit consists of one 150-watt power transistor on heavy, ribbed, aluminum heat sink. Many experimental uses. (1 lb.)
Cost Gov't Over \$10.00 **\$1.99**

• (#22-915) -- Unit consists of two 150-watt power transistors, 2 p.c.s., several diodes, capacitors, resistors, etc. on heavy, ribbed aluminum heat sinks. Ideal for use as motor speed control. (1 lb.)
Cost Gov't Over \$35.00 **\$4.91**



COMPUTER GRADE FILTER CAPACITORS

• Latest design, high MF units. Eliminate need for expensive chokes. 2-1/16" diam. x 4-1/2" (1-1/2 lbs.) Orig. List over \$2.75

- (#C-14-1) -- 15,500-MF @ 10-Volts **.99**
- (#C-14-2) -- 1500-MF @ 150-Volts **.98**
- (#C-14-3) -- 5000-MF @ 55-Volts **.97**
- (#C-14-7) -- 12,500-MF @ 10-Volts **\$1.19**
- (#C-14-12) -- 750-MF @ 25-Volts **.98**



RUNNING TIME METER

• (#DX-104) -- Use to record number of operating hours of electric lights and electrical devices such as refrigerators, furnaces, etc. Records total hours, months and hours/minute up to 9,999.99 hours. For 115-volt, 60-cycles. Size 4 1/2" x 3 1/2" x 2 1/2". Shipping weight 2 lbs. **\$5.69** Cost Over \$29.00



12 and 24-VOLT TRANSFORMER

• (#15-920) -- General Electric 115-volt, fibercite to 12 and 24-volts, 250-watts. Capacity 42-amps. 24-volts, 84-amps. at 12-volts. Useful for battery chargers, running 10" motors, etc. 7 1/2" x 5 1/2" x 2 1/2". (1 lb. 10 oz.)
Cost Gov't Over \$15.00 **\$16.72**



EXPANDED SCALE 0 - 15 DCVM

• (#21-900) -- Brand new, expensive voltmeter reads 0.5 to 15-volts DC and 5 to 15-volts AC. Very useful for automotive and aircraft battery charge indicator, etc. D'Arsonval movement, black phenolic case. 7 1/2" x 5 1/2" x 2 1/2". (3 lbs.)
List \$32.50 **\$12.95**



SILICON DIODES

\$5.90

• (#REC-3) -- New, perfect, Westinghouse #720-A, 275-amp., 50-volt, #N4044. Fine for high-current rectifier. (1 lb.)
List Over \$15.00

DIGITAL READ-OUT UNIT

Cost Gov't \$250.00 **\$3.97**

• (#EE-17) -- Sophisticated electronic unit contains 5-digit "read-out" electronic motor, gear train, relays, etc. 3 1/2" x 6 1/2" x 2 1/2". (1 lb. 10 oz.)



TYPICAL BUYS FROM OUR 1969 CATALOGS

• Our new 1969 Catalogs (Vol. #1 and #2) contain hundreds of tremendous buys in electronic equipment, power plants, vacuum generators, battery switches, harness, electric golf carts, hydraulic gear, walkie-talkies, tape recorders, binoculars, surveying instruments, all types 12-volt power motors, blowers, relays, etc.

- \$100.00 Automatic Telephone Step Switches **\$9.95**
- \$215.00 Geared Battery Motors For Electric Cars **\$26.95**
- \$ 30.00 Standard Dial Handset Telephones **\$7.50**
- \$ 4.50 Power Transformer 115V to 25V **\$1.21**
- \$ 37.50 750-Watt Transformers 115V, to 24V **\$19.81**
- \$650.00 Power Plant 5000-Watts, 115-Volts **\$135.00**
- \$ 30.00 115-Volt AC Watt-hour Meters **\$5.95**
- \$ 42.50 115-Volt, 35-Amp. Clock Timer Switch **\$8.91**
- 15-Vol. Discontinued Correspondence Course In Electrical Engineering **\$8.79**

SEND 25c COIN OR STAMPS FOR CATALOGS
All Items FOB Money Back Guarantee

SURPLUS CENTER

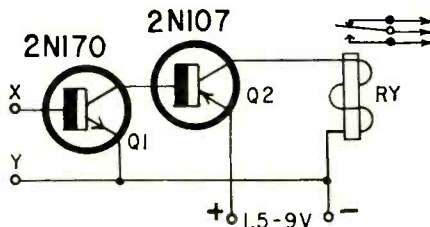
DEPT. RE 029 LINCOLN, NEBR. 68501

NOTE-WORTHY CIRCUIT

THE TRANS-RELAY

This simple two-transistor device is a photoelectric relay, touch-control switch or rain alarm, just as you want. Cost is nominal, and the device fits in the palm of your hand.

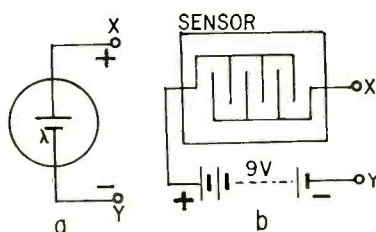
The basic circuit (Fig. 1) is a direct-coupled amplifier driving a dc relay. As long as one is n-p-n and the other p-n-p, any two transistors can be used, though high-gain units will pep up performance. The relay can be any sensitive low-volt-



age dc type such as one of the Sigma 11F series. I used an inexpensive surplus relay that I got from a mail-order house, a 60-ohm unit that pulled in well on low voltages.

Mount the relay and the two transistor sockets on a piece of bakelite or Vector board, wire it up, plug in the transistors and connect the battery (that turns the unit on!). I use a 9-volt battery; the relay resistance will affect the optimum voltage. I have used from 1.5 to 12 volts.

To make a photoelectric relay (Fig. 2-a) just attach the photocell, positive lead to the base of Q1, negative end to the emitter. For the rain alarm, make a moisture sensor as shown in Fig. 2-b. Cut two sheets of aluminum in the shape of combs, cement them to a piece of plas-



tic, and attach a paper clip to each as a contact. Be sure the combs do not touch. Hook it up as shown, with a 9-volt battery. Moisture between the teeth will bridge the gaps and conduct current, operating the relay. Touching the moisture sensor and bridging a gap also actuates the relay. You can vary the design for a touch switch.—Albert Koehler R-E

MULTICORE SALES CORP. WESTBURY, N.Y. 11590
Circle 125 on reader service card

QUIETROLE

The Original Control and Switch Lubri-Cleaner

The oldest, most reliable and efficient product obtainable for positive lubrication and cleaning of TV Tuners, Controls and Switches. Harmless to plastics and metals. Zero effects on resistance and capacity. **Non-inflammable—non-conductive—non-corrosive.**

The Choice of Better Servicemen, Everywhere.

For Color and Black and White

Available in Aerosol or Bottle

Product of

QUIETROLE

COMPANY

Spartanburg, South Carolina

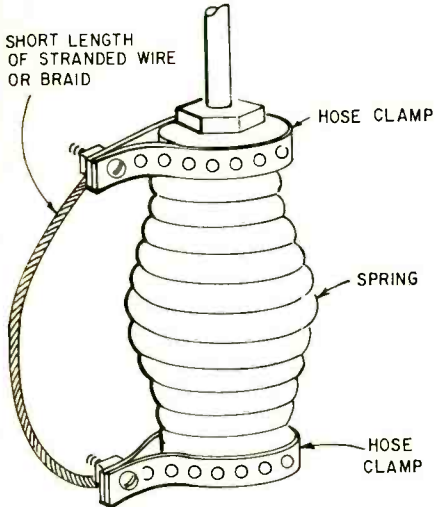


Circle 126 on reader service card

TRY THIS ONE

MOBILE ANTENNA HINT

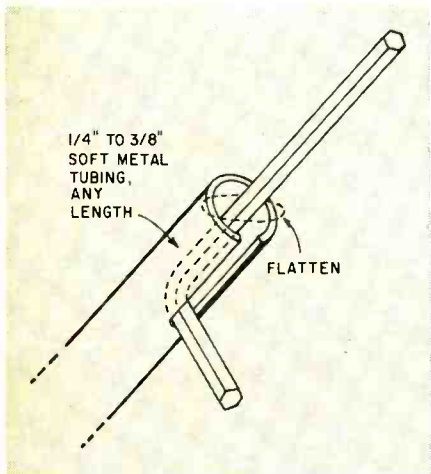
Many CB, ham and other two-way radio mobile whip antennas have a spring base. Inside the spring is a piece of braid or heavy stranded wire that connects its ends and prevents it from acting as an unwanted loading coil.



To insure reliable two-way contacts, add a second shorting braid or wire on the outside of the coil. Use rust-proof hose clamps to fasten the braid to the ends of the base.—*Richard Mollentine—WAØKKC*

EXTENSION FOR SETSCREW WRENCH

Is that setscrew (Allen, Bristol, etc.) way back in the works, hard to



get to? Make an extension by sawing a slot in one edge of a soft metal tube about as large as a pencil. Squeeze the tube so the wrench is locked in the slot.—*Paul F. Brown*



FREE Catalog Of The WORLD'S FINEST GOV'T SURPLUS ELECTRONIC BARGAINS

Now **BIGGER** and **BETTER** Than Ever!

MAIL THIS COUPON NOW!

NAME: _____
 ADDRESS: _____
 CITY: _____ STATE: _____ ZIP NO.: _____

FAIR RADIO SALES • Box 1105 • Lima, Ohio 45802

Circle 127 on reader service card

SCHOOL DIRECTORY

GET INTO ELECTRONICS

V.T.I. training leads to success as technicians, field engineers, specialists in communications, guided missiles, computers, radar and automation. Basic & advanced courses in theory & laboratory. Electronic Engineering Technology & Electronic Technology curricula both available. Associate degree in 20 mos. B.S. also obtainable. G.I. approved. Graduates in all branches of electronics with major companies. Start Feb., Sept. Dorms. campus. High school graduate or equivalent. Catalog.

VALPARAISO TECHNICAL INSTITUTE
 Dept. C, Valparaiso, Indiana 46383



distinguished graduates

hold important engineering and business administration posts throughout U.S. Professionally-oriented college with outstanding placement record. Four-quarter year permits degree in three years. Fine faculty. Modern labs. Small classes. 300-acre campus. Accredited. Approved for vets. Modest costs. Enter March, June, Sept., Jan. For Catalog, write Adm. Director.



TRI-STATE COLLEGE
 2429 College Avenue, Angola, Indiana 46703

Learn Electronics for your SPACE-AGE EDUCATION at the center of America's aerospace industry

No matter what your aerospace goal, you can get your training at Northrop Tech. in sunny Southern California.

COLLEGE OF ENGINEERING. Get your B.S. degree in engineering in just 36 months by attending classes year round. Most Northrop Tech graduates have a job waiting for them the day they're graduated!

A & P SCHOOL. Practical experience on real aircraft. One-year course prepares you for F. A. A. A & P certificate. WRITE TODAY FOR CATALOG.

NORTHROP INSTITUTE OF TECHNOLOGY
 1199 W. Arbor Vitae, Inglewood, Calif.



The First Really New INDOOR ANTENNAS!

Now, at last, your customers have a reason to get rid of their tired old droopy rabbit ears. The Gavin series of monitor antennas not only look better, they work better too.

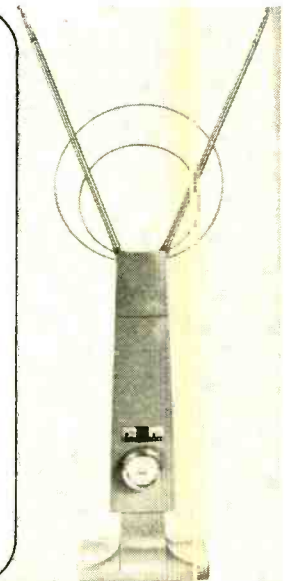
Check these quality features:

- TOWER DESIGN GETS UP WHERE THE SIGNAL IS FOR EXTRA POWER.
- GUARANTEED TO GIVE YOUR CUSTOMERS BETTER RECEPTION OR MONEY REFUNDED.
- ROTATING SCANNER — You can aim for best pictures without turning base. No danger of scratching furniture.
- HIGH IMPACT PLASTIC CASE WITH DEEP FELT PAD.
- UHF/VHF FUNCTION SWITCH AND PHASING SWITCH.

For more details, contact your GAVIN representative today, or call:



GAVIN INSTRUMENTS, INC.
 Subsidiary of ADVANCE ROSS CORP.
 Somerville, New Jersey 08876, U.S.A.
 Telephone: (201) 356-3500



Circle 128 on reader service card

MARKET CENTER

INVENTIONS & PATENTS

FREE "Directory of 500 Corporations Seeking New Products." For information regarding developments, sale, licensing of your patented/unpatented invention. Write: **RAYMOND LEE ORGANIZATION**, 230-U Park Avenue, New York City 10017.

INVENTIONS WANTED. Patented; Unpatented. **GLOBAL MARKETING**, 2420-AE 77th Ave., Oakland, Calif. 94605

ELECTRONICS

SOLAR FLYING SAUCERS. (Brand New—Solid State Engine—Fantastic Performance—flies for miles on sun's power—lifts animals—sends messages—parachutes—build easily for next to nothing with everyday materials—many sizes—many designs) Complete plans, descriptions, drawings. \$1.00. **SPACETRONICS**, Box 31043-RE, San Francisco, Calif. 94131

JAPANESE ELECTRONICS NEW PRODUCTS MONTHLY! Only \$1. Satisfaction/Refund. DEE 10639-RE Riverside, North Hollywood, Calif. 91602

300 WATT INVERTOR operates small appliances from 12 volt battery power. \$16.95. C. O. D.'s, deposit \$5.00. **CALEMCO**, 585 4th Street, San Fernando, Calif. 91341

POWER SUPPLY KITS \$2.75-\$8.50. 1000 watt flasher \$3.98. 10A triac \$1.75. Zeners, thermistors \$.25. Photocell-triac kit \$2.75. Diodes \$.05. Dimmer, motor control kit \$3.98. Nixie with drivers \$9.50. Phono motors \$.60. Catalog. **Murphy**, 204 Roslyn Ave., Carle Place, N. Y. 11514

SAVE "TV Color Servicing"—Buy dot bar generator. Was \$149.95—now \$99.95—will pay for itself many times over. Send check to **INSTRUMENT CORP.**, 35 Windsor Ave., Mineola, N. Y. 11501

CONVERT any television to sensitive Big-Screen Oscilloscope. Only minor changes required. No electronic experience necessary. Illustrated plans \$2.00. **RELCO-A25**, Box 10563, Houston, Texas 77018

"ARCTURUS" SALE

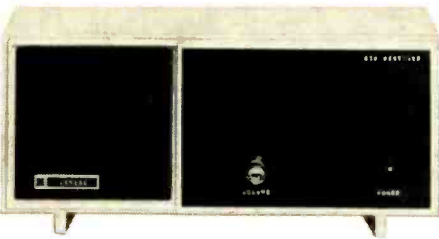
- 1700 transistor types at 39¢ each.
 - 40 watt germanium power transistor, same as Delco 501. 2N278 (etc.). Cat. #349. 59¢ each.
 - Color TV cartridge focus rectifier 6.5 kv. Used in every color TV. Cat. #CFR-20. 79¢ each.
 - Motorola 2500 ma. at 1000 piv. high voltage/current epoxy silicon rectifier, axial leads. Cat. #HEP-170. 49¢ each.
 - 2 Printed circuit I.F. transformers. 4 lug, 455 kc input and output. cat. #1909P4. 99¢ each.
 - RCA UHF transistor type TV tuners, KRK-120 (long-shaft) cat. #UHF-20; KRK-120 (short-shaft). cat. #UHF-21, each \$4.98.
 - RCA VHF transistor type TV tuners, KRK-146, cat. #VHF-74. \$9.99 each.
 - Transistorized U.H.F. tuners used in 1965 to 1967 TV sets made by Admiral, RCA, Motorola, etc. Removable gearing may vary from one make to another. Need only 12 volts d.c. to function. No filament voltage needed. Easy replacement units. Cat. #UHF-567. \$4.95.
 - U.H.F. Tuner-original units as used in TV sets such as RCA, Admiral, etc. covering channels 14 through 82, as part #94D173-2. Complete with tube. Drive gearing is removable. Can be used in most sets. Cat. #UHF-3. \$4.95.
 - Color yokes. 70" for all round color CRT's. Cat. #XRC-70, \$12.95. 90" for all rectangular 19 to 25" color CRT's. Cat. #XRC-90, \$12.95.
 - Kit of 30 tested germanium diodes. Cat. #100. 99¢.
 - Silicon rectifier, oetal based replacement for 5U4, 5Y3, 5AS4, 5AW4, 5T4, 5V4, 5Z4. With diagram. Cat. #Rect-1. 99¢ each.
 - 7", 90° TV bench test picture tube with adapter. No ion trap needed. Cat. #7BP7. \$7.99.
 - Tube cartons 6AU6 etc. size. \$2.15 per 100. 6SN7 etc. size. \$2.55 per 100. 5U4GB size, \$2.95 per 100. 5U4G size. 3¢ each.
- Send for complete free catalog. Include 4% of dollar value of order for postage. \$5 MINIMUM ORDER. Canadian check. 8% dollar differential.

ARCTURUS ELECTRONICS CORP.
502-22nd St., Union City, N.J. 07087
Dept. MRE
Phone: 201-864-5568

MR. SCA OPERATOR

NEED A RELIABLE SOURCE FOR HIGH QUALITY, LOW COST SCA RECEIVERS, OR SCA DEMODULATOR UNITS?

A new and proven sub-carrier demodulation scheme using old established principles is now practical due to recent component developments and mass production. The resultant reduction in cost is passed on to you.



MODEL SCA-6137 SINGLE FREQUENCY FM RECEIVER. Size: 12" x 5 1/2" x 4 1/2". Available from Stock. Price: \$69.95 (Quantity 1-9)

SCA-6137 FM Receiver Features:

- Range: 88 to 108 MHz • All Solid State Devices • RF Stage • 3 IF Stages • Automatic Frequency Control • Two 67 KHz Amplifier Stages • 67 KHz Ratio Detector • Adjustable Muting • Main/Sub-Carrier Switch • One Watt Audio Output • 4" Monitor Speaker • Provision for External Speaker • 117 Volt AC Operated.

Also available: SCA-3 sub-carrier demodulator IC Card with muting control. Size: 2 1/2" x 3" x 5/8". Operates on 6 to 12 Volts DC at 6 ma. Available from stock. Price: \$39.95 (Quantity 1-9)

Quantity discounts and detailed specifications are available to SCA operators.
Send orders and inquiries to:

JanZac Company; P.O. Box 177;
Stamford Conn. 06904
KenZac Company; P.O. Box 66251;
Houston, Texas 77006

ADVERTISING INDEX

RADIO-ELECTRONICS does not assume responsibility for any errors which may appear in the index below.

Allied Radio Corporation	85
Arrow Fastener Company, Inc.	86
Arcturus Electronics Corporation ..	98
Bell P/A Products Corporation	82
B & K Manufacturing Company (Division of Dynascan Corporation)	73
Brooks Radio and TV Corporation	94, 95
Burstein-Applebee Company	77
Caringella Electronics, Inc.	72
Castle TV Tuner Service, Inc.	85
Cleveland Institute of Electronics	16, 28-31
Cornell Electronics Company	100
CREI, Home Study Division of McGraw-Hill Book Company	64-67
Delta Products, Inc.	13, 17, 93
Edmund Scientific Company	99
EMC Electronic Measurement Corporation ..	72
Electro-Voice, Inc.	84
Enterprise Development Corporation	95
Fair Radio Sales	97
Gavin Instruments, Inc. (Subsidiary of Advance Ross Corporation)	97
GC Electronics Company	74
Grantham School of Electronics	1
Heald Colleges	87
Heath Company	88-91
International Crystal Mfg. Company	102
International Textbook Company	7
JFD Electronics Corporation	15
Kenwood	27
Lafayette Radio Electronics	81
Mallory Distributor Products Company (Distributor Sales Division)	5
Mosley Electronics, Inc.	12
Multicore Sales Corporation	96
Music Associated	87
Myriad Products Corporation	94
National Radio Institute	8-11
National Technical Schools	18-21
Oaktron	14
Olson Electronics, Inc.	72
Pennwood Numechron Company	93
Poly Paks	101
Quam-Nichols Company	92
Quietrole Company	96
RCA Institutes	46-49
RCA Electronic Components	Cover IV
Reading Improvement Program	95
Rye Industries, Inc.	16
Sams and Company, Inc. Howard W.	83
Schober Organ	74
Sencore	22
Shure Bros.	71, 73, 75
Sony Corp. of America	Cover III
Sonar Radio Corporation	14
Surplus Center	96
Sylvania (Subsidiary of General Telephone & Electronics)	Cover II
TV Tech Aids	93
Yeats Appliance Dolly Sales	12
Xcelite, Inc.	92
MARKET CENTER	98-101
Kenzac Company	
Solid State Sales	
United Radio Company	
Warren Electronic Components	
SCHOOL DIRECTORY	97
Northrop Institute of Technology	
Tri-State College	
Valparaiso Technical Institute	

Circle 130 on reader's service card

FIND BURIED TREASURE with most popular transistorized metal detector in the country. Treasure Probe available as kit (\$14.88), assembled (\$18.88), with powerful built-in speaker (\$24.88). Schematic, parts list, and step by step instructions, \$1.00. Ten day money back guarantee. Free catalog available. **TREASURE PROBE**, Dept. (RGA), P.O. Box 64, Lakewood, New Jersey 08710

JAPAN DIRECTORY. Electronics products and parts. General merchandise and Asia trade information. Just \$1.00 today. **IPPANO-KAISHA LTD.**, Box 6266, Spokane, Washington 99207

INTEGRATED CIRCUIT KITS: computer, audio, others. New catalog free. **KAYE ENGINEERING**, Box 3932-D, Long Beach, California 90803.

RECEIVING & INDUSTRIAL TUBES. TRANSISTORS. All Brands—Biggest Discounts. Technicians. Hobbyists, Experimenters—Request **FREE** Giant Catalog and **SAVE!** **ZALYTRON**, 469 Jericho Turnpike, Mineola, N.Y. 11501.

RADIO & TV TUBES 33¢ each. One year guaranteed. Plus many unusual electronic bargains. Free catalog. **CORNELL** 4217-E University, San Diego, California 92105

Discharge **IGNITION**, **PHOTOFASH**. Free catalog parts, kits. **TRANSPARK**, Carlisle, Mass. 01741

GENERAL

MAGNETS. All types. Specials—20 disc magnets, or 2 stick magnets, or 10 small bar magnets, or 8 assorted magnets, \$1.00. **MARYLAND MAGNET COMPANY**, 5412-G Gist, Baltimore, Maryland 21215.

TREASURE HUNTERS! PROSPECTORS! Relco's new instruments detect buried gold, silver, coins. Kits, assembled models. Transistorized. Weighs 3 pounds. \$19.95 up. Free catalog. **RELCO-A25**, Box 10839, Houston, Texas 77018

ANTIQUE 1926 BROADCASTER. RCA tubes 230, Franklin batteries, mike, wooden case. Display or museum. Best offer. **REHFUSS**, 427 Columbia Ave., Stratford, N. J. 08084

AUDIO - HI-FI

WRITE for highest discounts on components, recorders, tapes, from franchised distributors. Send for **FREE** monthly specials. **CARSTON**, RFD #3, Route 7, Brookfield, Conn. 06804

RENT 4-track open reel tapes—all major labels—3,000 different—free brochure. STEREO-PARTI, 55 St. James Drive, Santa Rosa, Ca. 95401

HI-FI COMPONENTS, Tape Recorders, at guaranteed "WE will not be undersold" prices. 15-day moneyback guarantee. Two-year warranty. **NO** Catalog. Quotations Free. **HI-FIDELITY CENTER**, 239R East 149th St., N.Y., N.Y. 10451

TAPE RECORDER SALE. Brand new nationally advertised brands, \$10.00 above cost. Amazing discounts on stereo components. **ARKAY ELECTRONICS**, 1028-E Commonwealth Avenue, Boston, Mass. 02215

Tapemates makes available to you **ALL 4-TRACK STEREO TAPES**. All labels—postpaid to your door—at tremendous savings. For free brochure write: **TAPEMATES CLUB**, 5280 RE West Pico Blvd., Los Angeles, Calif. 90019.

WANTED

QUICK CASH . . . for Electronic EQUIPMENT, COMPONENTS, unused TUBES. Send list now! **BARRY**, 512 Broadway, New York, N. Y. 10012, 212 WALKER 5-7000.

UNUSUAL BARGAINS BY MAIL SHOPPING MART

A selection of products available by mail for readers of Radio Electronics.

All merchandise sold on a money-back guarantee. Order direct by Stock No. Send check or M. C.

GIANT FREE CATALOG 148 PAGES

SEE YOUR MUSIC IN DAZZLING ACTION with Music Vision



DRAMATIC BREAKTHROUGH IN AUDIOVISUAL ENJOYMENT

See your favorite music translated into fantastically colorful patterns: each note creating its own unique, everchanging image in perfect time with the music. Easily attached to stereo, radio, tape recorder. Rent 25¢ in coin for 16-page booklet. #9096EH

No. 71.009EH 8" DO-IT-YOURSELF KIT \$22.50 Ppd.
No. 71.030EH 8" SET 45.00 Ppd.
No. 85.181EH WALNUT CABINET MODEL 99.50 FOB



NEW! PROJECTION KALEIDOSCOPE

Infinite variety of brilliant color patterns which do not repeat. Specially designed 9" diam. liquid wheel. 3" projection lens and Edmund Special Effects Projector make it all possible. Easily operated. Large screen image at short projection distance for backgrounds, light shows, parties, dances, etc. Front or rear projection. Stock No. 71.121EH \$94.50 Postpaid
ACCESSORY WHEEL (9" Diam.) \$15.00 Ppd.

SOLID MULTI-COLORED GLASS
Stock No. 71.122EH



3" ASTRONOMICAL TELESCOPE

See stars, moon, phases of Venus, planets close up. 60 to 180 power—famous Mt. Palomar reflecting type Aluminized & overcoated 3" diameter f/10 primary mirror, ventilated cell. Equipped with 60X eyepiece and mounted on under scope, hardwood tripod. FREE: "STAR CHART"; "HANDBOOK OF HEAVENS"; "HOW TO USE YOUR TELESCOPE".
Stock No. 85.050EH \$29.95 Ppd.
4 1/2" REFLECTOR TELESCOPE
Stock No. 85.105EH \$84.50 FOB
6" REFLECTOR TELESCOPE
Stock No. 85.086EH \$199.50 FOB



Ni-Cd BATTERY BARGAIN

Terrific value—slightly used gov't surplus. Lightweight 5 cell, 6 volt, 4 Amp-hour battery with almost unlimited life. Extremely high current output. Recharges in 1 hour with Edmund kit. Won't deteriorate when left discharged. Minimum maintenance—few drops of water per year. Rugged, shock-and-vibration resistant nylon case. Delivered partially charged, filled with electrolyte. 3 1/2" x 2" x 6 1/2" lb.
Stock No. 70.942EH (battery) \$15.00 Ppd.
Stock No. 70.807EH (charger kit) \$ 8.00 Ppd.

ORDER BY STOCK NUMBER • SEND CHECK OR MONEY ORDER • MONEY-BACK GUARANTEE

EDMUND SCIENTIFIC CO. 300 EDCORP BUILDING BARRINGTON, NEW JERSEY 08007

Circle 131 on reader service card

YOUR SERVICE AND QUALITY LEADER

AVALANCHE MODE TRANSISTORS, used for TRIGGERING SCR's & TRIACS with diagrams. 3/\$1.00

UNIUNCTIONS

Similar to 2N2419 Rbb of 5-7, stand off ratio of .6 and Ip of 12, with data sheet \$1.50

ZENERS

1 Watt 6.8-68V \$.40
10 Watt 6.200V \$.75

MOUNTING HDWE KITS

These kits are used to mount our SCR's, zeners, & rectifiers etc.

6 x 32 (3 + 12 Amp rectifiers, 7 Amp SCR's) 6 sets/\$1.00
1/4 x 28 (20 + 40 Amp rectifiers (20 Amp SCR's) 4 sets/\$1.00

PRV	AMP
100	.07
200	.09
400	.12
600	.18
800	.22
1000	.35

EPOXY AND CONTROLLED AVALANCHE RECTIFIERS
1 AMP

N-CHANNEL PLASTIC TO-18 FET'S. Low noise, low leakage, gate current, gain to 9000, 1Mohms. \$1.00

IN2326 voltage & temperature compensating diodes 4/\$1.00



POST OFFICE BOX 74D
SOMERVILLE, MASS. 02143
TELEPHONE (617)547-4005

Send For Our Latest Catalog Featuring Transistors and Rectifiers
325 Elm Street, Cambridge, Mass.

TRIACS

TO-66 5 AMPS	PRV	
	100	.90
	200	1.40
	300	1.75
	400	2.25
	500	2.60

CADMIUM SELENIDE PHOTO CONDUCTIVE CELLS. Dark resistance of 500 megohms, Sensitivity of 1-4.99 µa/ft candle with data sheet \$1.00

500 Hfe PLASTIC TRANSISTORS (NPN) TO-18. S1 unit sim to 2N3665. 4/\$1.00

HIGH-VOLTAGE NPN 150V VBCBO at 2.5A, hi gain in TO-66 pack \$.75

2N1163 a TO-3 PNP GERMANIUM TRANSISTOR rated at 35v and a gain of 50 at 25 amps. \$1.75

Silicon Power Rectifiers

PRV	3A	12A	40A
100	.09	.30	.75
200	.16	.50	1.25
400	.20	.70	1.50
600	.30	1.00	1.80
800	.40	1.25	
1000	.55	1.50	

INTEGRATED CIRCUITS



9030 8 bit memories \$4.95

LINEAR CIRCUITS

FM IF AMPLIFIERS \$.90
702C WIDE BAND DC AMP. \$3.50
709C OPERATIONAL AMP. \$4.50
710C HI SPEED DIFF. COMPARATOR \$5.00
711C DUAL COMPARATOR \$2.75

DIGITAL RTL CIRCUITS

2-914 QUAD 2 INPUT GATE \$1.25
900 BUFFER \$1.25
925 OUAL 2 INPUT GATE EXPANDER \$1.25
923 JK FLIP FLOP \$1.25

NEON LIGHT OF NIXIE TUBE DRIVERS. An NPN, TO-18, Si Transistor with a V_{CEO} of 120V \$1.00

Silicon Control Rectifiers TO-66 pack Stues

PRV	3A	7A	20A	70A
50	.35	.45	.70	
100	.50	.65	1.00	4.00
200	.70	.95	1.30	8.00
300	.90	1.25	1.70	
400	1.20	1.60	2.10	12.00
500	1.50	2.00	2.50	
600	1.80	2.40	3.00	16.00
700	2.20	2.80	5.00	

Terms: FOB Cambridge Mass. Send check or Money Order. Rate companies 30 days net. Include Postage, Average Wt. per package 1/2 lb. No COD's. Minimum Order \$3.00

Circle 132 on reader service card

SILICON RECTIFIER SALE

IMMEDIATE DELIVERY
FULLY GTD NEWEST TYPE
AMERICAN MADE FULLY TESTED



1 AMP TOP HAT AND EPOXIES

PIV	SALE	PIV	SALE	PIV	SALE
50	.05	800	.18	1800	.80
100	.07	1000	.27	2000	1.20
200	.08	1200	.40	3000	1.40
400	.10	1400	.52	4000	1.85
600	.14	1600	.67		

"SILICON POWER DIODE STUD MOUNT"

PIV	3A	6A	12A	50A	100A	160A
50	.06	.16	.20	.50	.85	2.25
100	.07	.21	.25	.73	1.05	2.65
200	.09	.29	.38	1.23	1.60	3.50
400	.15	.39	.49	1.45	2.50	4.25
600	.19	.53	.73	1.75	3.75	6.50
800	.29	.74	.95	2.20		
1000	.38	.85	1.10	2.60		

SPECIALS! Stud Rect. 25 AMP-500 PIV—**\$1.05 Ea. or 10 for \$9.00 Special**

Fil. Trans. 117V at 6.3V C.T. 10 AMP Special \$1.25

Sangamo Type DCM 10000 MFD 25 VDC \$.85 Ea.

Heat Sink 2 LBS 500 AMP your cost \$1.40 Value \$7.00

Westinghouse 160 AMP, 500 PIV SILICON HI-POWER STUD RECTIFIER IN1666.

Limited quantity. \$5.10 ea. 10 for \$45.00

100 Different Precision Resistors 1/2—1—2 Watt 1/2%—1% TOL \$1.25

Asst transistor Kit. P.N.P.—N.P.N. All popular types. Unchecked 100 for \$2.95 500 for \$9.95

Computer Grade Condenser 15,500 MFD 12 VDC American Mfg. .75 ea.

NEW DIODE KIT ALL POPULAR TYPES IN34, IN34A, IN48, IN60, IN64 etc. 100 for \$ 4.00 BEST QUALITY 500 for \$15.00

Money back guarantee. \$2.00 min. order. Include additional \$ for postage. Send check or money order. C.O.D. orders 25% down.

Warren Electronic Components

230 Mercer St., N. Y., N. Y. 10012 • 212 OR 3-2620

Circle 133 on reader service card

MARKET CENTER

EDUCATION/ INSTRUCTION

COMPUTER PROGRAMMING—the big opportunity career—new recognized correspondence course. No maths needed. Free brochure. CANADIAN INSTITUTE OF SCIENCE AND TECHNOLOGY, V63 Adelaide St. W., Toronto.

SHIP RADIO OFFICER TRAINING. Ships have been held up awaiting needed personnel. Train now at Long Beach, the home of the Queen Mary. Radio officers earn to \$1800.00 monthly. Approved for veterans. Write for free information. WESTERN TECHNICAL INSTITUTE, 5459 Atlantic Avenue, Long Beach, California 90805, Desk B.

FCC First Class License in six weeks—nation's highest success rate—approved for Veterans Training. Write ELKINS INSTITUTE, 2603E Inwood Road, Dallas, Texas 75235

Independent News Company, Inc. is pleased to announce a Retail Display Plan which includes Radio-Electronics as part of a group of magazines available for the earning of a Display Allowance.

To obtain details and a copy of the formal contract please write to Marketing Department, Independent News Co., Inc., 575 Lexington Avenue, New York 10022 (Attention Mr. Paul Hendershott). Under the Retail Display Plan in consideration of your acceptance and fulfillment of the terms of formal contract to be sent to you upon request, you will receive a Display Allowance of 10% of the cover price per copy of each magazine in the group sold by you. This plan will become effective with all issues of the magazine group delivered to you subsequent to the date your written acceptance is received and accepted by our Company.

ONE YEAR GUARANTEE! TUBES!

33¢

PER TUBE

100 OR MORE TUBES

30¢ ea.

Special!
With Every \$10 Order

25¢ PER TUBE

Your Choice Of These Sizes

- 6AG5
- 6W4
- 6AU6
- 6CB6
- 6J6
- 6SN7
- 6S4

- 6D6 OZ4
- 6DA4 1B3
- 6DE6 1H5
- 6DQ6 1J3/1K3
- 6EA7 1L4
- 6EM5 1T4
- 6F6 1U4
- 6FQ7 1X2
- 6GH8 3BZ6
- 6H6 3DG4
- 6J5 5U4
- 6J6 5U8
- 6K6 5V4
- 6S4 5Y3
- 6SA7 6A6
- 6SH7 6A8
- 6SJ7 6AB4
- 6SK7 6AC7
- 6SL7 6AF4
- 6SN7 6AG5
- 6SQ7 6AK5
- 6U7 6AL5
- 6U8 6AN8
- 6V6 6AQ5
- 6W4 6AT6
- 6W6 6AT8
- 6AU4 6X4
- 6AU5 6X8
- 6AU6 7B6
- 6AV6 7C5
- 6AW8 7N7
- 6AX4 7Y4
- 6BA6 10DE7
- 6BC5 12AE6
- 6BG6 12AT7
- 6BJ6 12AU7
- 6BL7 12AX7
- 6BN4 12BA6
- 6BN6 12BE6
- 6BN8 12BH7
- 6BQ6 12C5
- 6BQ7 12SN7
- 6BZ6 12W6
- 6C4 25L6
- 6C6 25Z6
- 6CB6 35W4
- 6CD6 84/6Z4
- 6CG7 5687
- 6CG8 6350
- 6CM7 6463
- 6CZ5 7044

Tubes are New or Used and So 4 Marked. Lab Tested, Ind. Boxed, Branded & Code Dated



DEPT. RE 2 4217 UNIVERSITY SAN DIEGO, CALIFORNIA 92105

Prestige & Success as an ELECTRONICS EXPERT!



HOME STUDY COURSES
TV SERVICING \$3.50
RADIO SERVICING \$3.00
BOTH COURSES \$6.00

2 STATION INTERCOM



12⁹⁵
A.C. 110 VOLT TRANSISTORIZED INTERCOM!

ONE YEAR GUARANTEE! DUMONT TUBES!



Brand New Except Glass!

TUBE TYPE	DUD DEP.	TUBE PRICE
19XP4	3.00	21.95
21AMP4	1.00	14.95
21CBP4	1.00	14.95
21CEP4	3.00	18.95
23FP4	5.00	24.95
21FJP22	20.00	79.95
23EGP22	35.00	119.95
25AP22	27.50	99.95
23AHP4	5.00	24.95
24AEP4	1.00	22.95

Please remit full tube price plus dud deposit with order. Dud deposit will be returned immediately upon postpaid return of dud. No C.O.D.'s on picture tubes. All duds returned for refund must be under full vacuum.

FREE! CORNELL'S NEW CATALOG! WRITE FOR YOUR COPY TODAY!

RED & BLACK TUBE CARTONS

High Gloss, Clay Coated, Built in Diag. Partitions

SIZE	TUBE SIZE	10 CARTONS	100 CARTONS
MIN.	6AU6	.29	2.59
GT.	6SN7	.39	3.49
LG.GT	5U4GB	.59	5.29
G.	5U4G	.89	7.99

NO SUBSTITUTIONS WITHOUT YOUR PERMISSION!
YOUR ORDER FREE IF NOT SHIPPED WITHIN 24 HRS.

Terms: Orders over \$5.00: Add 3c per tube shipping. Prepay in full and avoid C.O.D. charges. Send \$3.00 deposit on C.O.D. orders. Orders under \$5.00: Add 3¢ per tube plus 50¢ handling. Canadian and Foreign Orders: add approx. postage. No C.O.D. orders. Combine varied orders to bring order over \$5.00.

SERVICEMEN • EXPERIMENTERS!

IF YOU WISH TO PURCHASE BRAND NEW TUBES

RECEIVING—SPECIAL PURPOSE BC TUBES AT OUTSTANDING MONEY SAVING VALUES. WE CARRY THE LARGEST STOCK OF OBSOLETE AND THE LATEST TYPES OF EUROPEAN AND OTHER IMPORTED TUBES. WE HAVE THE MOST UP TO DATE TUBES LISTED PLUS THE HARD TO GET TYPES. DON'T CONFUSE OUR TUBES WHICH ARE NEW WITH THE PULLOUTS AND REJECTS. SEND FOR OUR CATALOG.

UNITED RADIO COMPANY
ESTAB. 1920
56 FERRY ST., NEWARK, N.J. 07105

ACCREDITED CANADIAN ELECTRONICS TRAINING day, night, home study courses. Free booklet. **RADIO COLLEGE OF CANADA**, 461 King St. West, Toronto 2B, Ontario, Canada

GOVERNMENT SURPLUS

JEEPS Typically From \$53.90 . . . Trucks From \$78.40 . . . Boats, Typewriters, Airplanes, Multimeters, Oscilloscopes, Transceivers, Electronics Equipment, Used, 100,000 Bid Bargains Direct From Government Nationwide. Complete Sales Directory and Surplus Catalog \$1.00 (Deductible First \$10.00 Order) **SURPLUS SERVICE**, Box 820-REL, Holland, Michigan 49423

MAIL EARLY IN THE DAY!



ZIP CODE NUMBERS BELONG IN ALL ADDRESSES

YOUR POSTMASTER

CLASSIFIED COMMERCIAL RATE (for firms or individuals offering commercial products or services). 70¢ per word . . . minimum 10 words.

NON-COMMERCIAL RATE (for individuals who want to buy or sell personal items) 30¢ per word . . . no minimum.

Payment must accompany all ads except those placed by accredited advertising agencies. 10% discount on 12 consecutive insertions, if paid in advance. Misleading or objectionable ads not accepted. Copy for April issue must reach us before February 14.

WORD COUNT: Include name and address. Name of city (Des Moines), or state (New York) counts as one word each. Zone or Zip Code numbers not counted. (We reserve the right to omit Zip Code if space does not permit.) Count each abbreviation, initial, single figure or group of figures or letters as a word. Symbols or groups such as 8-10, COD, AC, etc., count as one word. Hyphenated words count as two words. Minor over-wordage will be edited to match advance payment.

CLASSIFIED ADVERTISING ORDER FORM

1	2	3	4	5
6	7	8	9	10
11	12	13	14	15
16	17	18	19	20
21	22	23	24	25
26	27	28	29	30
31	32	33	34	35

No. of Words { @ .30 Non-Commercial Rates } = \$ _____
 { @ .70 Commercial Rate } = \$ _____

Total Enclosed \$ _____

Insert _____ time(s)

Starting with _____ Issue

NAME _____

ADDRESS _____

CITY _____ STATE _____ ZIP _____

SIGNATURE _____

MAIL TO: RADIO-ELECTRONICS, CLASSIFIED AD DEPT., 200 PARK AVE. SOUTH, NEW YORK, N.Y. 10003

\$100,000 "EYE SEE" BONANZA BY POLY PAK INTEGRATED CIRCUITS!



PENNY SALE!

By far the biggest Integrated Circuit Sale in our history. **NOBODY!** That's right **NOBODY** under-sells Poly Paks. Imagine — buy 1 Integrated Circuit at our bargain price and get the 2nd one for **ONLY 1¢** . . . that's right **ONE CENT!** **NO LIMIT PER ITEM!** Every item guaranteed as advertised. All include data on Integrated Circuits, schematics, and/or hookups, and as much as 40 circuits. **THIS OFFER IS LIMITED!**

Fairchild No.	EACH	1¢ MORE
<input type="checkbox"/> 900	Buffer	1 for 1.49 2 for 1.50
<input type="checkbox"/> 902	R-S Flip Flop	1 for 1.49 2 for 1.50
<input type="checkbox"/> 903	3 In. Gate Nand/Nor	1 for 1.49 2 for 1.50
<input type="checkbox"/> 903-903*	3 Input gate Nand/Nor	1 for 1.49 2 for 1.50
<input type="checkbox"/> 904-904*	Half adder	1 for 1.49 2 for 1.50
<input type="checkbox"/> 910	Dual Two Input Gate	1 for 1.29 2 for 1.30
<input type="checkbox"/> 914	Dual Two Input Gate	1 for 1.29 2 for 1.30
<input type="checkbox"/> 914-914*	Dual Two Input Gate	1 for 1.49 2 for 1.50
<input type="checkbox"/> 915	Dual 3 Input Gate Nand/Nor	1 for 1.49 2 for 1.50
<input type="checkbox"/> 923	JK-Flip Flop	1 for 1.49 2 for 1.50
<input type="checkbox"/> 923-923*	JK-Flip Flop	1 for 1.69 2 for 1.70
<input type="checkbox"/> 925	Dual 2 Input Gate, Expander	1 for 1.49 2 for 1.50
<input type="checkbox"/> 927	Quad Inverter	1 for 1.49 2 for 1.50
<input type="checkbox"/> 930	Dual 4 Input Gate Nand/Nor	1 for 1.49 2 for 1.50
<input type="checkbox"/> 933	Dual Input Gate, Expander	1 for 1.49 2 for 1.50
<input type="checkbox"/> 944	Dual 4 Input Power Gate	1 for 1.49 2 for 1.50
<input type="checkbox"/> 945	Clocked Flip Flop	1 for 1.69 2 for 1.70
<input type="checkbox"/> 946	Quad 2 Input Gate Nand/Nor	1 for 1.49 2 for 1.50
<input type="checkbox"/> 948	Clocked Flip Flop	1 for 1.69 2 for 1.70
<input type="checkbox"/> 950	AC Binary	1 for 1.98 2 for 1.99
<input type="checkbox"/> 952	Dual 2 Pininput Inverter Gate	1 for 1.29 2 for 1.30
<input type="checkbox"/> 954	Dual 4 Input and Gate	1 for 1.29 2 for 1.30
<input type="checkbox"/> 955	8 Input and Gate w 2 output	1 for 1.29 2 for 1.30
<input type="checkbox"/> 956	Dual 2 Input Buffer	1 for 1.29 2 for 1.30
<input type="checkbox"/> 957	Dual Rank (hold) Flip Flop	1 for 1.98 2 for 1.99
<input type="checkbox"/> 961	Dual 4 Input Gate w/expander	1 for 1.49 2 for 1.50
<input type="checkbox"/> 962	Triple Gate	1 for 1.49 2 for 1.50
<input type="checkbox"/> 963	Triple Gate	1 for 1.49 2 for 1.50

* Two identical IC's in one package

1 AMP TOP HAT AND EPOXIES

PIV	Sale	PIV	Sale	PIV	Sale
50	5¢	800	19¢	1800	82¢
100	7¢	1000	29¢	2000	1.25
200	8¢	1200	42¢	3000	1.50
400	10¢	1400	55¢	4000	1.95
600	15¢	1600	69¢		

Actual Size

1 AMP MICROMINIATURE SILICON RECTIFIERS

PIV	Sale	PIV	Sale
50	5¢	600	19¢
100	7¢	800	21¢
200	8¢	1000	29¢
400	10¢		

'GLASS AMP' ONE AMP SILICON RECTIFIERS

PIV	Sale	PIV	Sale
50	5¢	600	19¢
100	7¢	800	21¢
200	8¢	1000	29¢
400	12¢	1200	45¢

NE-2 NEON BULBS 20 for \$1

Terms: add postage. Rated: net 30, cod's 25%
 Phone Orders: Wakefield, Mass. (617) 245-3829
 Retail: 211 Albion St., Wakefield, Mass.

POLY PAKS P.O. BOX 942R LYNNFIELD, MASS 01940

Buy 10 PAKS & CHOOSE 1 FREE

- 50 COILS AND CHOKES, if, rf, ant, osc, peaking, etc. \$1
- 65 HALF WATTERS, to 1 meg, 5% popular values to \$1
- 60 HQ-QUALITY RESISTORS, 1/2, 1, 2W asst values...\$1
- 10 RCA PHONO PLUGS & JACK SETS, tuners, etc...\$1
- \$25 SURPRISE PAK: transistors, rect, diodes, etc...\$1
- 2-PC INFRA-RED DETECTOR & FILTER SET science/proj
- 2 FIELD EFFECT TRANSISTORS, n channel, hobby...\$1
- 50 TERMINAL STRIPS, 1 to 8 lug types...\$1
- 3 PHOTO ELECTRIC CELLS, hi, imp., schematic...\$1
- 3 TRANS'OR AMPLIFIER, WIRED, 3x2x3/4" schematic...\$1
- 10 PRINTED CIRCUIT BOARDS, copper clad, 100 uses...\$1
- 10 TRANSISTOR SOCKETS, for pnp & npn types...\$1
- 10 PANEL SWITCHES, toggle, slide, micro, no arcy...\$1
- 40 CORNING "LOW NOISE" resistors, popular 5%...\$1
- 40 "MICRO" RESISTORS, 1/10W, 5% Hobby mus...\$1
- 50 GERMANIUM GLASS DIODES, 1N34, 1N48 no test...\$1
- 40 TOP HAT SILICON RECTIFIERS, no test asst value...\$1
- 25 EPOXY RECTIFIERS, silicon asst, no test...\$1
- 40 PRECISION RESISTORS, 1/2-2W, 1% asst values...\$1
- 30 TRANSISTORS, rf, if, audio, osc, no test...\$1
- 60 TUBULAR CONDENSERS, to .5mf to 1KV, asst...\$1
- 50 DISC CONDENSERS, to .05mf npo, temp coef, asst...\$1
- 60 TUBE SOCKETS, receptacles, plugs, audio, etc...\$1
- 30 POWER RESISTORS, to 25 watts, to 24K ohms...\$1
- 6 "IBM" COMPUTER BOARDS, many trans, diodes...\$1
- 3 2N3563 TRANSISTORS, npn, 600mc, 100hfe, epox...\$1
- 10 VOLUME CONTROLS, to 1 meg, switch too...\$1
- 10 ELECTROLYTICS, to 100mf, tubulars too, asst...\$1
- 50 RADIO & TV KNOBS, asst colors & styles...\$1
- 10 TRANS'OR ELECTROLYTICS to 100mf, asst value...\$1
- 40 "MICRO" CONDENSERS, for transistor circuits...\$1

For The Experimenter!

International EX Crystal & EX Kits

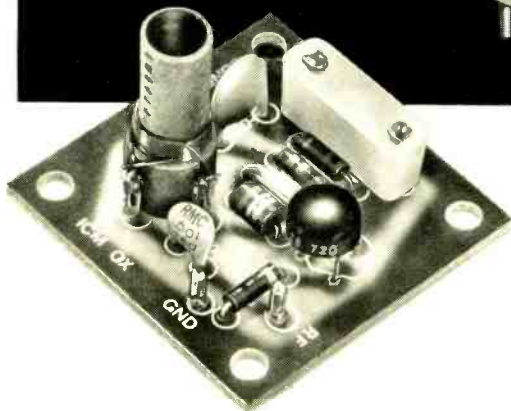
OSCILLATOR / RF MIXER / RF AMPLIFIER / POWER AMPLIFIER

Type EX Crystal

Available from 3,000 KHz to 60,000 KHz. Supplied only in HC 6/U holder. Calibration is $\pm .02\%$ when operated in International OX circuit or its equivalent. (Specify frequency)



\$3.95



OX OSCILLATOR

Crystal controlled transistor type.
Lo Kit 3,000 to 19,999 KHz
Hi Kit 20,000 to 60,000 KHz
(Specify when ordering)

\$2.95

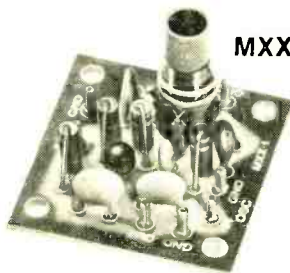
MXX-1 Transistor RF Mixer **\$3.50**
A single tuned circuit intended for signal conversion in the 3 to 170 MHz range. Harmonics of the OX oscillator are used for injection in the 60 to 170 MHz range.
Lo Kit 3 to 20 MHz Hi Kit 20 to 170 MHz
(Specify when ordering)

SAX-1 Transistor RF Amplifier **\$3.50**
A small signal amplifier to drive MXX-1 mixer. Single tuned input and link output.
Lo Kit 3 to 20 MHz
Hi Kit 20 to 170 MHz
(Specify when ordering)

PAX-1 Transistor RF Power Amplifier **\$3.75**
A single tuned output amplifier designed to follow the OX oscillator. Outputs up to 200 mw can be obtained depending on the frequency and voltage. Amplifier can be amplitude modulated for low power communication. Frequency range 3,000 to 30,000 KHz.

BAX-1 Broadband Amplifier **\$3.75**
General purpose unit which may be used as a tuned or untuned amplifier in RF and audio applications 20 Hz to 150 MHz. Provides 6 to 30 db gain. Ideal for SWL, Experimenter or Amateur.

Write for complete catalog.



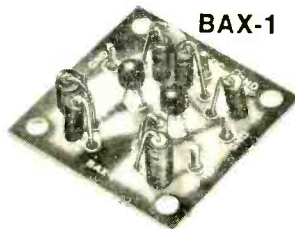
MXX-1



SAX-1



PAX-1

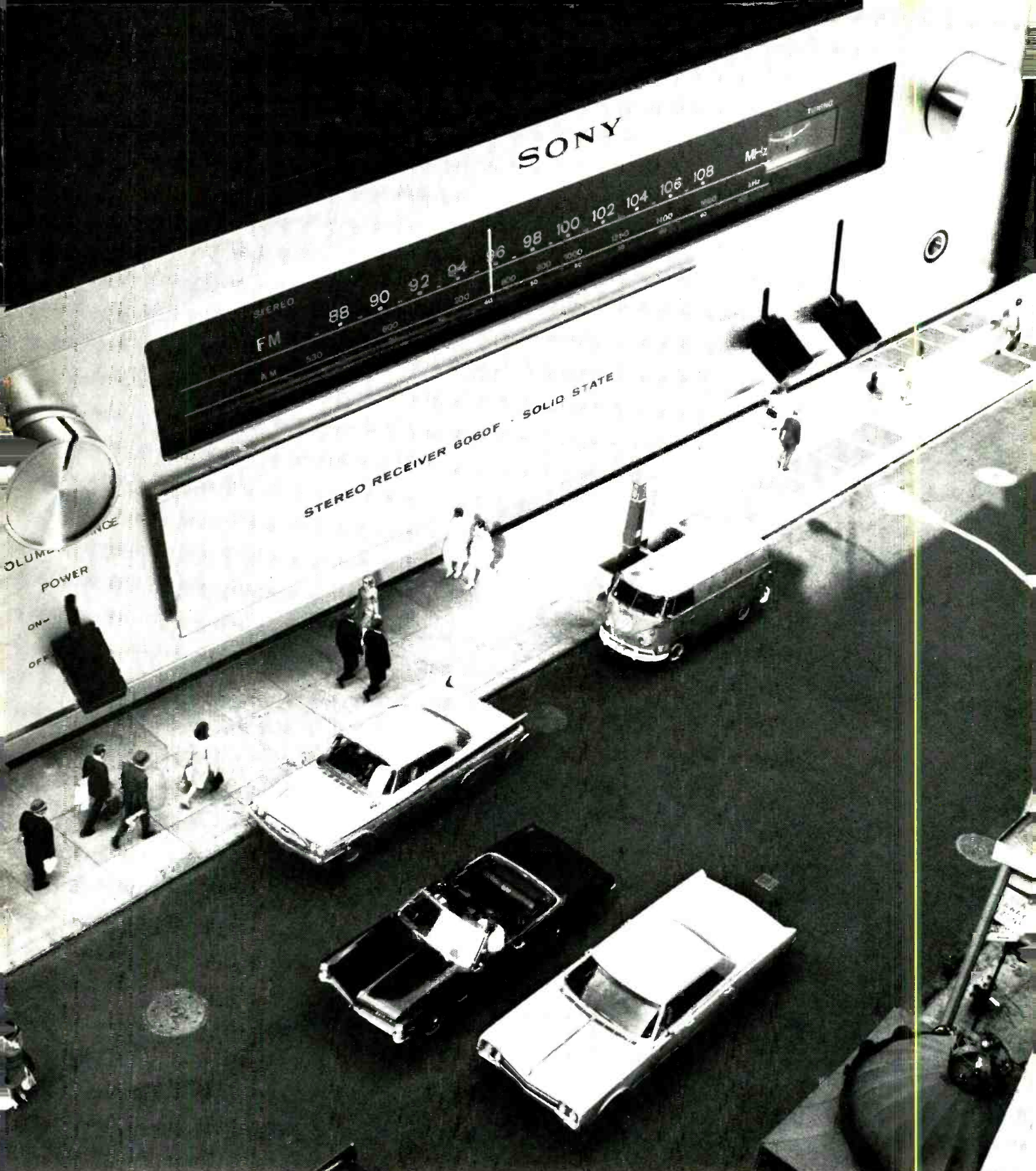


BAX-1



CRYSTAL MFG. CO., INC.
10 NO. LEE • OKLA. CITY, OKLA. 73102

Circle 148 on reader's service card



The Sony Side of the Street

(it's any place they're showing the new 6060 receiver)

The Sony®6060 receiver is the brightest thing that's happened to stereo hi-fi in a long while. A superb performer on FM stereo; FM and AM broadcasts; records and tapes. It will brighten up the music in your life.

Here's what Sony built: *Amplifier* — 110 watts IHF power into 8 ohms. Distortion less than 0.2% at rated output. *The tuner* — sensitivity 1.8uV. Exclusive solid-state i.f. filters never need alignment, provide razor-sharp selectivity, 80 dB; superb cap-

ture ratio, 1.5 dB. Spurious signal rejection, 90 dB. *Abundant control facilities:* automatic stereo reception; zero-center tuning meter; front panel headphone jack; switches for tape monitoring, muting, speaker selection, tape or Aux, input, loudness — the works.

At \$399.50 (suggested list) the 6060 outshines receivers costing up to \$500. Get a Sony disposition.

Sony Corporation of America, 47-47 Van Dam St. L.I.C. N.Y. 11101

Circle 149 on reader's service card

www.americanradiohistory.com

Because we beat the heat you can play it cool with the 6LQ6/6JE6C...

Yes, you play it cool when you replace a 6JE6A, B or C tube in the demanding horizontal-deflection-amplifier socket of your customer's color TV set. RCA's 6LQ6/6JE6C Novar beam power tube beats the overheating problem common to the other tubes.

As a matter of fact, it can actually withstand 200 W plate dissipation for 40 seconds because of design improvements that include repositioned getters, cavity plate designed for better plate dissipation, and larger diameter screen grid wire which reduces screen grid temperature and improves the high voltage cutoff characteristic.

So play it cool. Replace with the RCA 6LQ6/6JE6C. And watch your customers warm up. More confidence from them... fewer call-backs for you.

Innovations and improvements that make your service operation more reliable, efficient and profitable are our constant aim. See your Authorized RCA Tube Distributor for quality RCA receiving tubes.

RCA Electronic Components,
Harrison, N.J. 07029



RCA